

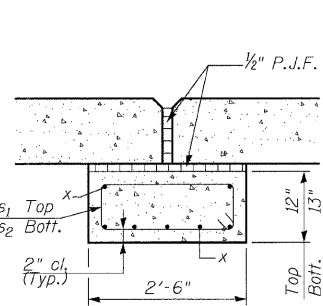
HALF LONG SECTION
Dimensions are along \bar{C} Culvert

REINFORCEMENT BACK FACE

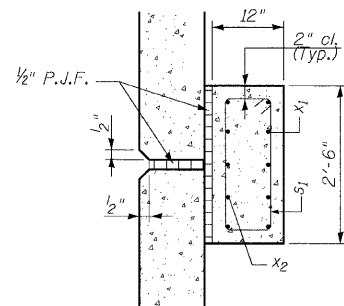
* 9x5-#6 h_{17} bars at 7" cts. S Wall
9x5-#6 h_{18} bars at 7" cts. C Wall
9x5-#6 h_{19} bars at 7" cts. N Wall

Note: S Wall = South Wall
C Wall = Center Wall
N Wall = North Wall

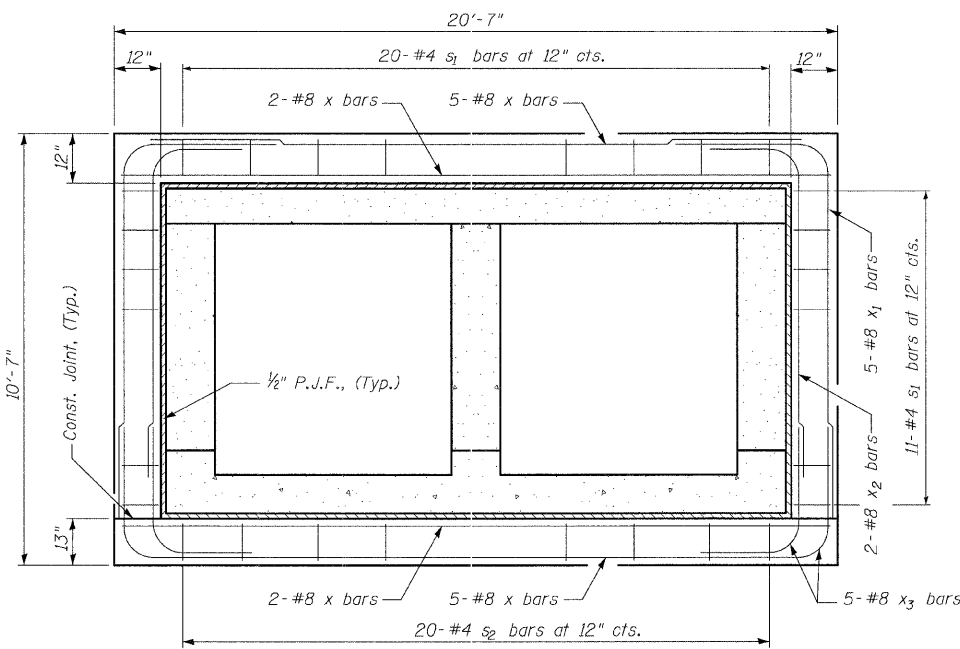
** 9x4-#6 h_{20} bars at 7" cts. S Wall
9x4-#6 h_{21} bars at 7" cts. C Wall
9x4-#6 h_{22} bars at 7" cts. N Wall



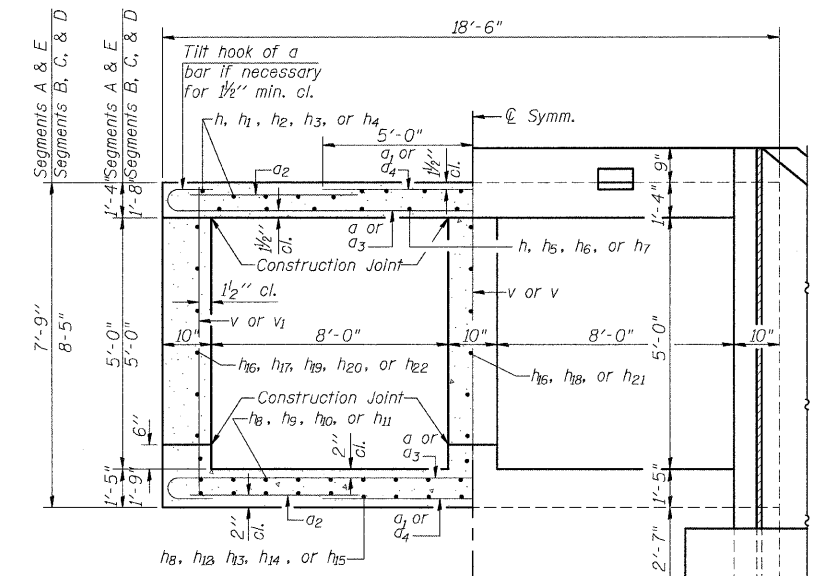
SECTION THROUGH TOP AND BOTTOM SLAB



SECTION THROUGH SIDEWALLS



SECTION THROUGH BOX AT COLLAR



HALF SECTION THRU BARREL

HALF END ELEVATION

MINIMUM BAR LAP
(Barrel)

#4 bar	=	1'-4"
#5 bar	=	1'-8"
#6 bar	=	2'-0"
#7 bar	=	2'-9"
#8 bar	=	3'-8"
#9 bar	=	4'-7"

SETTLEMENT COLLAR

DESIGNED	C.M.W.
CHECKED	J.S.A.
DRAWN	B.D.M.
CHECKED	C.M.W.



Hoelscher Engineering, P.C.

11 Executive Drive Suite 12
Fairview Heights, Illinois 62208
(618)624-8610 FAX: (618)624-8611

REVISIONS	
NAME	DATE

ILLINOIS DEPARTMENT OF TRANSPORTATION
CULVERT SECTIONS AND DETAILS
WEST CORBIN STREET OVER WOOD RIVER TRIBUTARY
F.A.P. 310 SECTION 05-00016-03-BR
MADISON COUNTY
STATION 40+21.99
S.N.060-6853