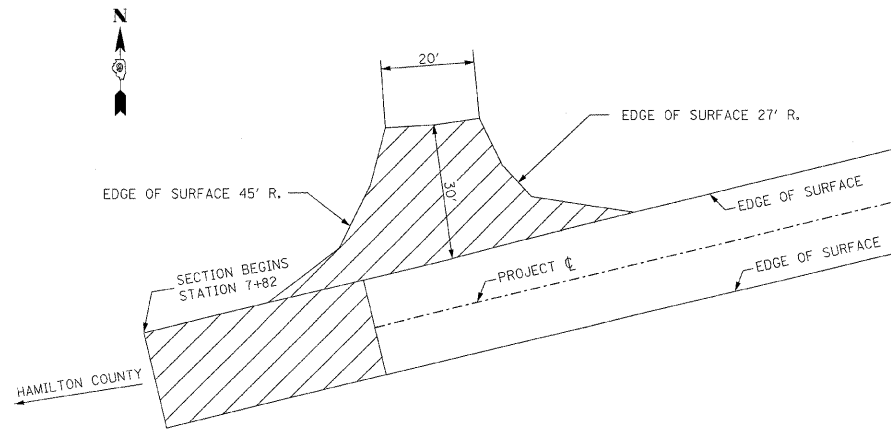


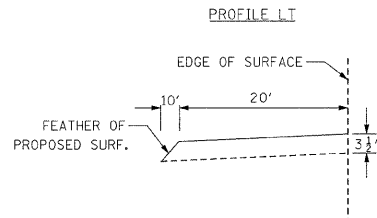
DETAILS OF SURFACING AT INTERSECTIONS AND SIDEROADS

F.A.S.	SECTION	COUNTY	TOTAL SHEETS	SHEET NO.
883	06-00102-00-RS	WHITE	6	3
FED. ROAD DIST. NO. 9		ILLINOIS	NORRIS CITY WEST	
LEC JOB # H081002WH			CONTRACT # 99348	

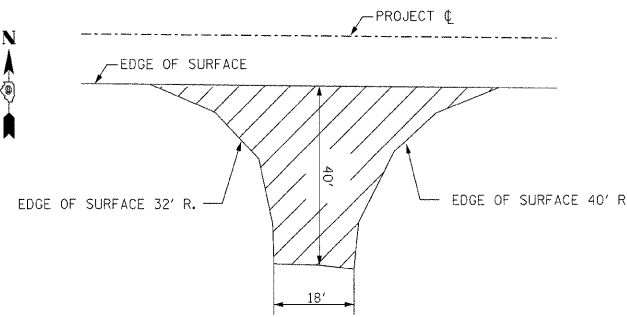
DETAIL OF TAPER STA. 7+82 TO STA. 8+32
DETAIL OF INTERSECTION 8+51 LT



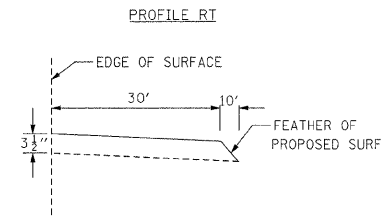
NOTE: THE QUANTITY SHOWN FOR HOT-MIX ASPHALT SURFACE COURSE, MIX "C", N50 INCLUDES 11.8 TONS OF MATERIAL FOR THE TAPER FROM STATION 7+82 TO STATION 8+32. IT ALSO INCLUDES 26.2 TONS OF MATERIAL FOR THE SIDEROAD LT. APPROACH AND RADII.



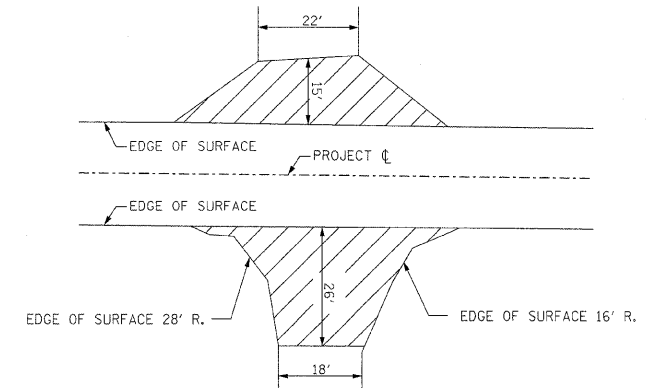
DETAIL OF INTERSECTION RT. STA. 21+53



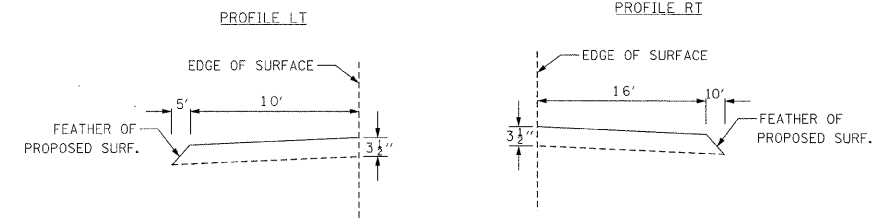
NOTE: THE QUANTITY SHOWN FOR HOT-MIX ASPHALT SURFACE COURSE, MIX "C", N50 INCLUDES 27.7 TONS OF MATERIAL FOR THE SIDEROAD APPROACH AND RADII.



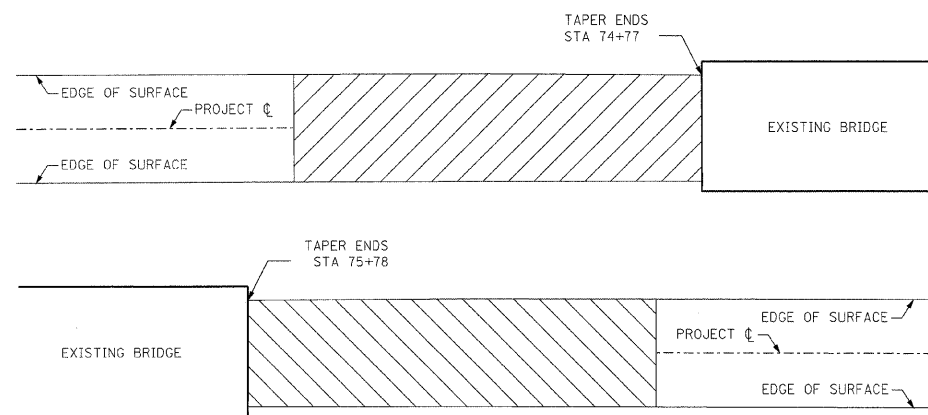
DETAIL OF INTERSECTION LT. STA. 48+20
AND RT. STA. 48+26



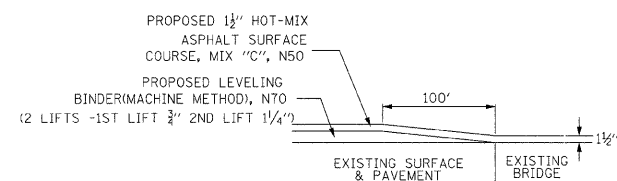
NOTE: THE QUANTITY SHOWN FOR HOT-MIX ASPHALT SURFACE COURSE, MIX "C", N50 INCLUDES 17.3 TONS OF MATERIAL FOR THE SIDEROAD RT. APPROACH AND RADII. IT ALSO INCLUDES 13.2 TONS OF MATERIAL FOR THE SIDEROAD LT. APPROACH AND RADII.



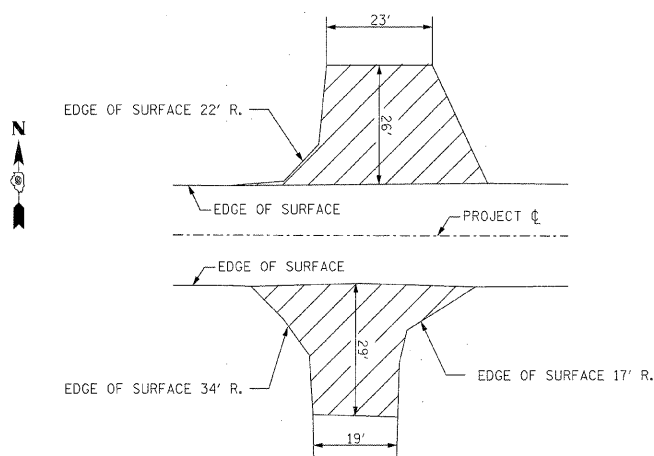
DETAIL OF TAPER STA. 73+77 TO STA. 74+77
& STA. 75+78 TO STA. 76+78



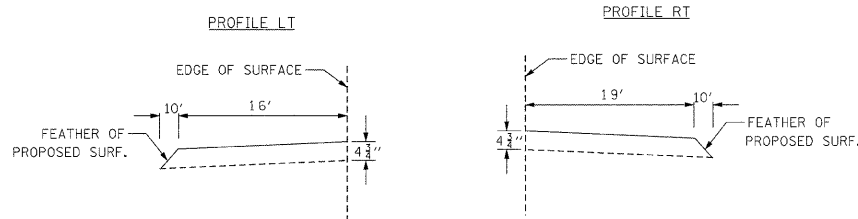
BRIDGE TAPER DETAIL
STA 73+77 TO STA 74+77 &
STA 75+78 TO STA 76+78



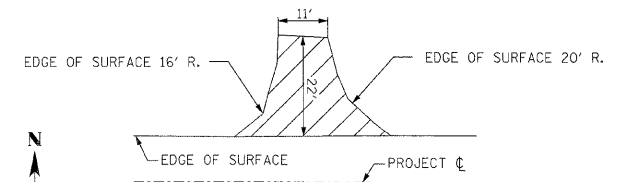
DETAIL OF INTERSECTION RT. STA. 114+10
AND LT. STA. 114+14



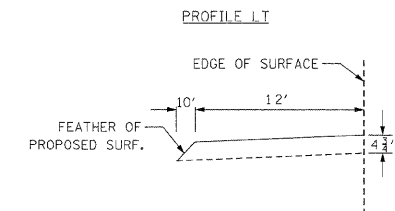
NOTE: THE QUANTITY SHOWN FOR HOT-MIX ASPHALT SURFACE COURSE, MIX "C", N50 INCLUDES 22.5 TONS OF MATERIAL FOR THE SIDEROAD RT. APPROACH AND RADII. IT ALSO INCLUDES 25.1 TONS OF MATERIAL FOR THE SIDEROAD LT. APPROACH AND RADII.



DETAIL OF INTERSECTION LT. STA. 121+13



NOTE: THE QUANTITY SHOWN FOR HOT-MIX ASPHALT SURFACE COURSE, MIX "C", N50 INCLUDES 11.7 TONS OF MATERIAL FOR THE SIDEROAD APPROACH AND RADII.

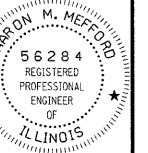


323 W. 3RD ST.
P.O. BOX 160
MT. CARMEL, IL
62863
PHONE:
(618)-262-8651
FAX:
(618)-263-3327

405 W. STATE ST.
SUITE 1
PRINCETON, IN
47670
PHONE:
(812)-386-7611
FAX:
(812)-385-2812



PROFESSIONAL
DESIGN FIRM
LAND SURVEY &
PROFESSIONAL
ENGINEERING
CORPORATION
184-000887
(62-032435)(35-002769)



AARON M. MEFFORD
NAME
Aaron M. Mefford
SIGNATURE
DATE
10-2-08
11-30-09
EXPIRES