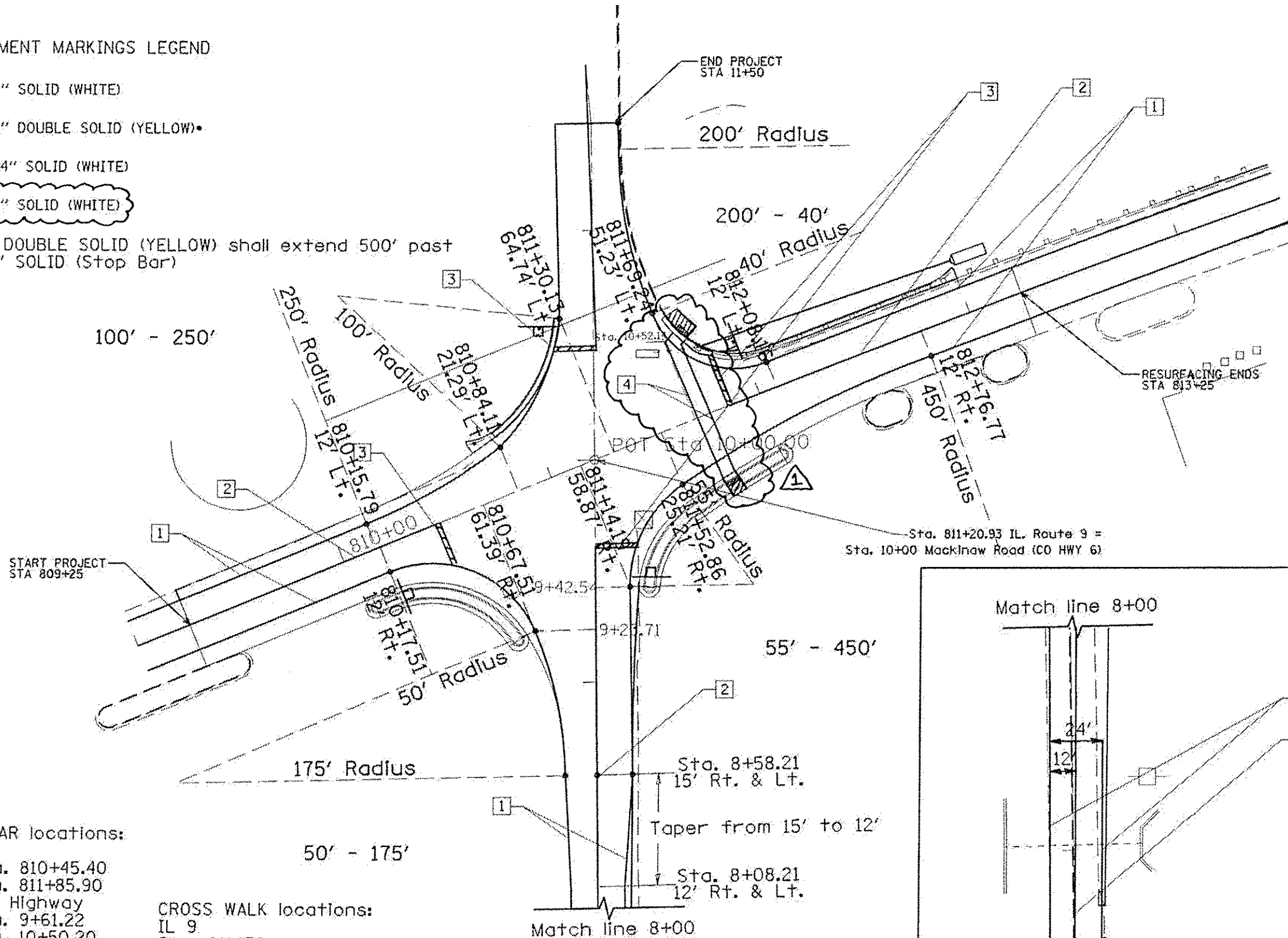




PAVEMENT MARKINGS LEGEND

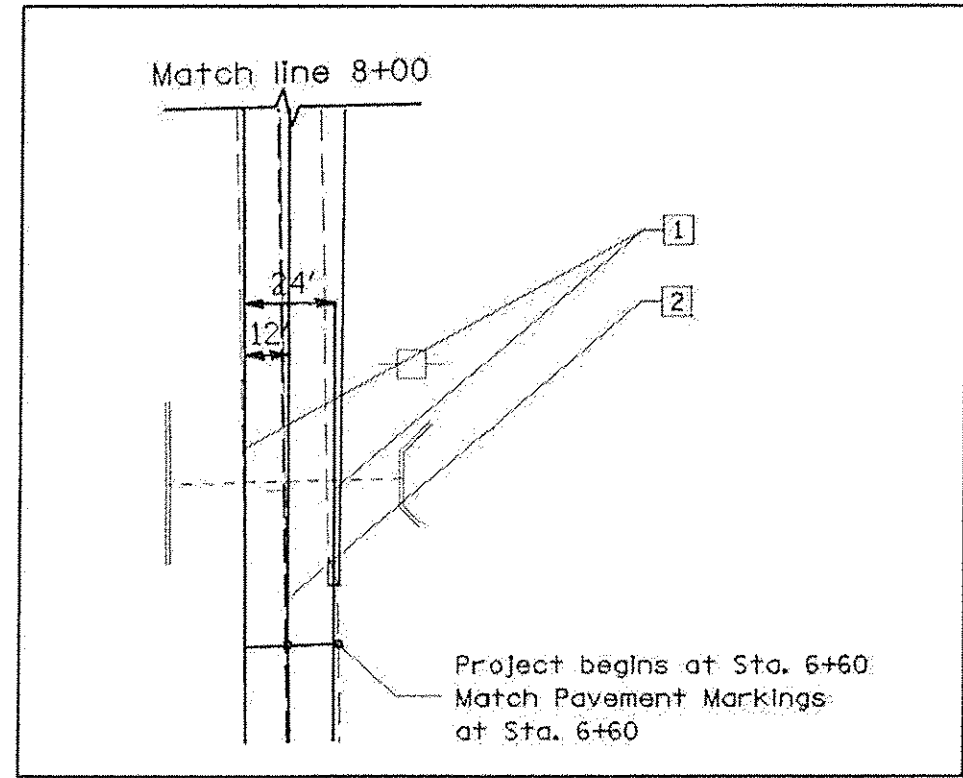
- 1 4" SOLID (WHITE)
- 2 4" DOUBLE SOLID (YELLOW)
- 3 24" SOLID (WHITE)
- 4 6" SOLID (WHITE)

* 4" DOUBLE SOLID (YELLOW) shall extend 500' past 24" SOLID (Stop Bar)



STOP BAR locations:
 IL 9
 Rt. Sta. 810+45.40
 Lt. Sta. 811+85.90
 County Highway
 Rt. Sta. 9+61.22
 Lt. Sta. 10+50.20

CROSS WALK locations:
 IL 9
 Sta. 811+70
 Sta. 811+76



SCALE

REVISOR 12-23-13

FILE NAME: c:\p\work\pav\dot\m\ar\dot\l\0307076\04.dwg	USER NAME: a.ecel	DESIGNED: -	REVISED: -	STATE OF ILLINOIS DEPARTMENT OF TRANSPORTATION	PAINT PAVEMENT MARKINGS	F.A.P. RTE. 693	SECTION 120N	COUNTY TAZEWELL	TOTAL SHEETS 51	SHEET NO. 22	
Default	Plot Scale: 1/8"=1'-0"	DRAWN: -	REVISED: -			SCALE: -	SHEET OF SHEETS: STA. 809+25 TO STA. 812+75	ILLINOIS FEDERAL AID PROJECT CONTRACT NO. 68805			
	Plot Date: 12/22/2013	CHECKED: -	REVISED: -								
		DATE: -	REVISED: -								