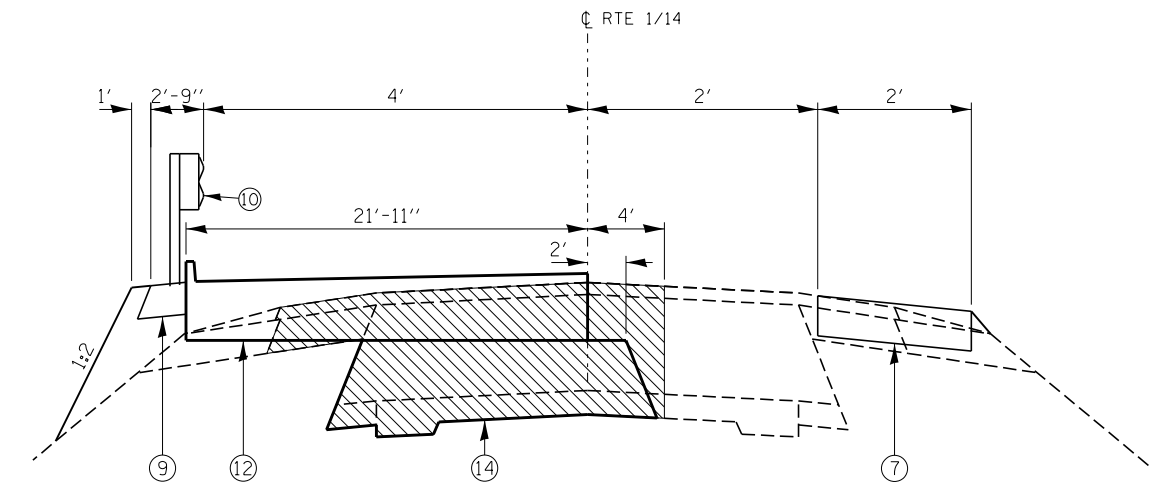
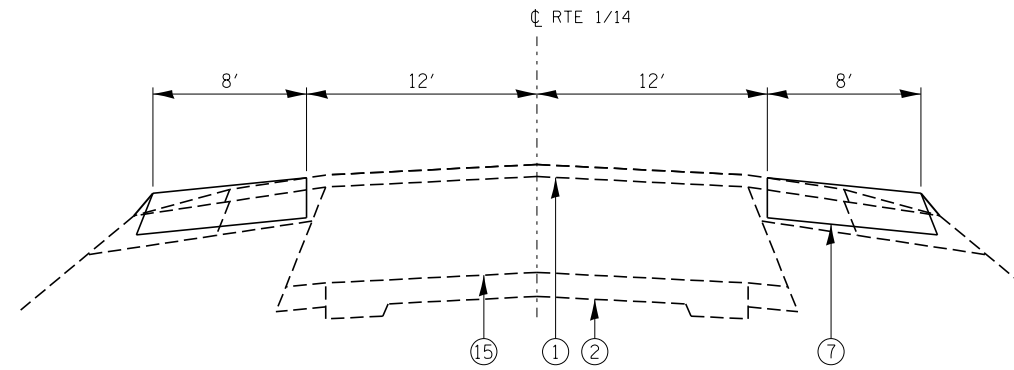


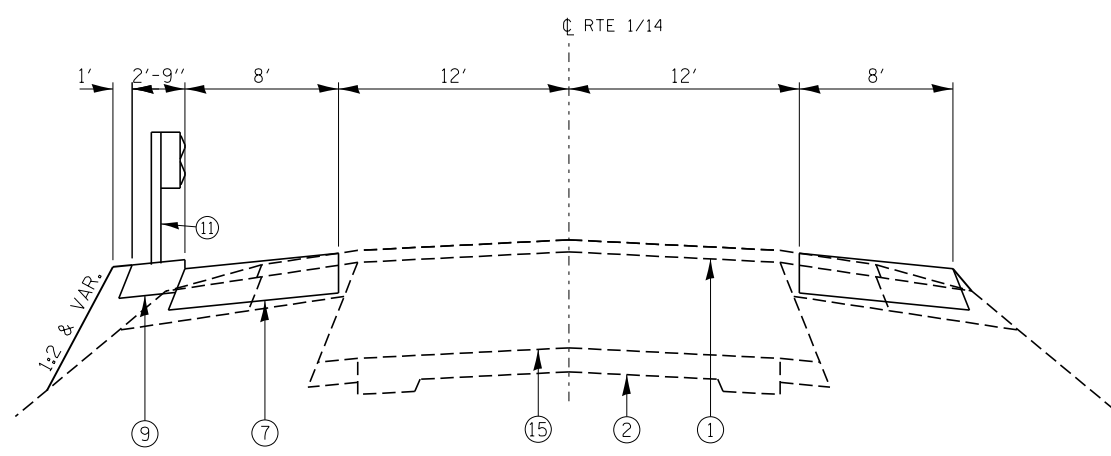
EXISTING CROSS SECTION
 STA. 333+80.00 TO STA. 336+17.00
 STA. 336+43.00 TO STA. 338+75.00



PROPOSED STAGE 1 CROSS SECTION
 STA. 335+57.50 TO STA. 335+93.50
 STA. 336+57.00 TO STA. 336+93.00



PROPOSED STAGE 1 CROSS SECTION
 STA. 333+80.00 TO STA. 334+49.13
 STA. 338+02.38 TO STA. 338+75.00



PROPOSED STAGE 1 CROSS SECTION
 STA. 334+49.13 TO STA. 335+57.50
 STA. 336+93.00 TO STA. 338+02.88

LEGEND

- ① EXISTING HMA OVERLAY (1 1/2" Min)
- ② EXIST CONCRETE PAVEMENT (9X6X9)
- ③ EXISTING AGGREGATE SHOULDERS
- ④ EXISTING HMA SHOULDERS 6"
- ⑤ HOT-MIX ASPHALT SURFACE COURSE, MIX "D", N90 (1 1/2" Min)
- ⑥ LEVELING BINDER (MACHINE METHOD), IL-9.5FG, N90 (3/4" MIN)
- ⑦ HMA BASE COURSE 10"
- ⑧ HMA SHOULDERS 2 1/4"
- ⑨ HMA SHOULDERS 8"
- ⑩ TRAFFIC BARRIER TERMINAL, TYPE 6
- ⑪ STEEL PLATE BEAM GUARD RAIL, TYPE A, 6 FOOT POST
- ⑫ BRIDGE APPROACH PAVEMENT CONNECTOR (FLEXIBLE) OR BRIDGE APPROACH SLAB
- ⑬ EXISTING AGGREGATE WEDGE SHOULDERS
- ⑭ POROUS GRANULAR EMBANKMENT
- ⑮ EXISTING HMA BINDER COURSE VARIABLE THICKNESS

	HMA MIXTURE REQUIREMENTS			
LOCATION(S):	IL RTE 1/14 WIDENING	IL RTE 1/14 SURFACE	IL RTE 1/14 LEVELING BINDER	IL RTE 1/14 SHOULDERS
MIXTURE USE(S):	HMA BASE COURSE	HMA SURFACE COURSE	LEVELING BINDER (MM), IL 9.5 FG N90	HOT-MIX ASPHALT SHOULDERS, 8"
AC/PG:	PG 64-22	PG 64-22	PG 64-22	PG 58-22
RAP % (MAX):	SEE SPECIAL PROVISIONS	SEE SPECIAL PROVISIONS	SEE SPECIAL PROVISIONS	SEE SPECIAL PROVISIONS
DESIGN AIR VOIDS:	4% @ Ndes 90	4% @ Ndes 90	4% @ Ndes 90	2% @ Ndes 30
MIXTURE COMPOSITION: (GRADATION MIXTURE):	IL 19.0	IL 9.5	IL 9.5 FG	HMA SHOULDERS
FRICTION AGGREGATE:	NONE	MIXTURE D	NONE	NONE
MIXTURE WEIGHTS:	112 LBS \ SY \ INCH THICKNESS	112 LBS \ SY \ INCH THICKNESS	112 LBS \ SY \ INCH THICKNESS	112 LBS \ SY \ INCH THICKNESS

FILE NAME = D978266-sht-typical.dgn	USER NAME = *USER*	DESIGNED - L.F.S.	REVISED -
HAMPSON, LENZINI AND RENWICK, INC. 3085 STEVENSON DRIVE, SUITE 201 SPRINGFIELD, ILLINOIS 62703 ILLINOIS PROFESSIONAL DESIGN FIRM LS / PE / SE CORP. 184.000959		DRAWN - T.W.K.	REVISED -
PLOT SCALE = *SCALE*		CHECKED - J.W.F.	REVISED -
PLOT DATE = 9/17/2013		DATE - 08/15/13	REVISED -

**STATE OF ILLINOIS
 DEPARTMENT OF TRANSPORTATION**

**TYPICAL SECTIONS
 ILLINOIS ROUTE 1/14**

SCALE: SHEET NO. 1 OF 2 SHEETS STA. TO STA.

F.A.P.	SECTION	COUNTY	TOTAL SHEETS	SHEET NO.
332	5B-1	WHITE	51	9
CONTRACT NO. 78266				
ILLINOIS FED. AID PROJECT				