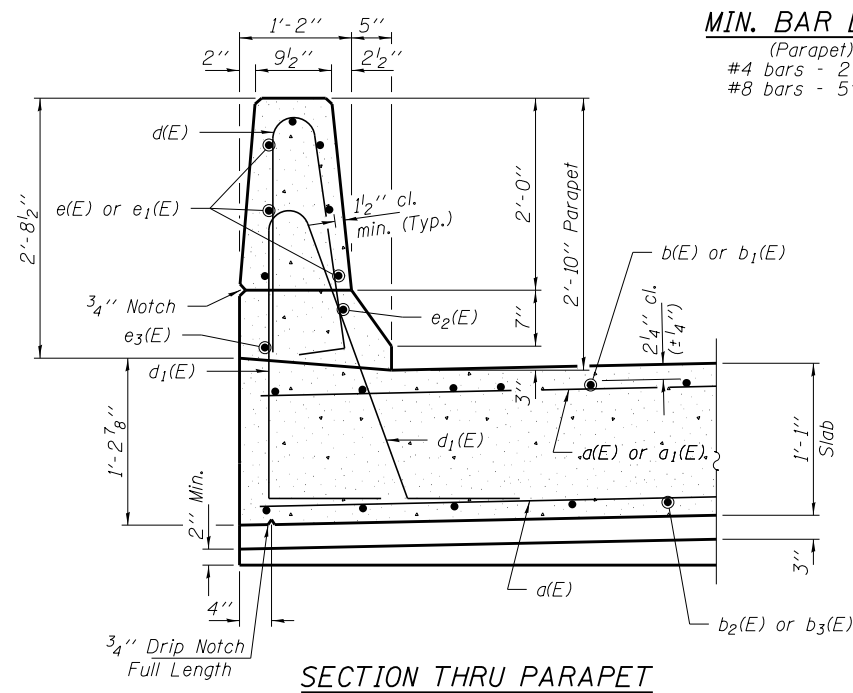


INSIDE ELEVATION OF PARAPET

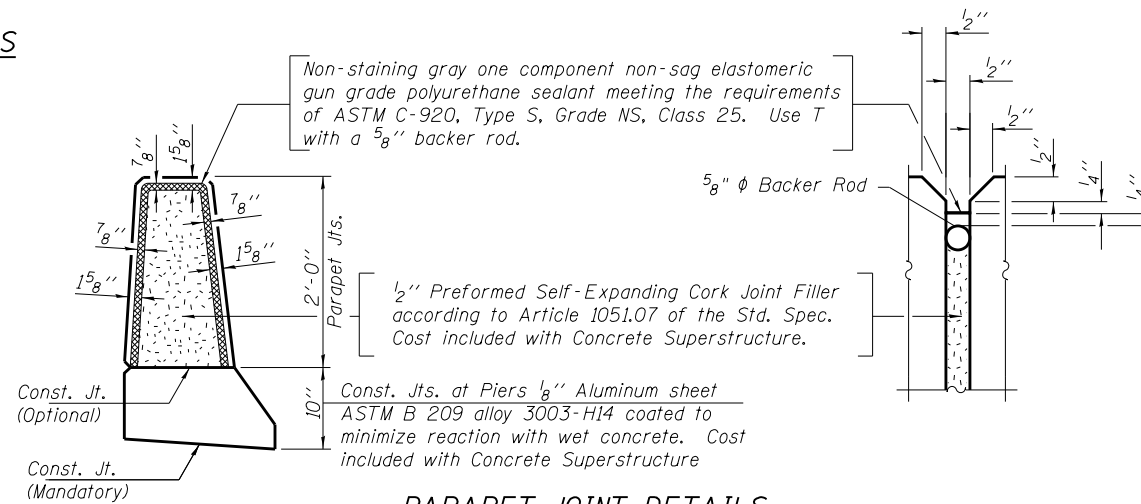
Note:
Bars indicated thus 1x3-#4 etc. indicates
1 lines of bars with 3 lengths per line.



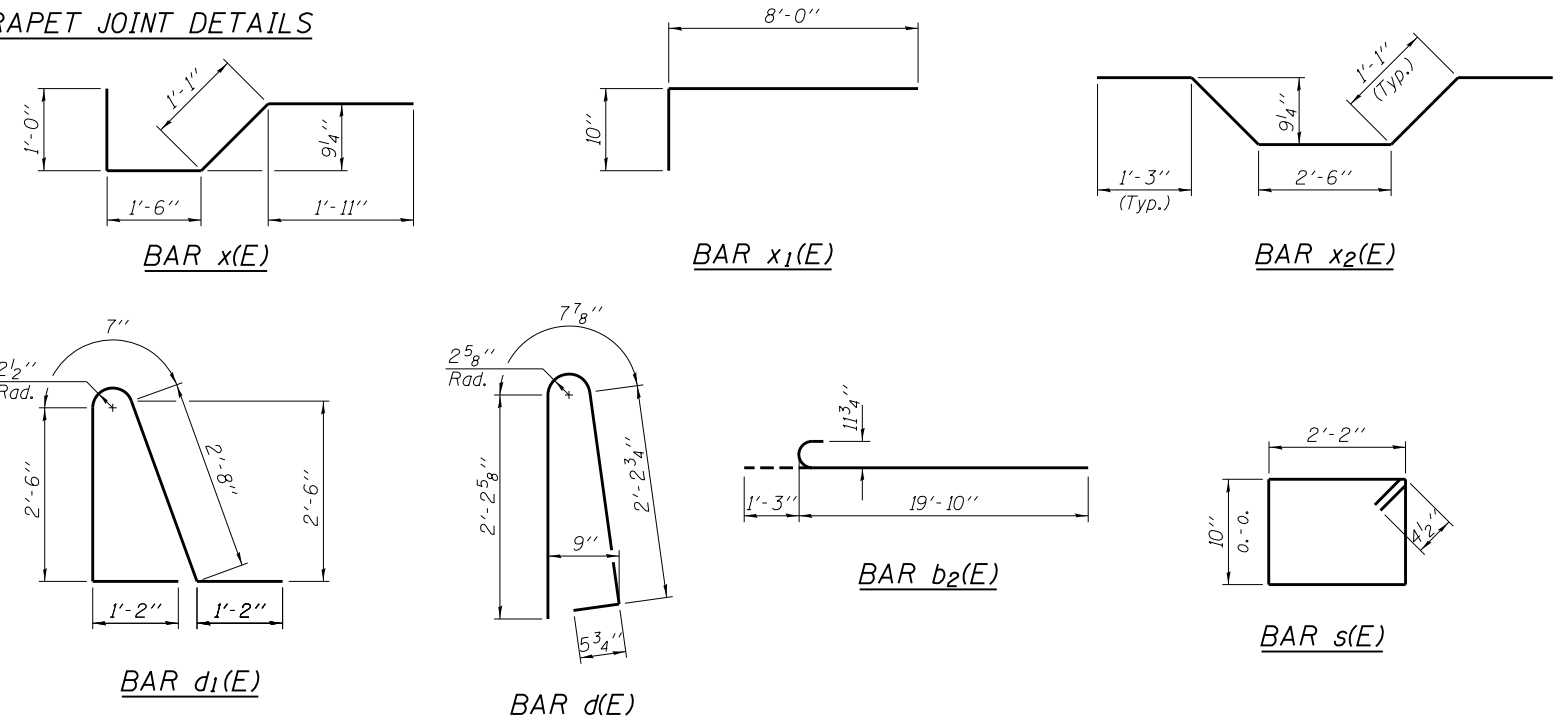
SECTION THRU PARAPET

MIN. BAR LAPS

(Parapet)
#4 bars - 2'-0"
#8 bars - 5'-2"



PARAPET JOINT DETAILS



FILE NAME = \$FILE\$	USER NAME =	DESIGNED - T.J.A.	REVISED -
HAMPTON, LENZINI AND RENWICK, INC. 3035 STEVENSON DRIVE, SUITE 201 SPRINGFIELD, ILLINOIS 62703 ILLINOIS PROFESSIONAL DESIGN FIRM LS / PE / SE CORP. 184.000959	PLOT SCALE =	CHECKED - S.M.S.	REVISED -
	PLOT DATE = 9/17/2013	DRAWN - D.A.B.	REVISED -
		CHECKED - M.D.C.	REVISED -

**STATE OF ILLINOIS
DEPARTMENT OF TRANSPORTATION**

**SUPERSTRUCTURE DETAILS
STRUCTURE NO. 097-0079**

SHEET NO. 6 OF 15 SHEETS

FAP	SECTION	COUNTY	TOTAL SHEETS	SHEET NO.
332	5B-1	WHITE	51	30
IL RTE 1/14 OVER CROOKED CR.		CONTRACT NO. 78266		
ILLINOIS FED. AID PROJECT				