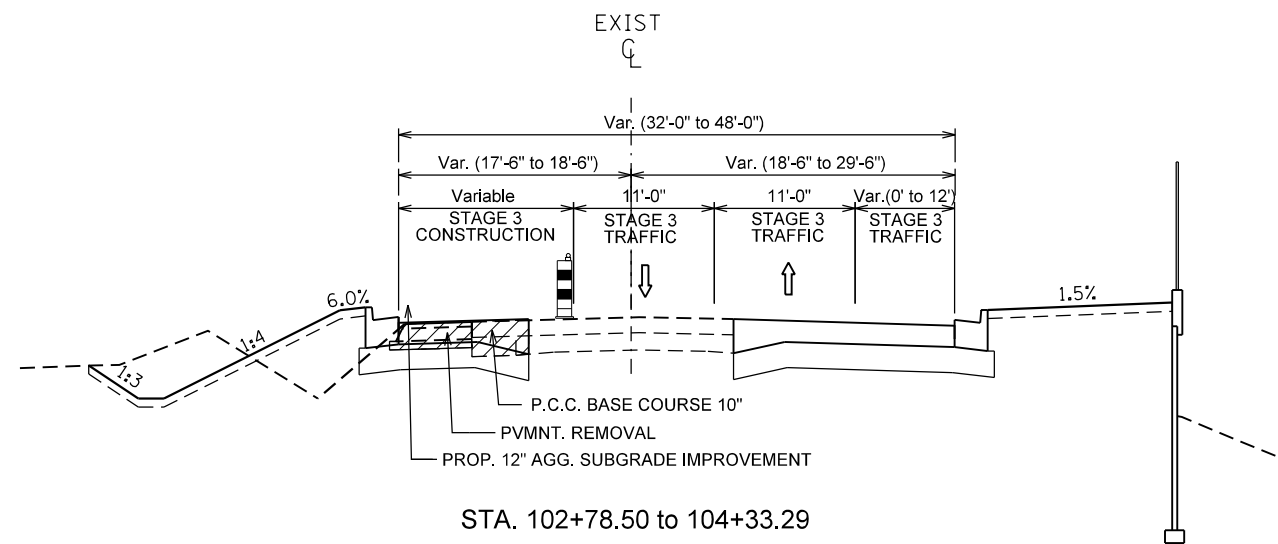
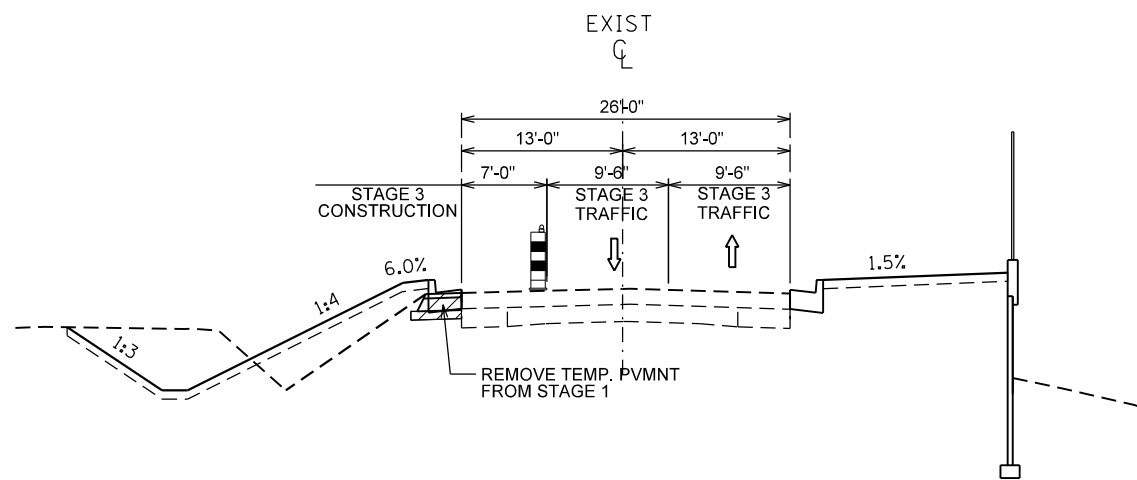


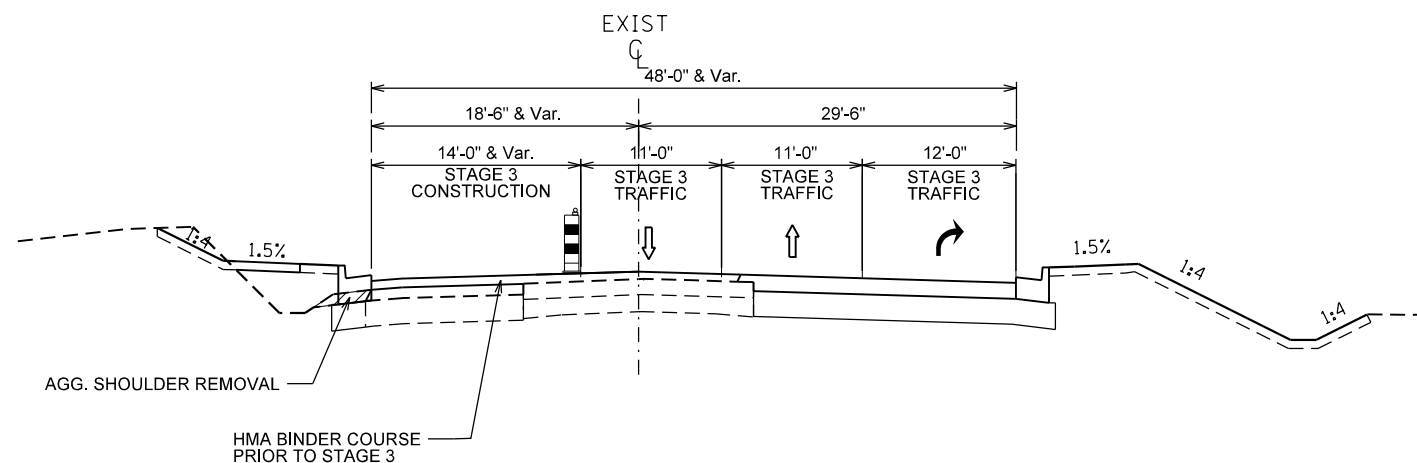
STA. 98+00 to 100+00.00



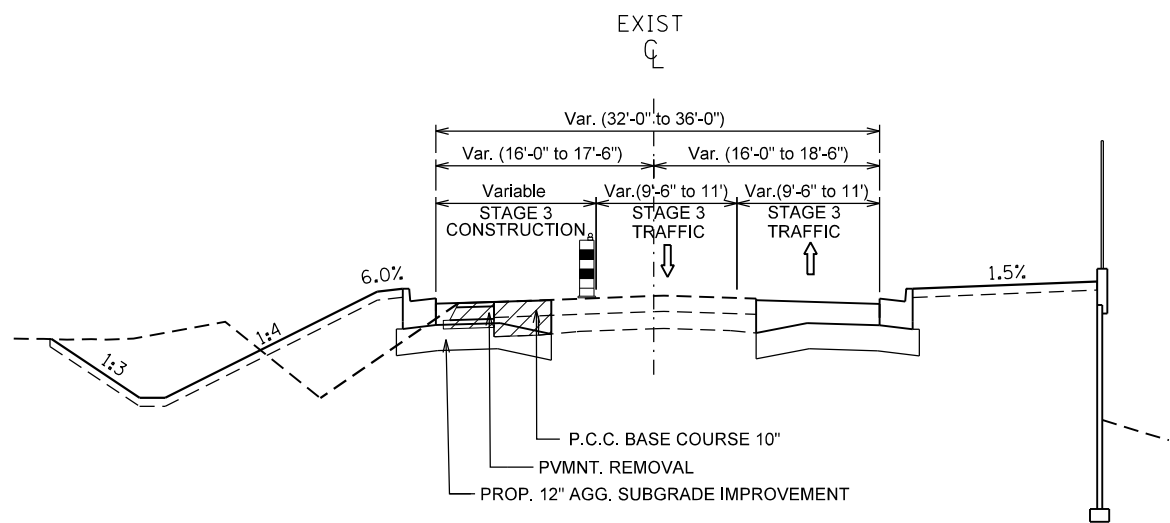
STA. 102+78.50 to 104+33.29



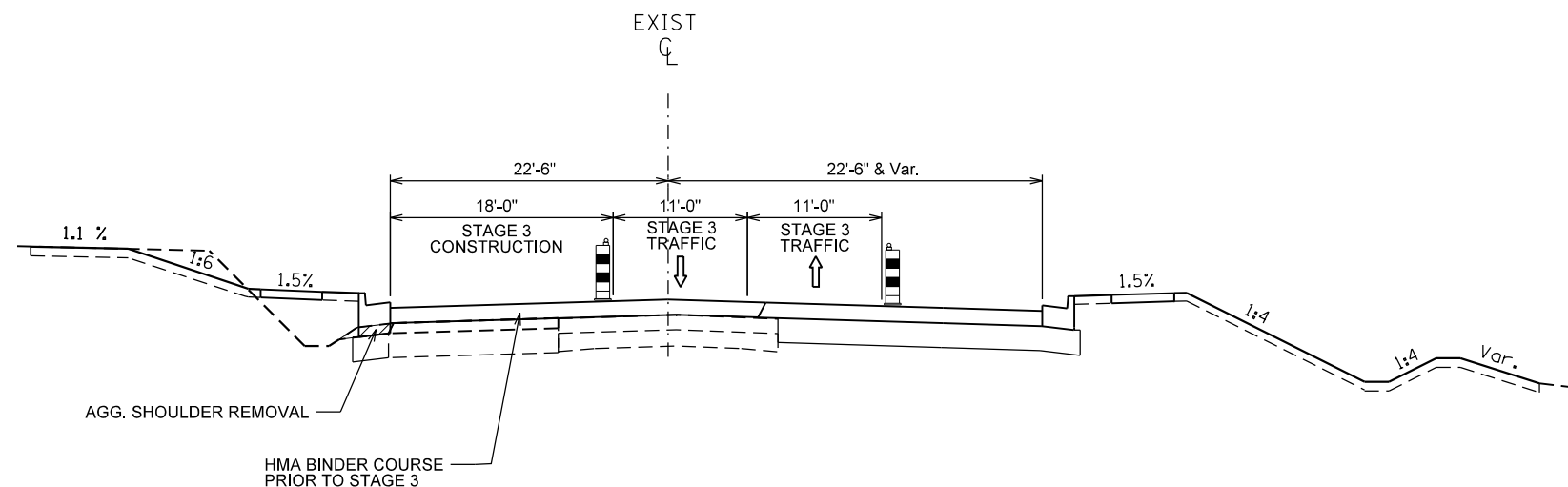
STA. 100+00.00 to 100+75.41



STA. 104+33.29 to 106+37.52



STA. 100+75.41 to 102+78.50



STA. 106+37.52 to 108+56.46

FILE NAME =	USER NAME = crespole	DESIGNED -	REVISED -
et:\pw\work\p\midot\crespole\d0348685\1048792-sht-stage typical.dgn		DRAWN -	REVISED -
	PLOT SCALE = 15.0000' / 1"	CHECKED -	REVISED -
	PLOT DATE = 8/15/2013	DATE -	REVISED -

**STATE OF ILLINOIS  
DEPARTMENT OF TRANSPORTATION**

**IL 91 STAGE 3  
TYPICAL SECTIONS**

SCALE: SHEET OF SHEETS STA. TO STA.

F.A.S. RT.E.	SECTION	COUNTY	TOTAL SHEETS	SHEET NO.
1380	7W-1,RS-3	Peoria	617	117
CONTRACT NO. 88792				
ILLINOIS FED. AID PROJECT				