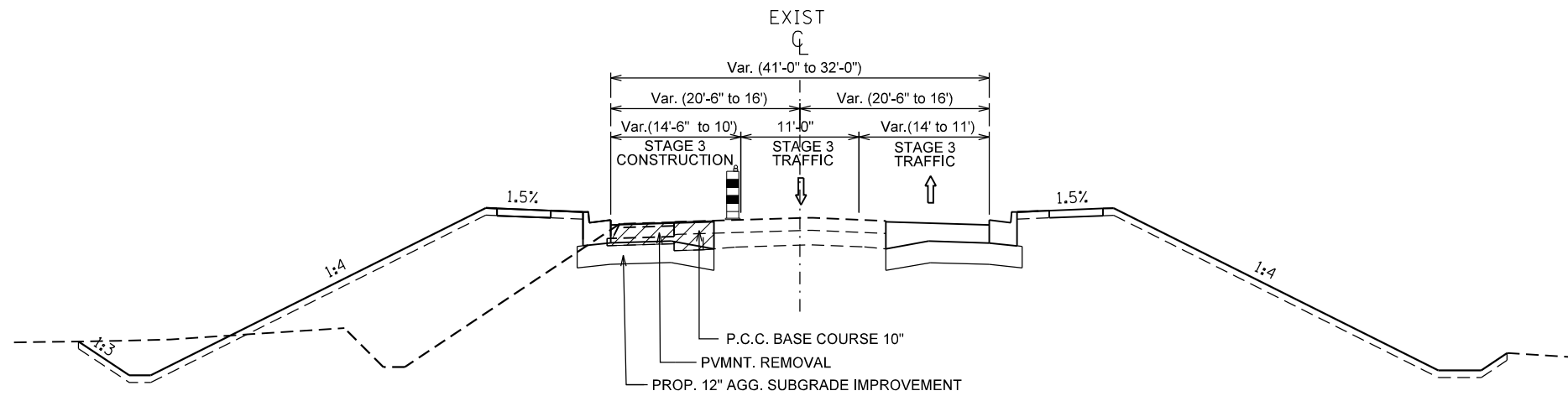
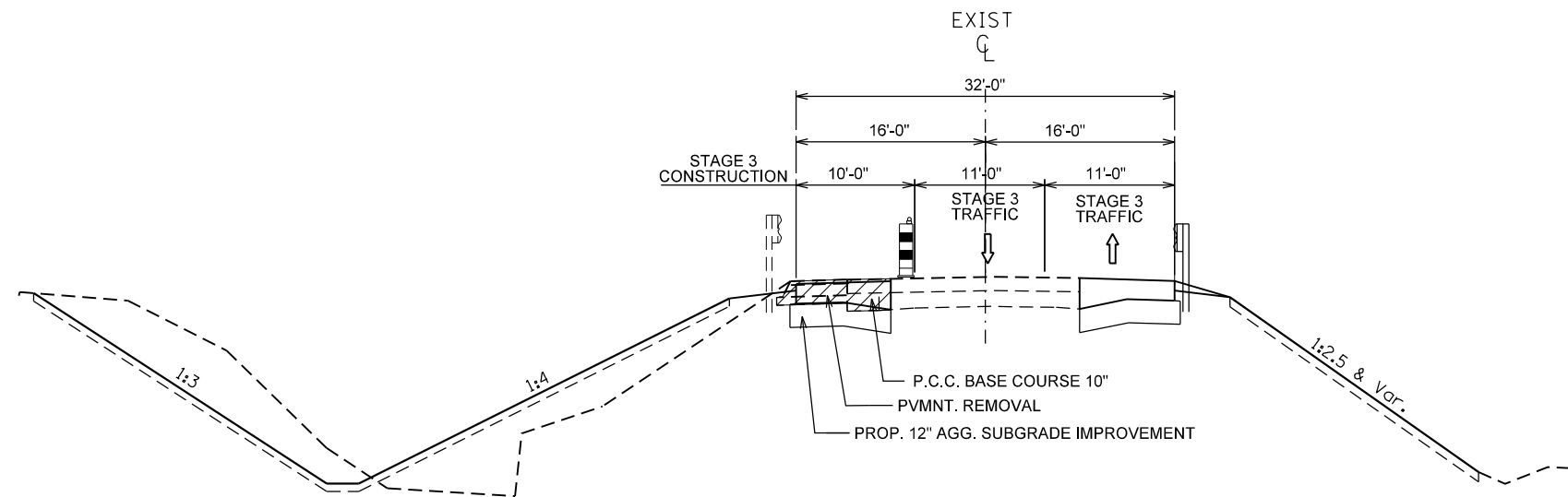


STA. 108+56.46 to 109+46.43  
 (Northbound varies from 16' - 14')  
 STA. 109+46.43 to 145+00.00



STA. 145+00.00 to 146+90.00



STA. 146+90.00 to 147+50.00

FILE NAME =	USER NAME = crespole	DESIGNED -	REVISED -
et:\pw\work\p\id\crespole\d0348685\048792-sht-stage typical.dgn		DRAWN -	REVISED -
	PLOT SCALE = 15.0000' / 1"	CHECKED -	REVISED -
	PLOT DATE = 8/15/2013	DATE -	REVISED -

STATE OF ILLINOIS  
 DEPARTMENT OF TRANSPORTATION

IL 91 STAGE 3  
 TYPICAL SECTIONS

SCALE: SHEET OF SHEETS STA. TO STA.

F.A.S. RTE.	SECTION	COUNTY	TOTAL SHEETS	SHEET NO.
1380	7W-1,RS-3	Peoria	617	118
CONTRACT NO. 88792			ILLINOIS FED. AID PROJECT	