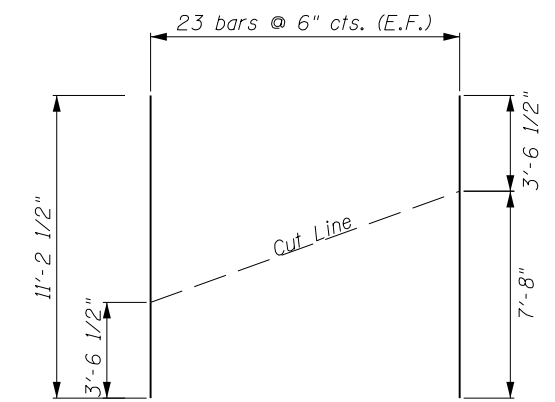
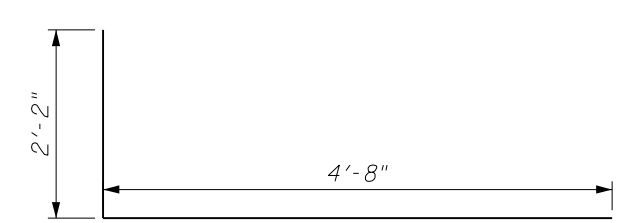


ELEVATION



bar v6(E)

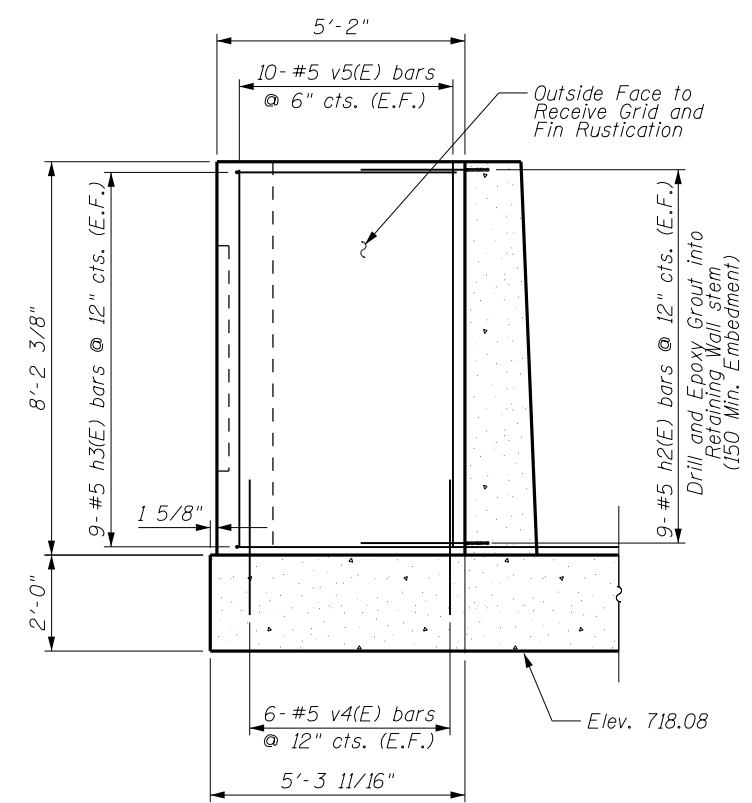


Bar h3(E)

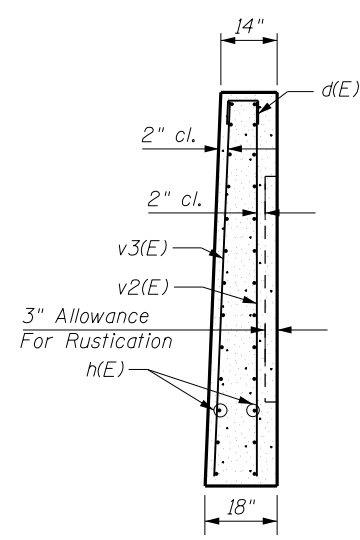
BILL OF MATERIALS

Bar	No.	Size	Length (ft)	Shape
h2(E)	21	#5	2'-8"	—
h3(E)	21	#5	6'-10"	—
h4(E)	2	#5	6'-3"	—
h5(E)	2	#5	9'-4"	—
h6(E)	2	#5	12'-2"	—
h7(E)	2	#5	15'-0"	—
h8(E)	10	#5	18'-0"	—
h9(E)	2	#5	12'-6"	—
v4(E)	24	#5	2'-9"	—
v5(E)	26	#5	7'-10"	—
v6(E)	23	#5	11'-2 1/2"	—

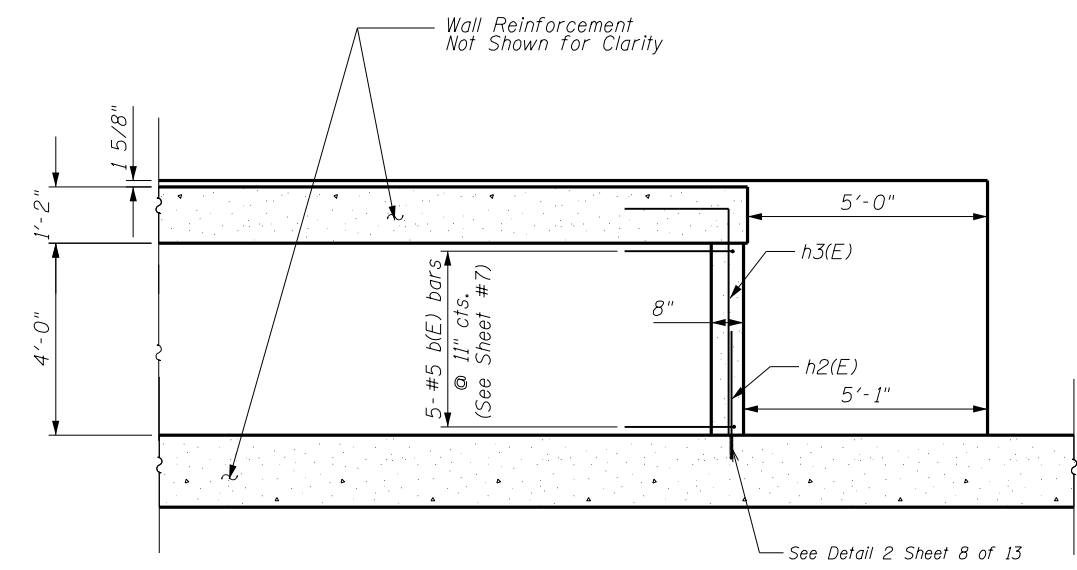
Reinforcement Bars, Epoxy Coated	Lbs.	1,061
Concrete Structure	Cu Yd	6.81



VIEW B-B



DETAIL OF WALL WITHOUT FOOTING



SECTION C-C

FILE NAME =	USER NAME = crespole	DESIGNED -	REVISED -
ci:\pw\work\p\idot\crespole\d0330150\048792-sht-details.dgn		DRAWN -	REVISED -
Default	PLOT SCALE = 40.0000' / in.	CHECKED -	REVISED -
	PLOT DATE = 8/15/2013	DATE -	REVISED -

**STATE OF ILLINOIS
DEPARTMENT OF TRANSPORTATION**

PANEL 17 - WALL DETAILS
STA. 103 + 78.09 TO 104 + 03.00

SCALE: SHEET 6 OF 13 SHEETS STA. TO STA.

F.A.S. RTE.	SECTION	COUNTY	TOTAL SHEETS	SHEET NO.
1380	7W-1,RS-3	Peoria	617	304
CONTRACT NO. 88792			ILLINOIS FED. AID PROJECT	