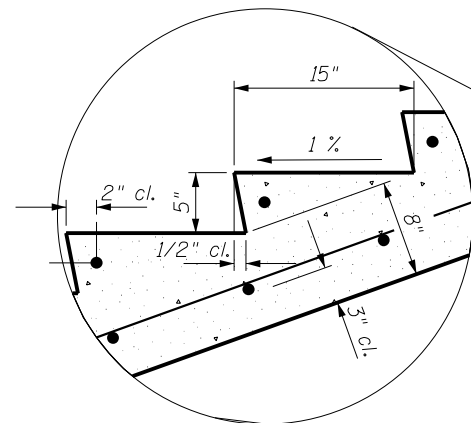


SECTION E-E

BILL OF MATERIALS

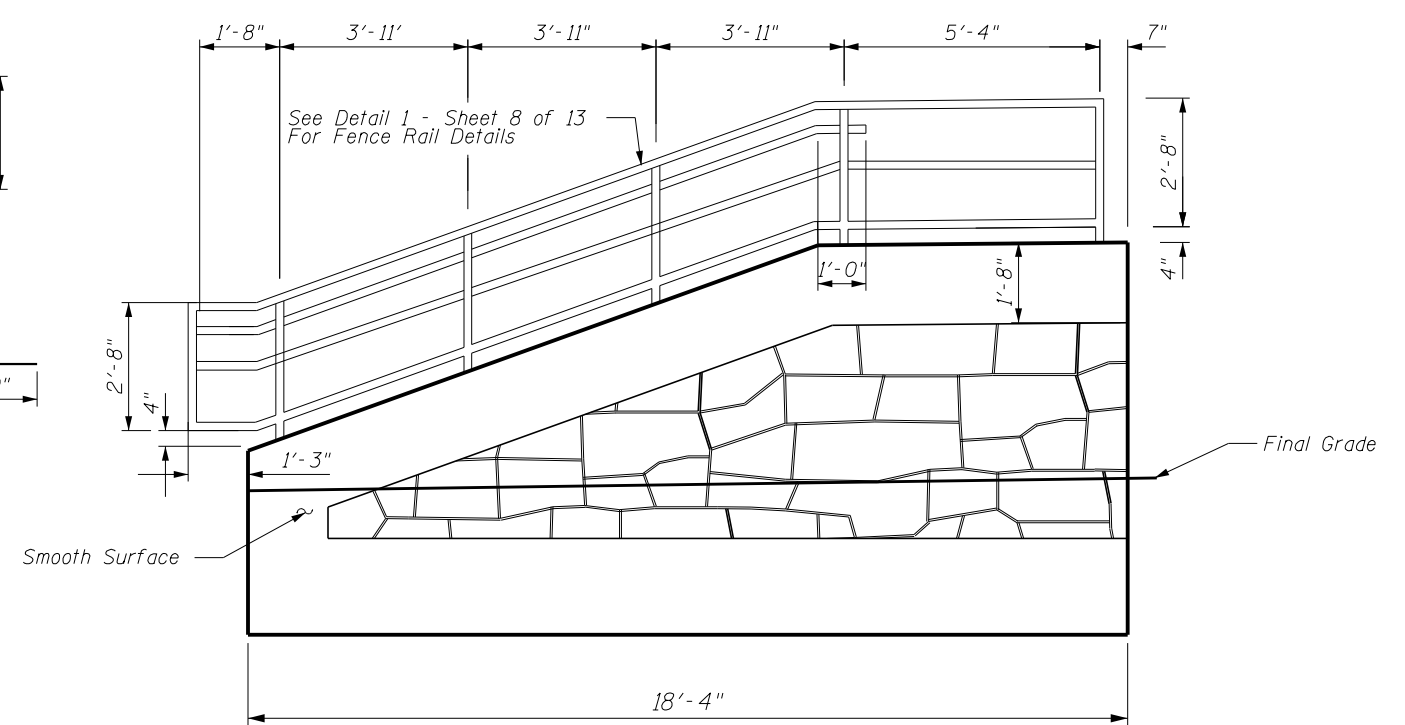
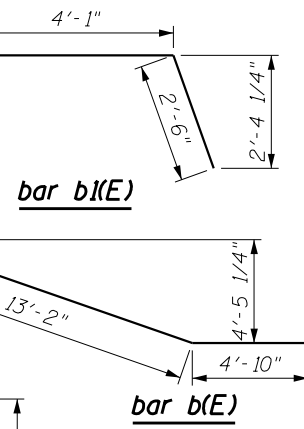
Bar	No.	Size	Length (ft)	Shape
a(E)	25	#5	3'-8"	—
a(E)	4	#5	6'-0"	—
b(E)	5	#5	18'-0"	∕
b(E)	5	#5	6'-7"	∕
Reinforcement Bars, Epoxy Coated			Lbs.	249
Concrete Structure			Cu Yd	2.50
Chain Link Gates, 4' x 6' Single Sta. 103+95.42 To 103+99.42			Each	1

*

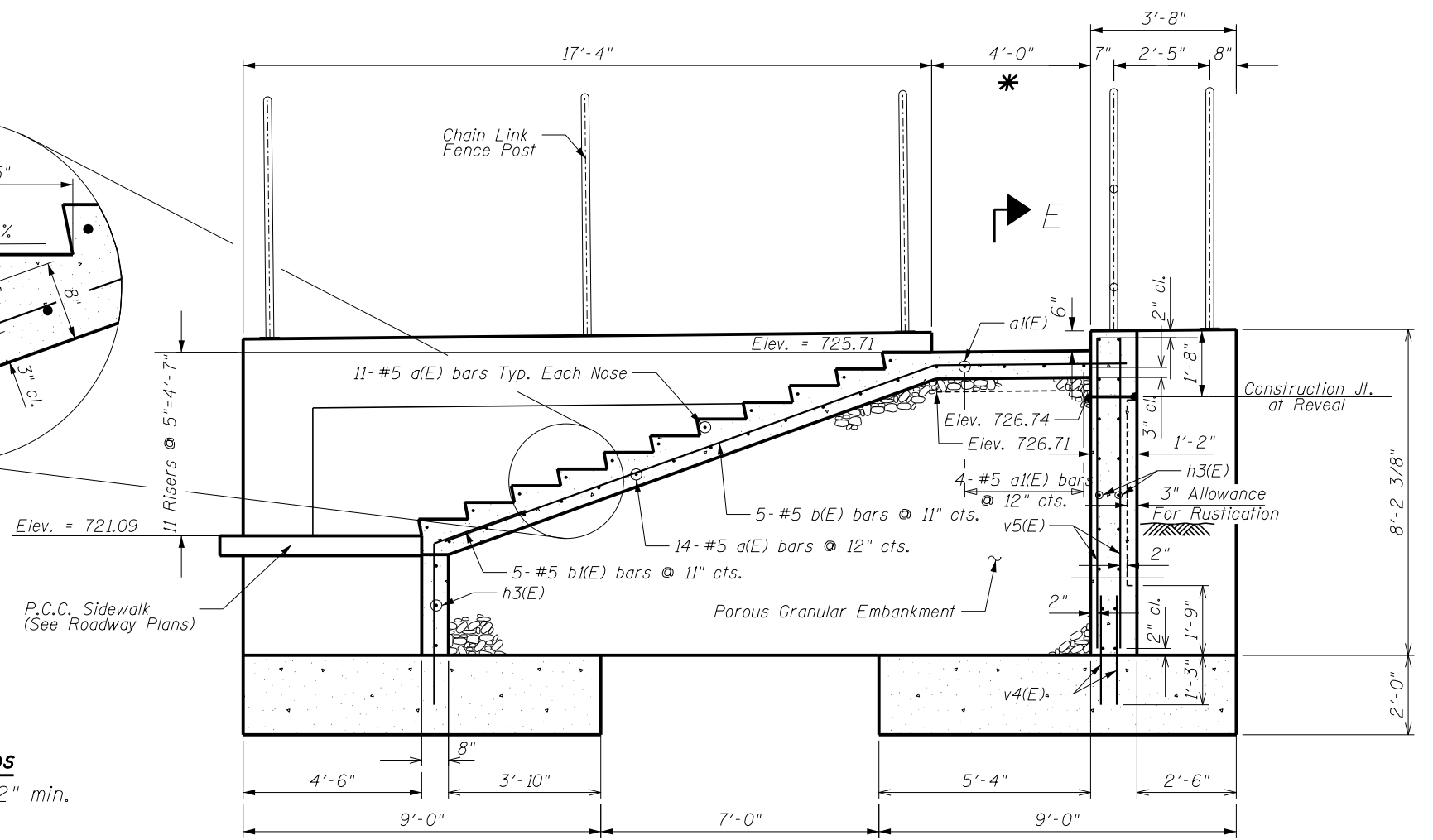


STEP DETAIL

Min. Bar Laps
#5 bars - 2'-2" min.



RAILING DETAIL



SECTION D-D

FILE NAME =	USER NAME = lababidism	DESIGNED -	REVISED -
ca:\pw_work\p1dot\lababidism\d0330150\88792-sht-details.dgn		DRAWN -	REVISED -
Default	PLOT SCALE = 40.0000' / in.	CHECKED -	REVISED -
	PLOT DATE = 9/6/2013	DATE -	REVISED -

**STATE OF ILLINOIS
DEPARTMENT OF TRANSPORTATION**

**PANEL 17 - STAIR DETAILS
STA. 103+78.09 TO 104+03.00**

SCALE: SHEET 7 OF 13 SHEETS STA. TO STA.

F.A.S. RTE.	SECTION	COUNTY	TOTAL SHEETS	SHEET NO.
1380	7W-1,RS-3	Peoria	617	305
CONTRACT NO. 88792				
ILLINOIS FED. AID PROJECT				