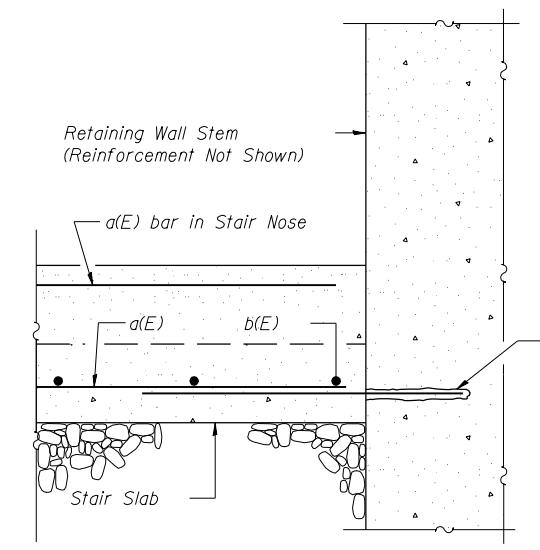
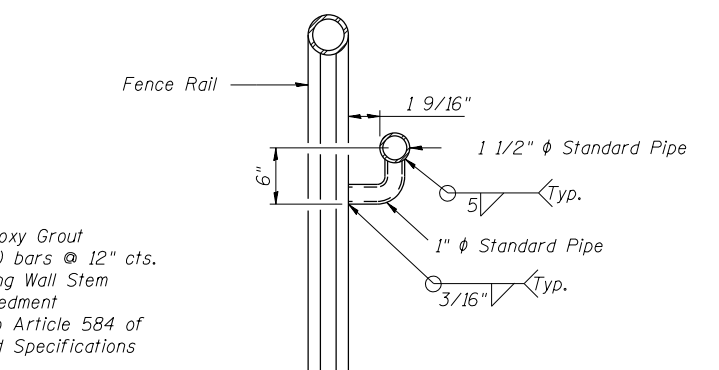


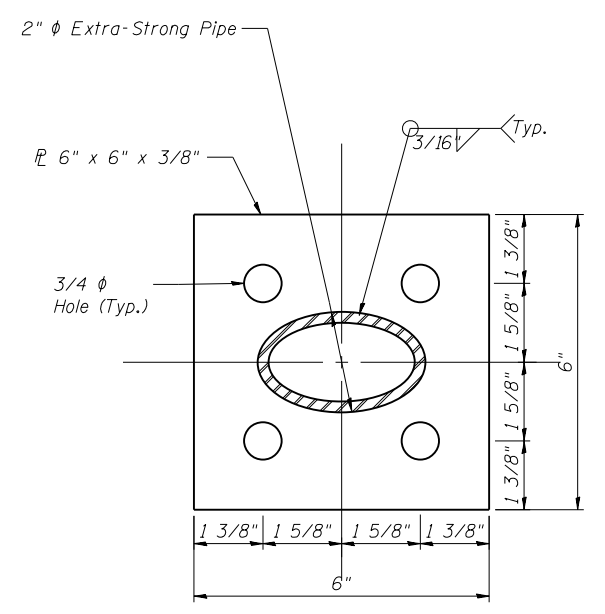
DETAIL 1



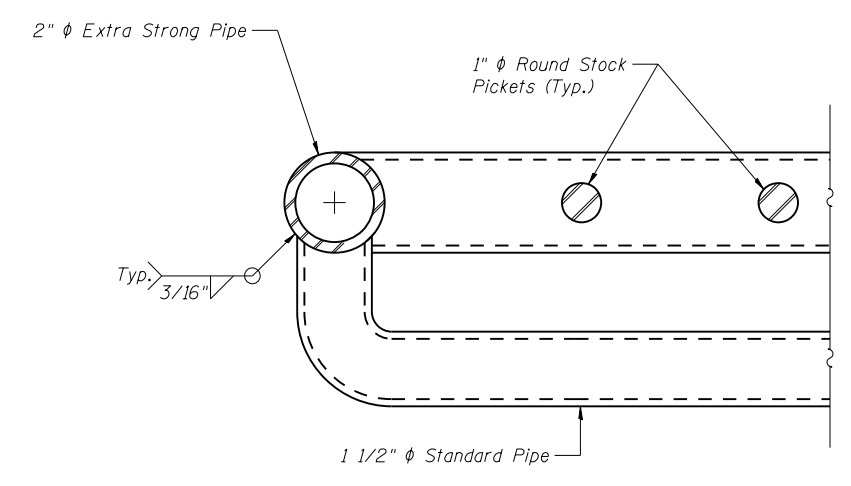
DETAIL 2



SECTION H-H



SECTION G-G



SECTION F-F

FILE NAME =	USER NAME = crespole	DESIGNED -	REVISED -	STATE OF ILLINOIS DEPARTMENT OF TRANSPORTATION	PANEL 17 - HANDRAIL DETAILS STA. 103 + 78.09 TO 104 + 03.00	F.A.S. RTÉ.	SECTION	COUNTY	TOTAL SHEETS	SHEET NO.	
Default	PLOT SCALE = 40.0000' / in.	DRAWN -	REVISED -			1380	7W-1,RS-3	Peoria	617	306	
	PLOT DATE = 8/15/2013	CHECKED -	REVISED -			CONTRACT NO. 88792					
		DATE -	REVISED -			ILLINOIS FED. AID PROJECT					