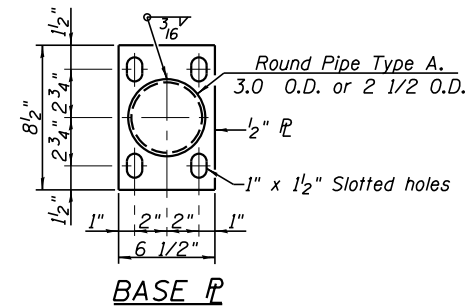
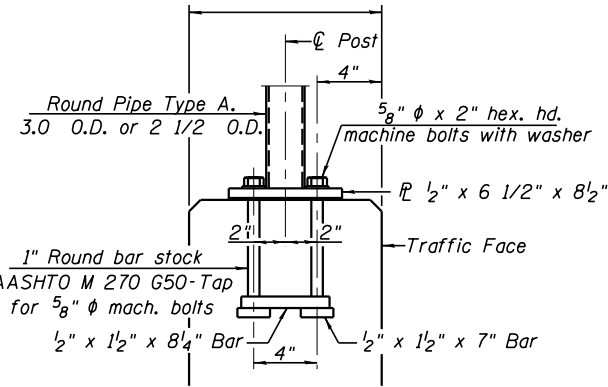


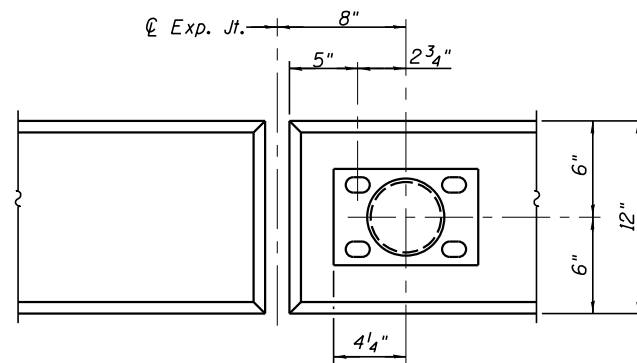
ANCHOR BOLT DETAILS

In lieu of the cast-in-place anchor device shown, the Contractor has the option of drilling and setting anchor rods according to Article 509.06 of the Standard Specifications. Embedment shall be according to the manufacturer's specifications.

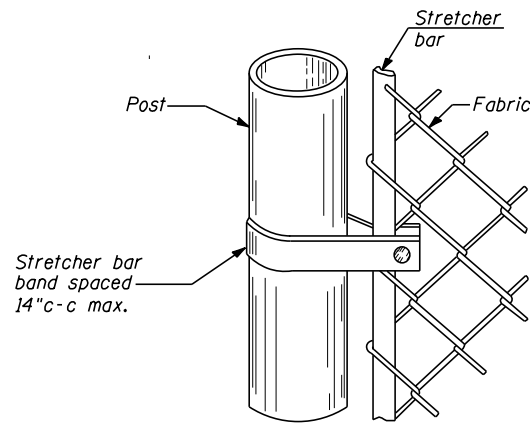


CHAINLINK FENCE SPECIFICATION

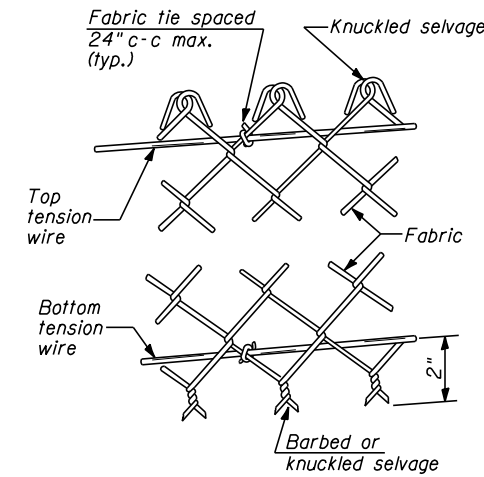
1. Posts, chain link fence and attaching hardware shall be according to Section 1006 of the Standard Specifications, except as noted and shall be paid for at the contract unit price per foot for Chain Link Fence (Attached to Structure).
2. The 9 gauge fabric ties shall be black and confirm to Article 1006.27 of the Standard Specifications.
3. Installation of the chain link fabric shall be according to Section 664 of the Standard Specifications
4. Stretcher bars shall be used at all end posts.
5. All other steel shapes and plates shall conform to the requirements of AASHTO M 270M Grade 36.
6. If the option of drilling and epoxy grouting the anchor rods is chosen, the Contractor shall use the capsule or the adhesive cartridge type anchor rods that have been previously tested and given a prior approval by the Department. The Contractor shall install these anchor rods in pre-drilled holes according to the manufacturer's recommendations and procedures. The capsule or the adhesive cartridge shall be sealed with premeasured amounts of the adhesive chemical.
7. Space reinforcement to miss anchor rods.
8. All steel rail elements shall be black domestic schedule 40.
9. Vent holes shall be placed in the posts and rails at locations that will not allow the accumulation of moisture in the members
10. The chain link fabric shall be core black (2" Mesh) KK fused and bonded and confirm to article 1006.27 of the Standard Specifications
11. Fittings including: Black Regular Brace Band & Black Carriage Bolt, Black Combo Pressed Steel Rail End, Black Line Rail Clamp, Black Pressed Steel Loop Cap, Black Pressed Steel Dome Cap, Black 3/4" Heavy Steel Tension Bar, Black regular Tension Band & Black Carriage Bolt.



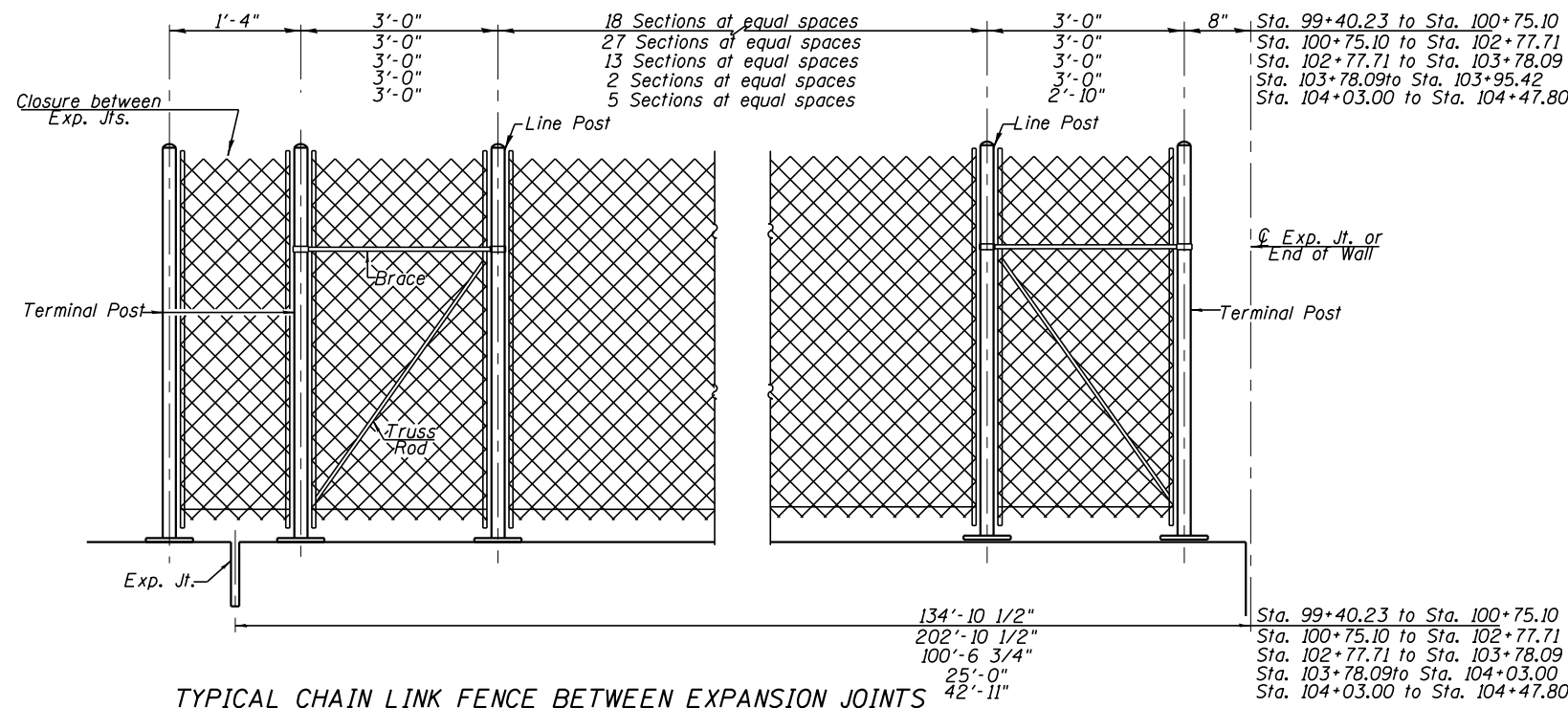
ANCHOR PLATE PLAN @ EXPANSION JOINT



METHOD OF FASTENING STRETCHER BAR TO POST



METHOD OF TYING FABRIC TO TENSION WIRES



TYPICAL CHAIN LINK FENCE BETWEEN EXPANSION JOINTS

BLACK DOMESTIC SCHEDULE 40	
LINE POST	
Section	lbs./ft.
Pipe Type A 2 1/2" O.D.	3.66

BLACK DOMESTIC SCHEDULE 40	
HORIZONTAL BRACES	
Section	lbs./ft.
Pipe Type A 1.66" O.D.	2.27

BLACK DOMESTIC SCHEDULE 40	
TERMINAL POST	
Section	lbs./ft.
Pipe Type A 3" O.D.	5.80

Item	Unit	Quantity
Chain Link Fence 6' Attached to Structure	Foot	516