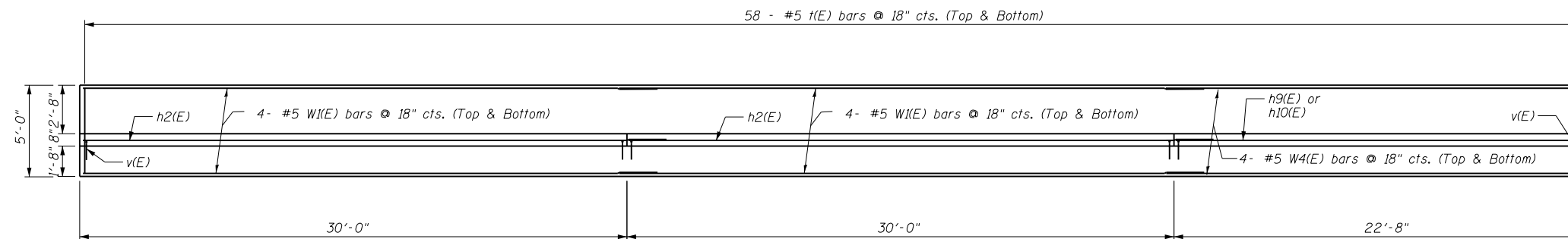


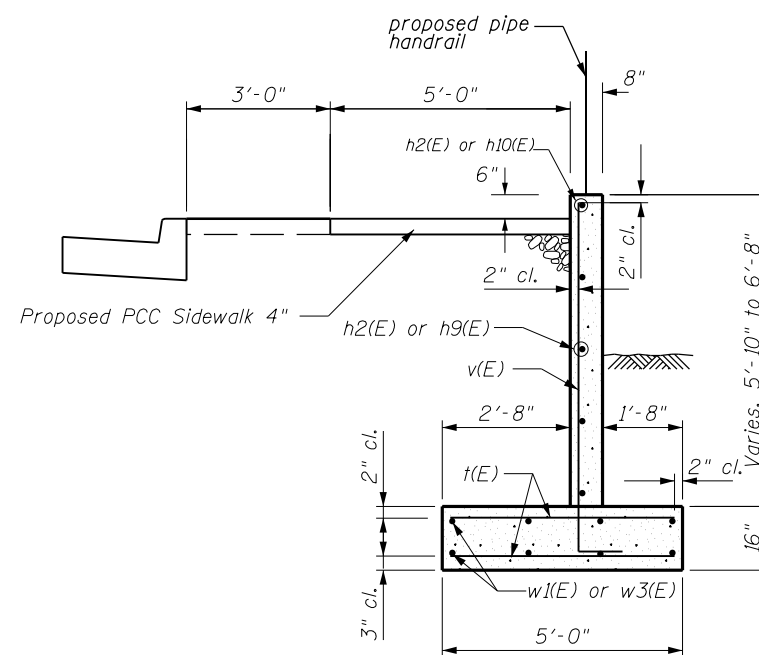
ELEVATION - PANEL 8 THRU 10



PLAN - PANEL 8 THRU 10

BILL OF MATERIALS

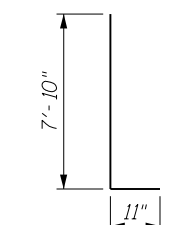
Bar	No.	Size	Length (ft)	Shape
h2(E)	10	#5	32'-0"	—
h9(E)	4	#5	22'-4"	—
h10(E)	1	#5	22'-4"	—
v(E)	58	#5	8'-9"	—
t(E)	58	#5	4'-8"	—
w1(E)	8	#5	31'-1"	—
w4(E)	4	#5	22'-4"	—
Reinforcement Bars, Epoxy Coated			Lbs.	1,615
Concrete Structure			Cu Yd	34.00



SECTION A - A
Panel 8 thru 10



Bar h10(E)



Bar v(E)

Min. Bar Lap
#5 Bars - 2'-2"

FILE NAME =	USER NAME = crespole	DESIGNED -	REVISED -
ct:\pwork\pwork\crespole\d0330150\048792-sht-details.dgn		DRAWN -	REVISED -
Default	PLOT SCALE = 40.0000' / in.	CHECKED -	REVISED -
	PLOT DATE = 8/15/2013	DATE -	REVISED -

STATE OF ILLINOIS
DEPARTMENT OF TRANSPORTATION

WALL DETAILS
RT.STA. 122 + 54.94 - 123 + 37.62

SCALE: SHEET 8 OF 9 SHEETS STA. TO STA.

F.A.S. RTE.	SECTION	COUNTY	TOTAL SHEETS	SHEET NO.
1380	7W-1,RS-3	Peoria	617	318
CONTRACT NO. 88792			ILLINOIS FED. AID PROJECT	