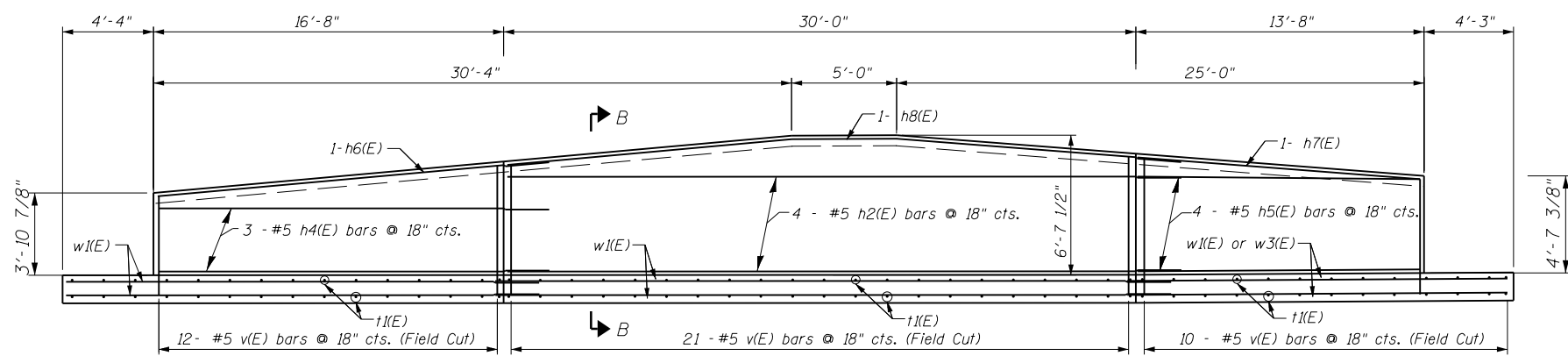


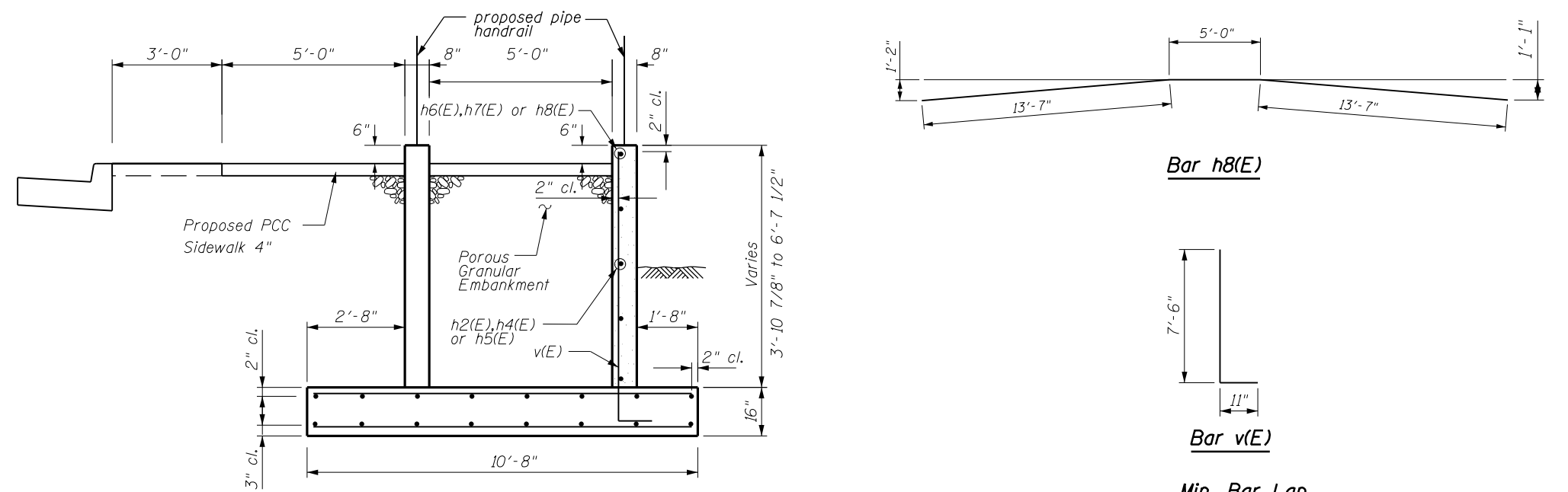
PLAN - PANEL 11 THRU 13



ELEVATION - PANEL 11 THRU 13

BILL OF MATERIALS

Bar	No.	Size	Length (ft)	Shape
h2(E)	4	#5	32'-0"	—
h4(E)	3	#5	18'-7"	—
h5(E)	4	#5	13'-4"	—
h6(E)	1	#5	18'-8"	—
h7(E)	1	#5	13'-6"	—
h8(E)	1	#5	32'-2"	—
v(E)	43	#5	8'-5"	—
Reinforcement Bars, Epoxy Coated			Lbs.	692
Concrete Structure			Cu Yd	8.50
Porous Granular Embankment			Cu Yd	53.0



SECTION B-B

Panel 11 thru 13

Bar h8(E)

Bar v(E)

Min. Bar Lap
#5 Bars - 2'-2"