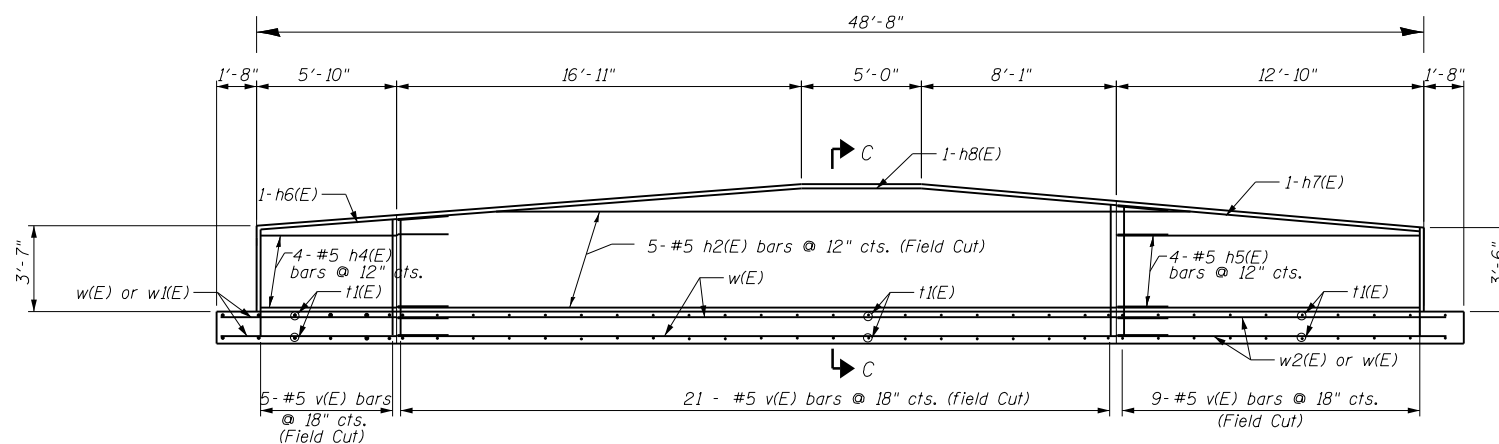
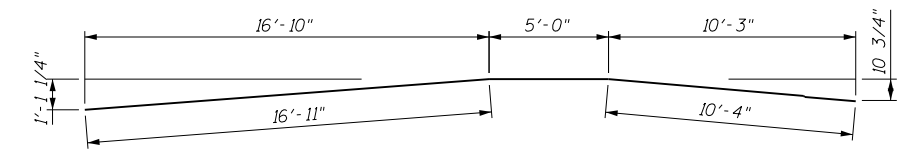


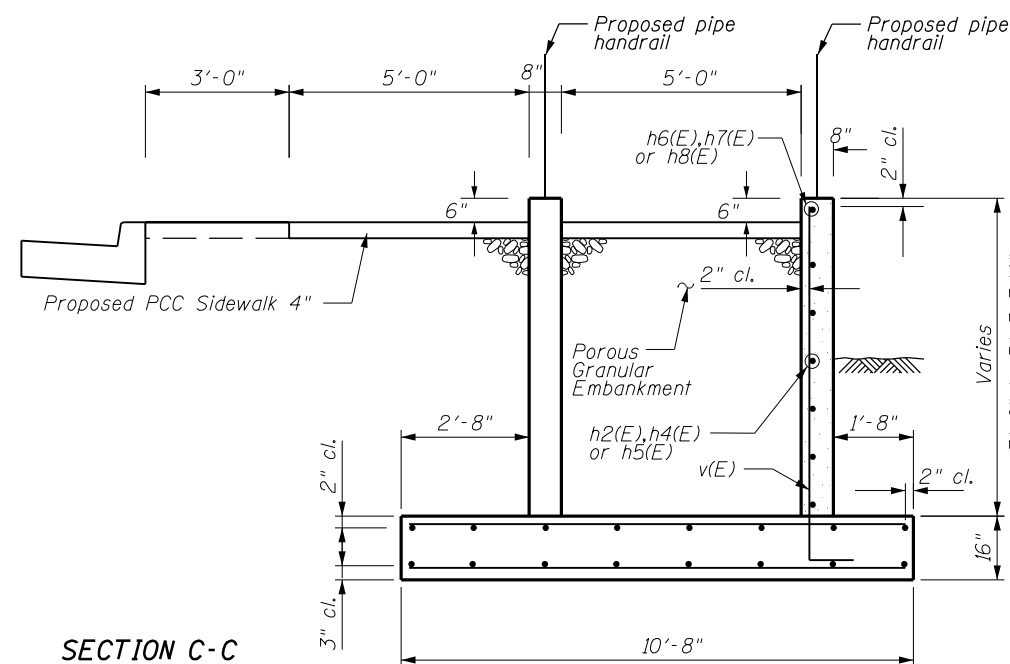
PLAN - PANEL 5 THRU 7



ELEVATION - PANEL 5 THRU 7



Bar h8(E)



SECTION C-C
Panel 5 thru 7

BILL OF MATERIALS

Bar	No.	Size	Length (ft)	Shape
h2(E)	5	#5	32'-1"	—
h4(E)	4	#5	7'-10"	—
h5(E)	4	#5	12'-6"	—
h6(E)	1	#5	7'-10"	—
h7(E)	1	#5	12'-7"	—
h8(E)	1	#5	32'-3"	—
v(E)	35	#5	7'-1"	—
Reinforcement Bars, Epoxy Coated			Lbs.	566
Concrete Structure			Cu Yd	5.50
Porous Granular Embankment			Cu Yd	36.0

Min. Bar Lap

#5 Bars - 2'-2"