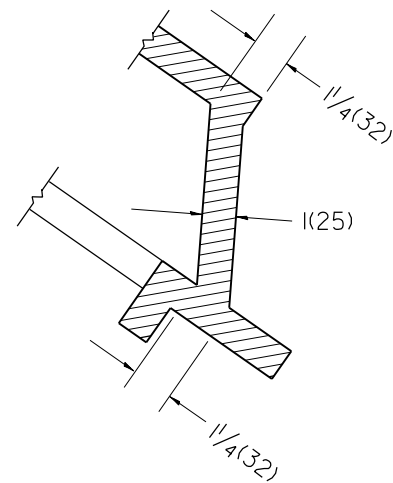


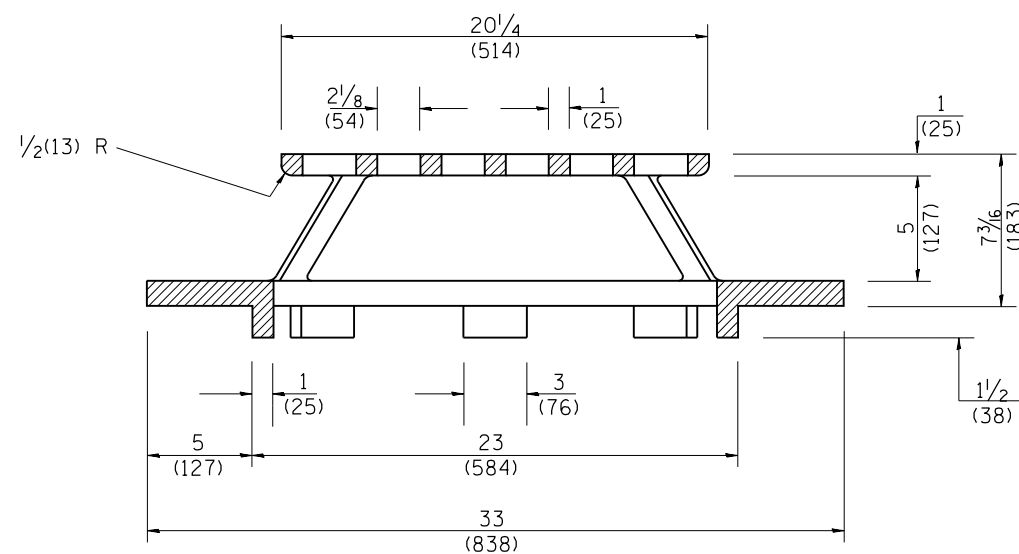
PLAN



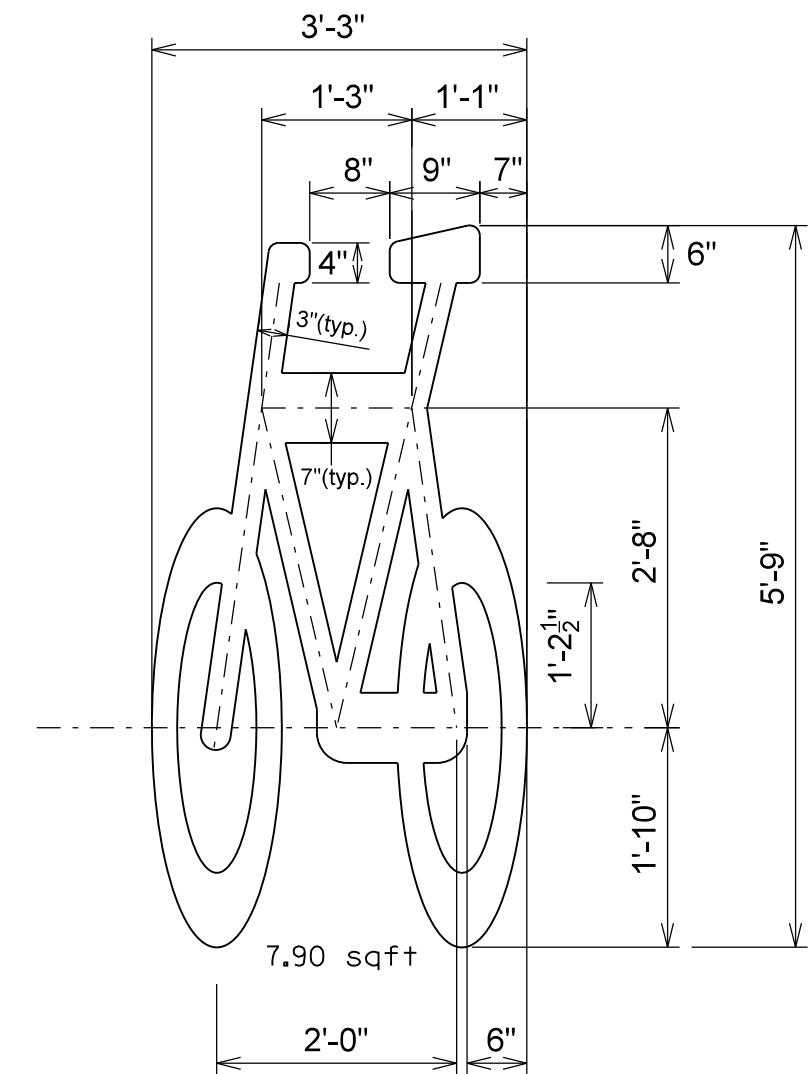
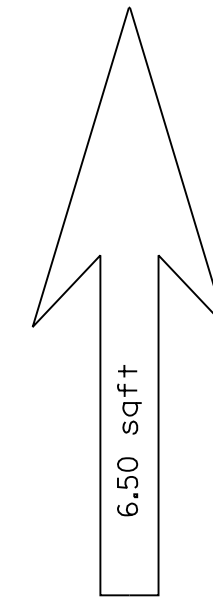
SECTION B - B

GENERAL NOTES

- MATERIAL - Cast Gray Iron
Weight 209 lbs (95 kg)



SECTION A - A



01-01-97	RENUM. B-10.02, NEW REVISION BOX	T.P.			
10-16-06	REVISED TO 2007 SPEC.	M.A.			

STATE OF ILLINOIS
DEPARTMENT OF TRANSPORTATION

NOT TO SCALE

SPECIAL FRAME AND GRATE AND
BIKE LANE PAVEMENT MARKING SYMBOL DETAILS

F.A.S. RTE.	SECTION	COUNTY	TOTAL SHEETS	SHEET NO.
1380	7W-1,RS-3	PEORIA	617	331
FED. ROAD DIST. NO.			ILLINOIS FED. AID PROJECT	
			CONTRACT NO. 88792	