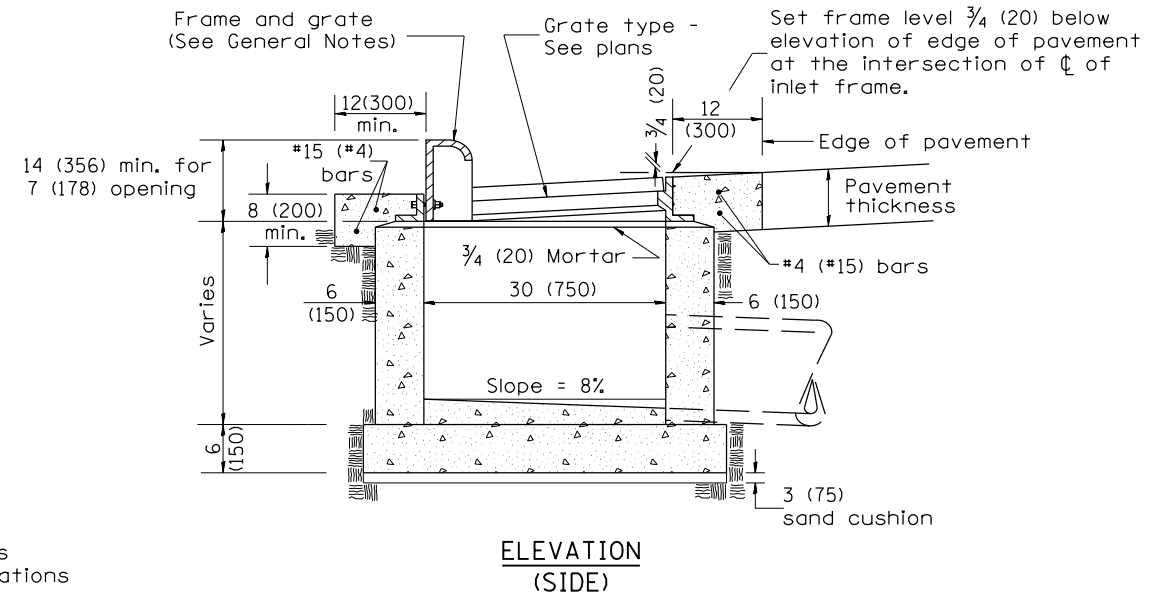
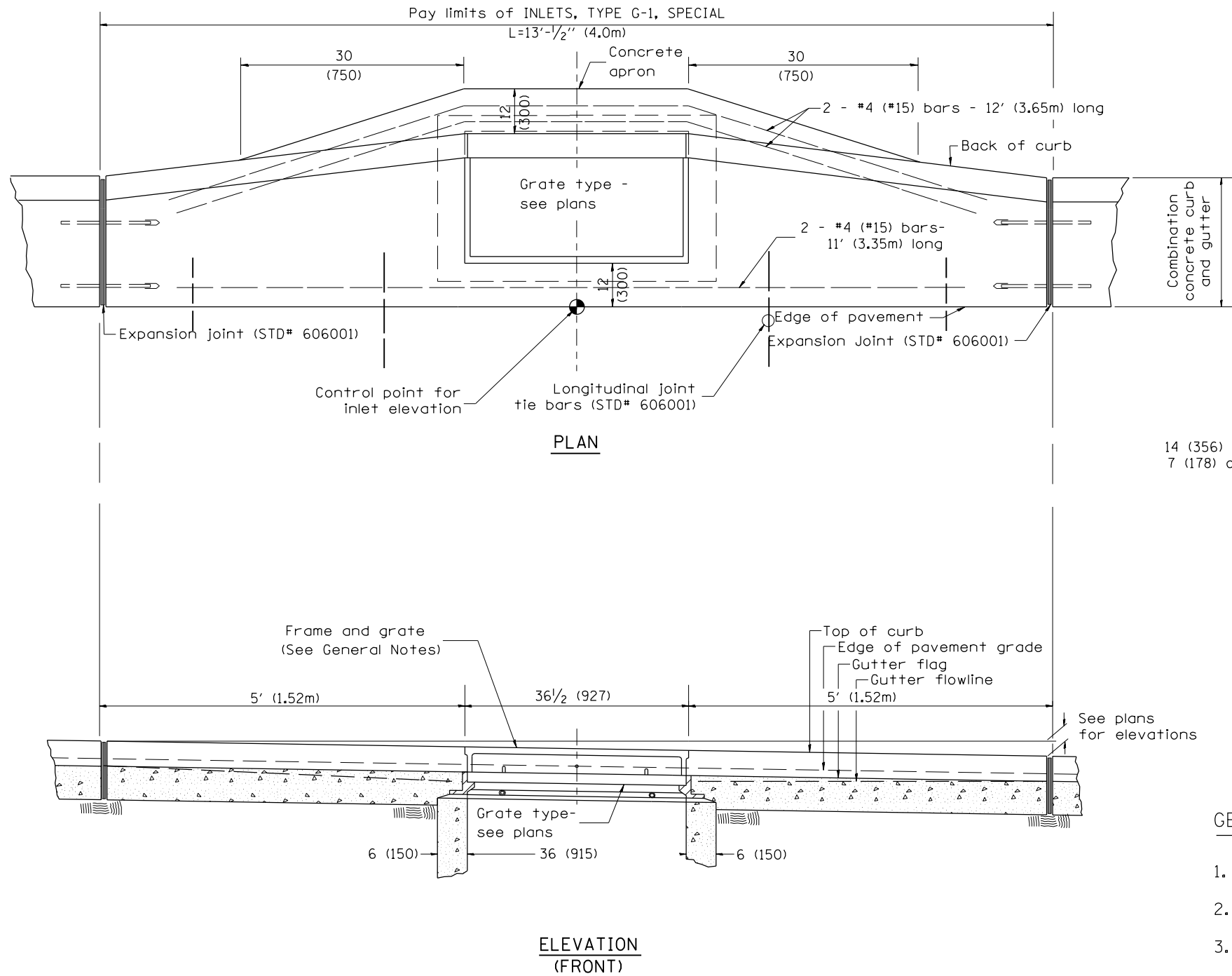


DESIGNER NOTES: 1. Include State Standard 606001 for combination concrete curb and gutter details.
 2. Include State Standard 420001 for pavement joints.
 3. Include District CADD Standard for frame and grates.
 4. Include District Special Provision. Pay item includes transitional c.c.c. & g., inlet and frame and grate. All work within pay limits.
 5. Specify grate type in plans



GENERAL NOTES

1. Inlet construction shall be in accordance with Section 602 of the Standard Specifications.
2. Combination Concrete Curb and Gutter shall be constructed in accordance with Section 606 of the Standard Specifications.
3. See District CADD Standard 604001-D4 for frame and grates.

All dimensions are in inches (millimeters) unless otherwise noted.

01-01-97	RENUM. B-4.02, NEW REVISION BOX					STATE OF ILLINOIS DEPARTMENT OF TRANSPORTATION	INLETS, TYPE G-1, SPECIAL	F.A. RTE.	SECTION	COUNTY	TOTAL SHEETS	SHEET NO.
12-01-98	CORRECT E.O.P. NOTE	J.A.			1380			7W-1, RS-3	PEORIA	617	355	
10-99	REVISION TO GENERAL NOTES	J.A.			CONTRACT NO. 88792							
10-16-06	REVISED TO 2007 SPEC.	M.A.			CADD STD. 602006-D4							

NOT TO SCALE

CADD STD. 602006-D4

FED. ROAD DIST. NO. ILLINOIS FED. AID PROJECT