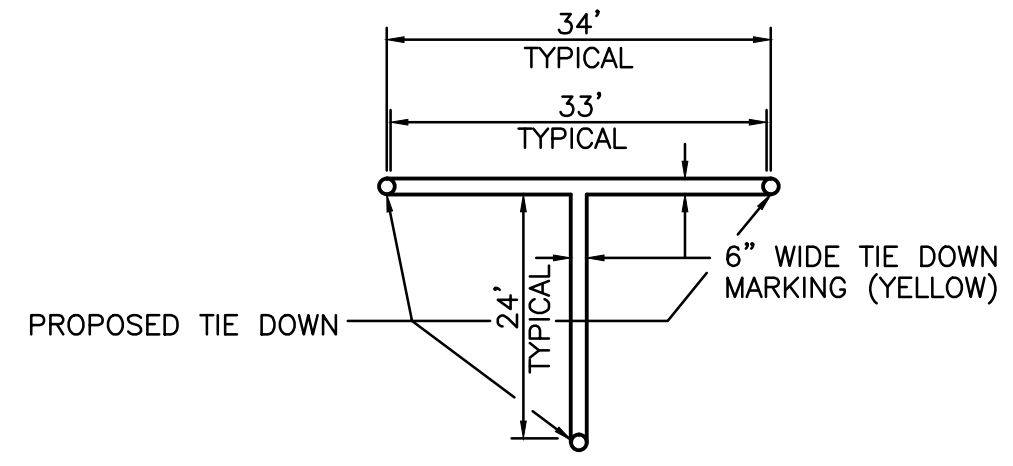
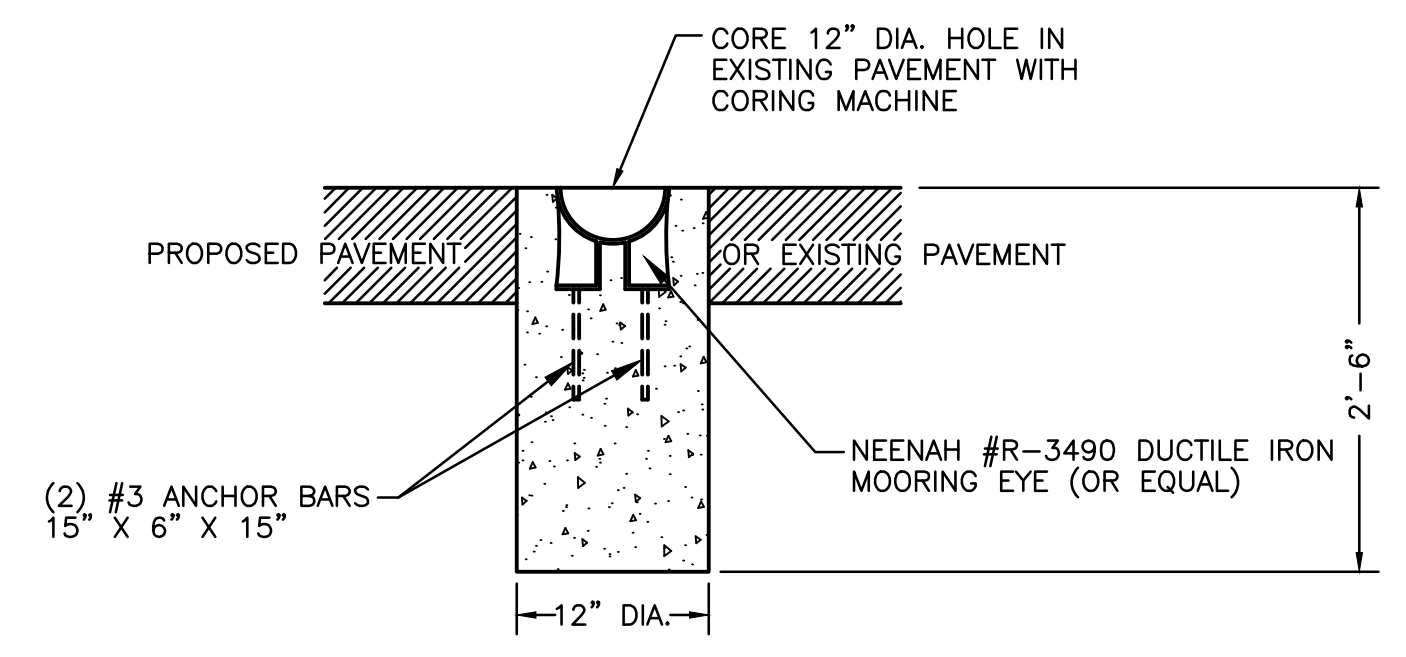


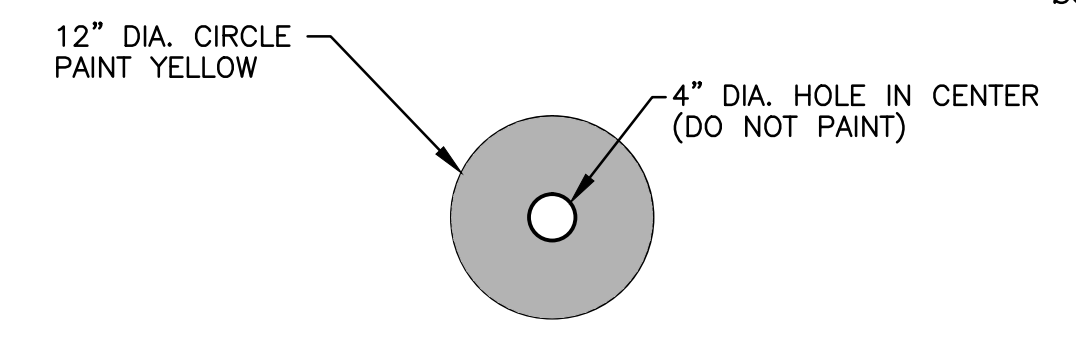
TIE DOWN "A" DETAIL  
N.T.S.



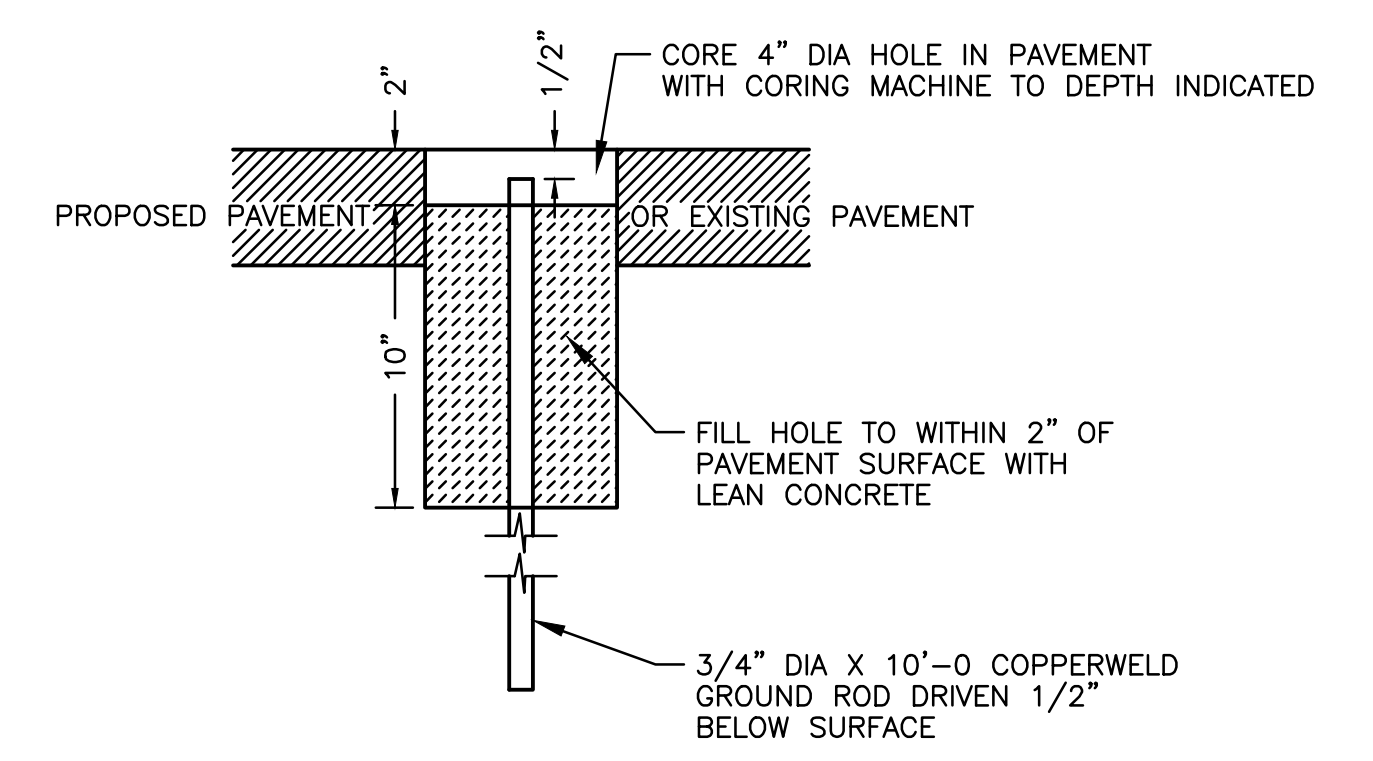
TIE DOWN "B" DETAIL  
N.T.S.



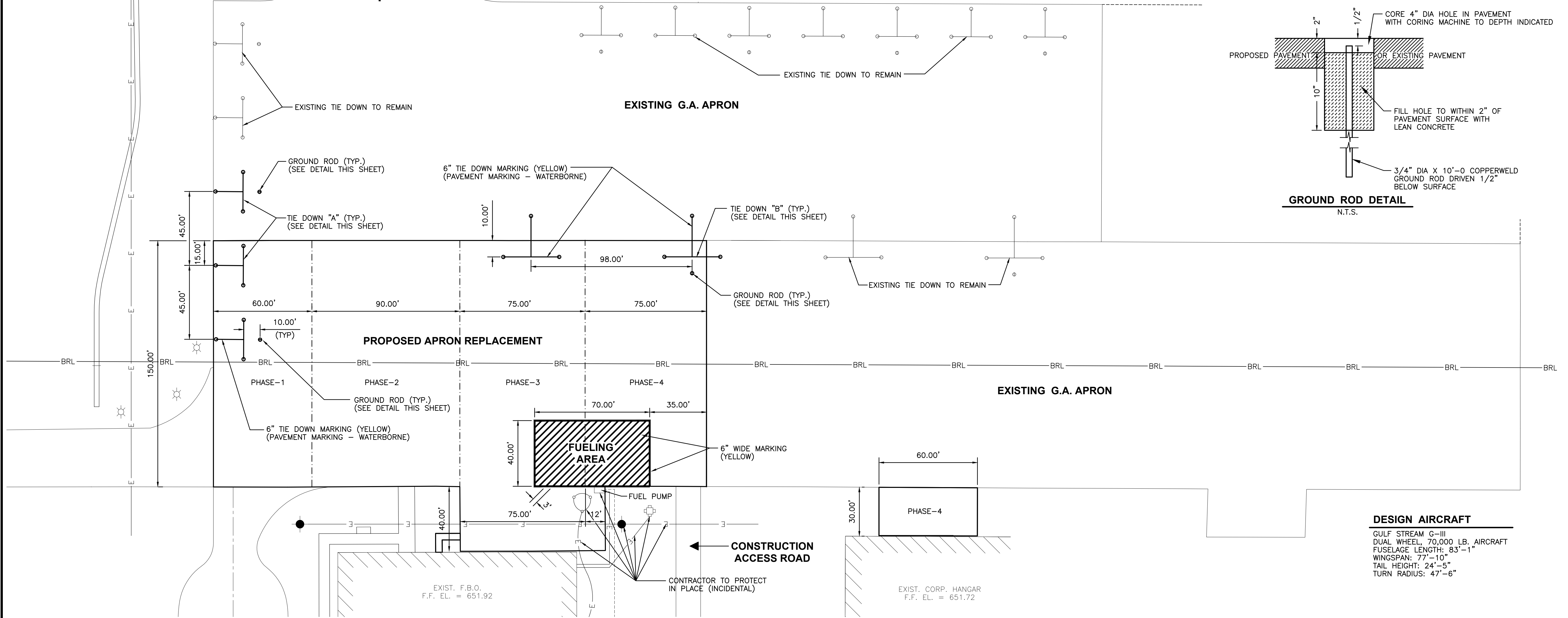
TIE DOWN DETAIL  
N.T.S.



GROUND ROD MARKING DETAIL  
N.T.S.



GROUND ROD DETAIL  
N.T.S.



**DESIGN AIRCRAFT**  
 GULF STREAM G-III  
 DUAL WHEEL, 70,000 LB. AIRCRAFT  
 FUSELAGE LENGTH: 83'-1"  
 WINGSPAN: 77'-10"  
 TAIL HEIGHT: 24'-5"  
 TURN RADIUS: 47'-6"

CHAMLIN & ASSOCIATES, INC. © 2011  
 Drawing Name: G:\Users\11102-00-Peru\00-Peru\00-Apron-Replacement\00-Peru\00-Apron-Replacement.dwg Last Modified: Nov 22, 2013 11:11:11am Plotted on: Nov 22, 2013 2:04pm by tmh

|                 |           |    |      |             |
|-----------------|-----------|----|------|-------------|
| DRAWN BY: TIM H | REVISIONS |    |      |             |
| CHECKED BY: KWH | LEVEL     | BY | DATE | DESCRIPTION |
| DATE: 11/13     |           |    |      |             |

**CHAMLIN ASSOCIATES**  
 PERU MORRIS ILLINOIS

**ILLINOIS VALLEY REGIONAL AIRPORT**  
 ILLINOIS PROJECT NO. VYS-4191  
 STATE BLOCK GRANT No. 3-17-0060-B22

**DIMENSIONAL LAYOUT PLAN & PAVEMENT MARKING PLAN**

**CONSTRUCTION PLANS**

|                      |         |
|----------------------|---------|
| CURRENT AS OF: 11/13 |         |
| SCALE: AS NOTED      | SHEET 3 |
| FILE NO.: 1102.00 Y- | OF 5    |