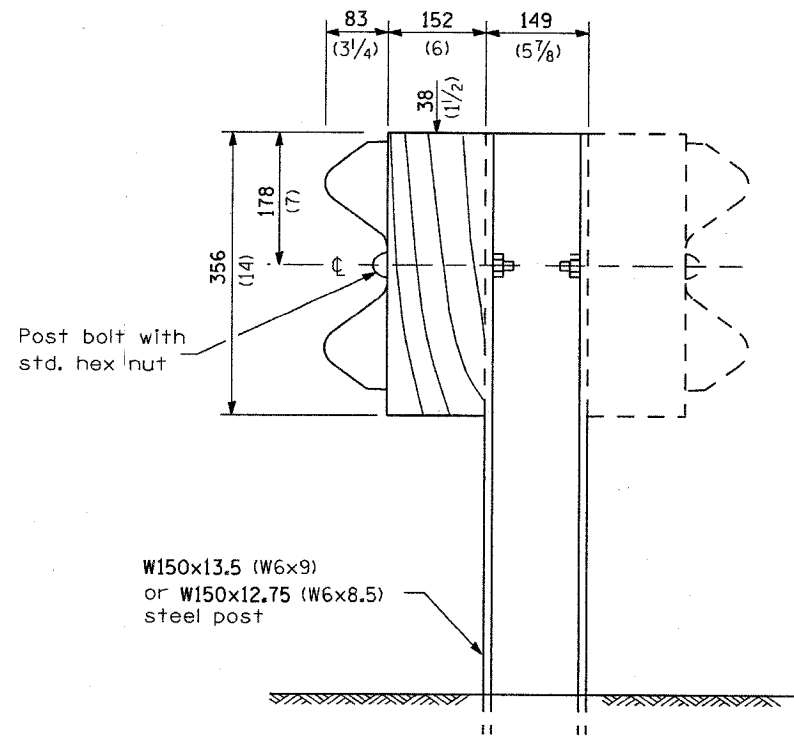
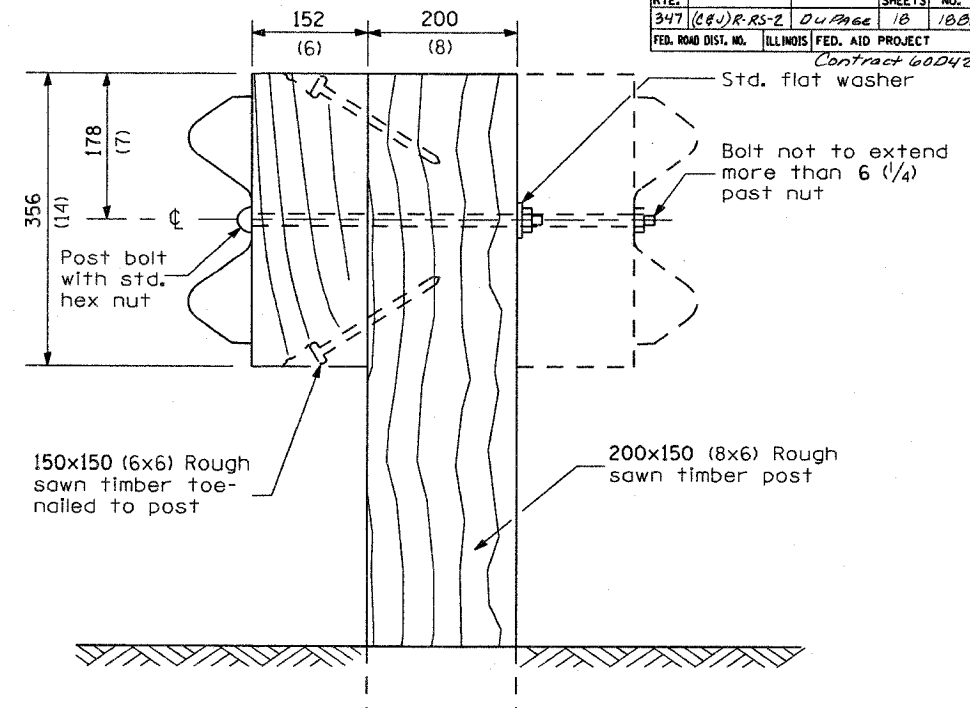


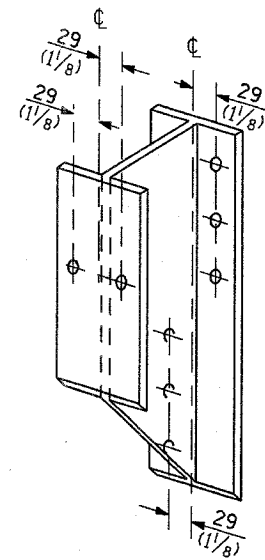
| F.A.P. RTE. | SECTION | COUNTY | TOTAL SHEETS | SHEET NO. |
|---------------------|------------|----------|------------------|-----------|
| 347 | (64)R-RS-2 | DuPage | 18 | 10B. |
| FED. ROAD DIST. NO. | | ILLINOIS | FED. AID PROJECT | |
| Contract 60D42 | | | | |



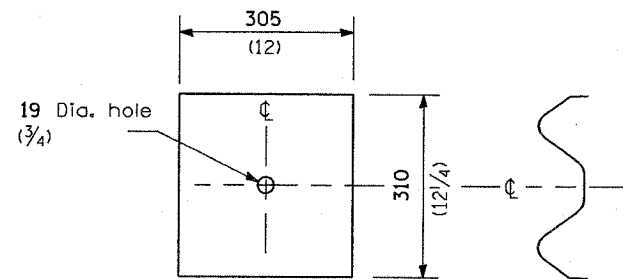
STEEL POST CONSTRUCTION



WOOD POST CONSTRUCTION



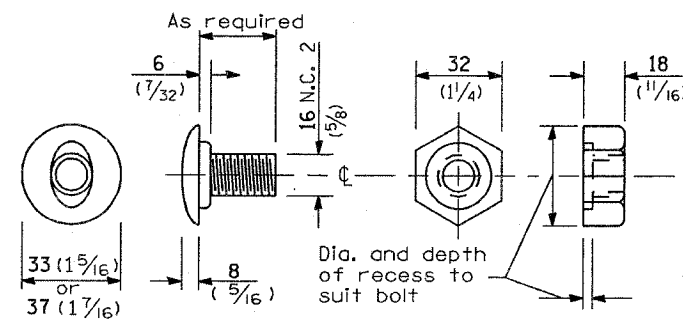
STEEL BLOCK-OUT DETAIL



NOTE

Plate A shall be placed between rail element and block-out at non-splice mounting points only when steel block-outs are used.

PLATE A



POST OR SPLICE BOLT & NUT

**REMOVE AND REERECT
STEEL PLATE BEAM GUARDRAIL**

(Sheet 2 of 4)

DETAIL