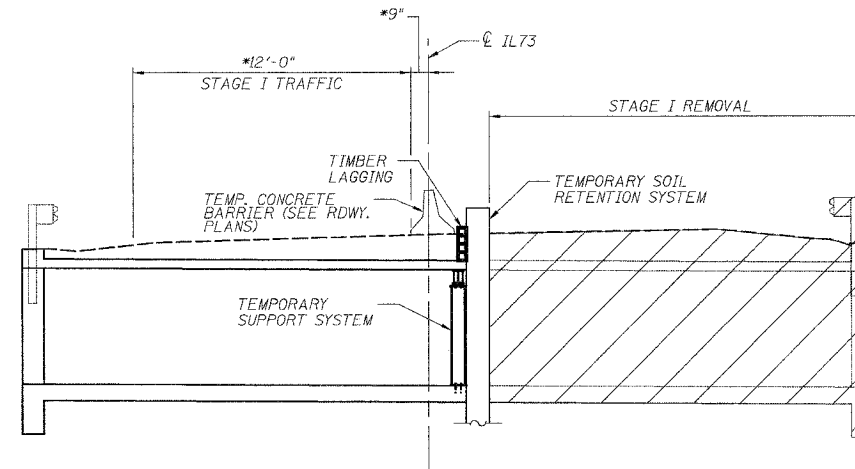


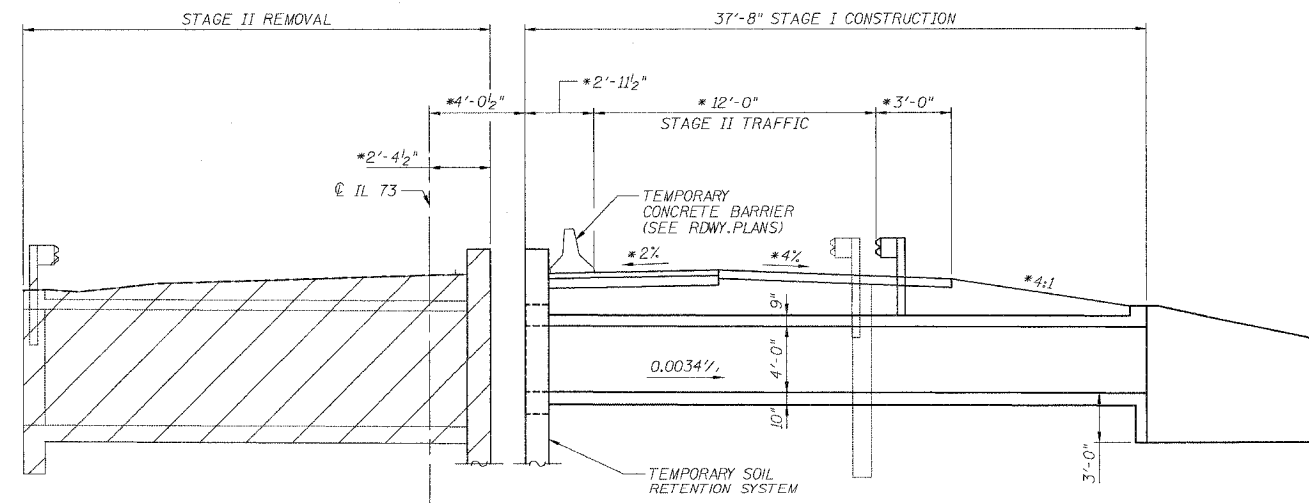
STATE OF ILLINOIS  
DEPARTMENT OF TRANSPORTATION

ROUTE NO.	SECTION	COUNTY	TOTAL SHEETS	SHEET NO.	SHEET NO. 02 13 SHEETS
F.A.S. 1087	106T-1	STEPHENSON	78	33	
FED. ROAD DIST. NO. 2	ILLINOIS	FED. AID PROJECT-			

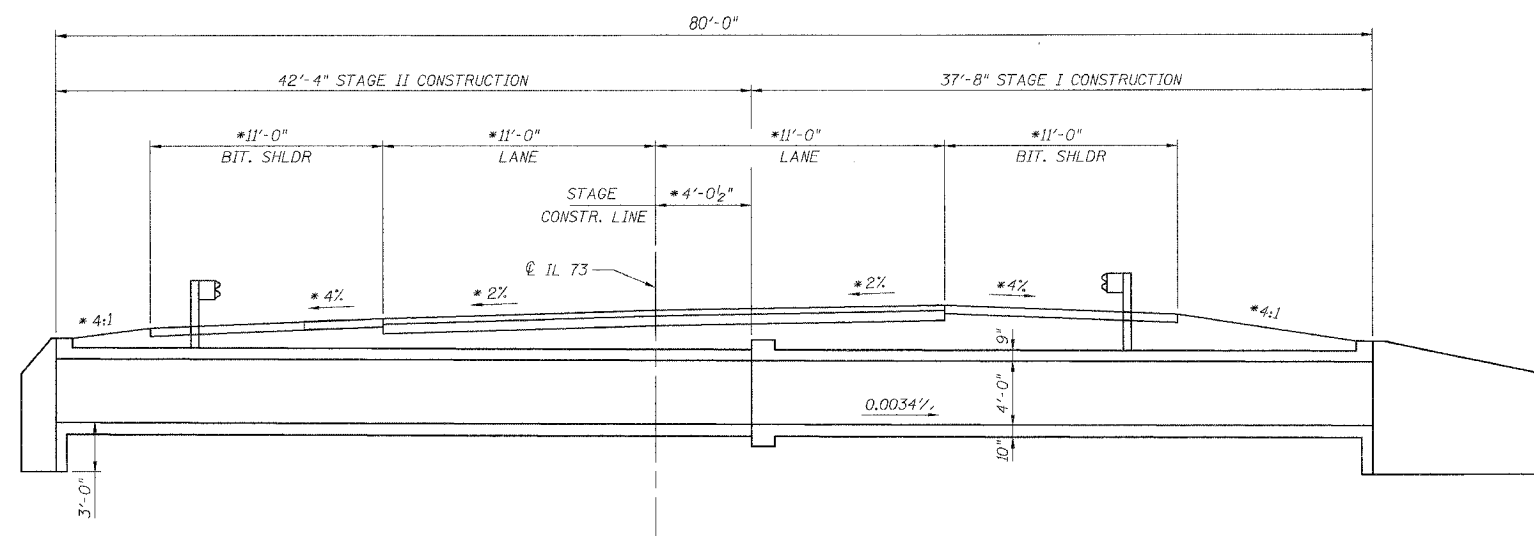
Contract # 64CB4



**STAGE I**



**STAGE II**



**FINAL CROSS SECTION**

\* MEASURED PERPENDICULAR TO ROADWAY CENTERLINE

**STAGING NOTES**

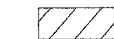
STAGE I REMOVAL & CONSTRUCTION

1. INSTALL TEMPORARY SUPPORT SYSTEM
2. INSTALL TEMPORARY CONCRETE BARRIER AS SHOWN TO MAINTAIN ONE (1) LANE OF TRAFFIC.
3. INSTALL STAGE I TEMPORARY SOIL RETENTION SYSTEM
4. PERFORM STAGE I REMOVAL.
5. CONSTRUCT STAGE I PORTION OF THE STRUCTURE.
6. ADJUST TEMPORARY SOIL RETENTION SYSTEM FOR STAGE II.
7. CONSTRUCT ROADWAY PAVEMENT.

STAGE II REMOVAL & CONSTRUCTION

1. RELOCATE TEMPORARY CONCRETE BARRIER AS REQUIRED TO MAINTAIN ONE (1) LANE OF TRAFFIC.
2. REMOVE REMAINING PORTION OF THE STRUCTURE & TEMPORARY SUPPORT SYSTEM
3. CONSTRUCT STAGE II PORTION OF THE STRUCTURE
4. CONSTRUCT ROADWAY PAVEMENT. (MOVE CONCRETE BARRIER AS REQUIRED TO CONSTRUCT THE ROADWAY PAVEMENT.)

**LEGEND**

 REMOVAL OF EXISTING STRUCTURES

DESIGNED -	WSP
CHECKED -	WSP
DRAWN -	BEM
CHECKED -	WSP

**STAGE PLANNING**  
F.A.S. 1087 IL. RTE. 73 OVER  
UNAMED TRIBUTARY TO PECATONICA RIVER  
SECTION 106T-1  
STEPHENSON COUNTY  
STATION 966+60.00  
STRUCTURE NO. 089-1109