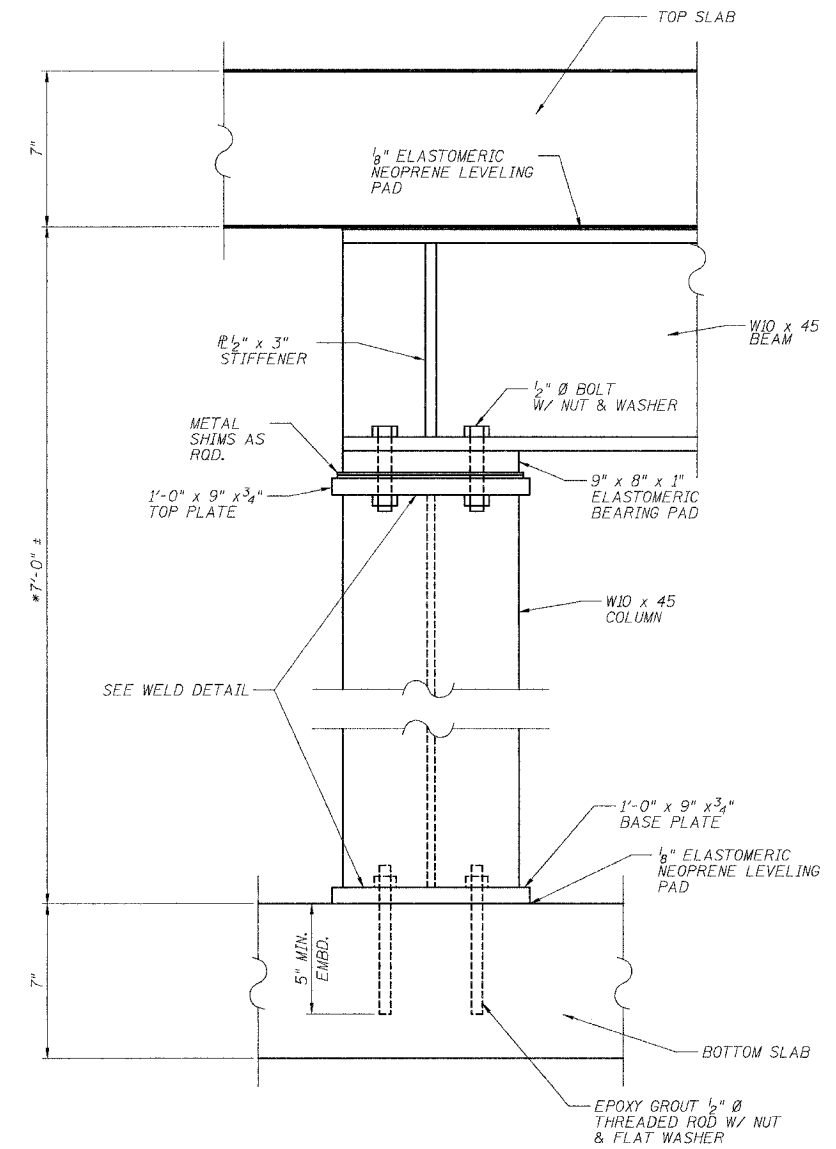
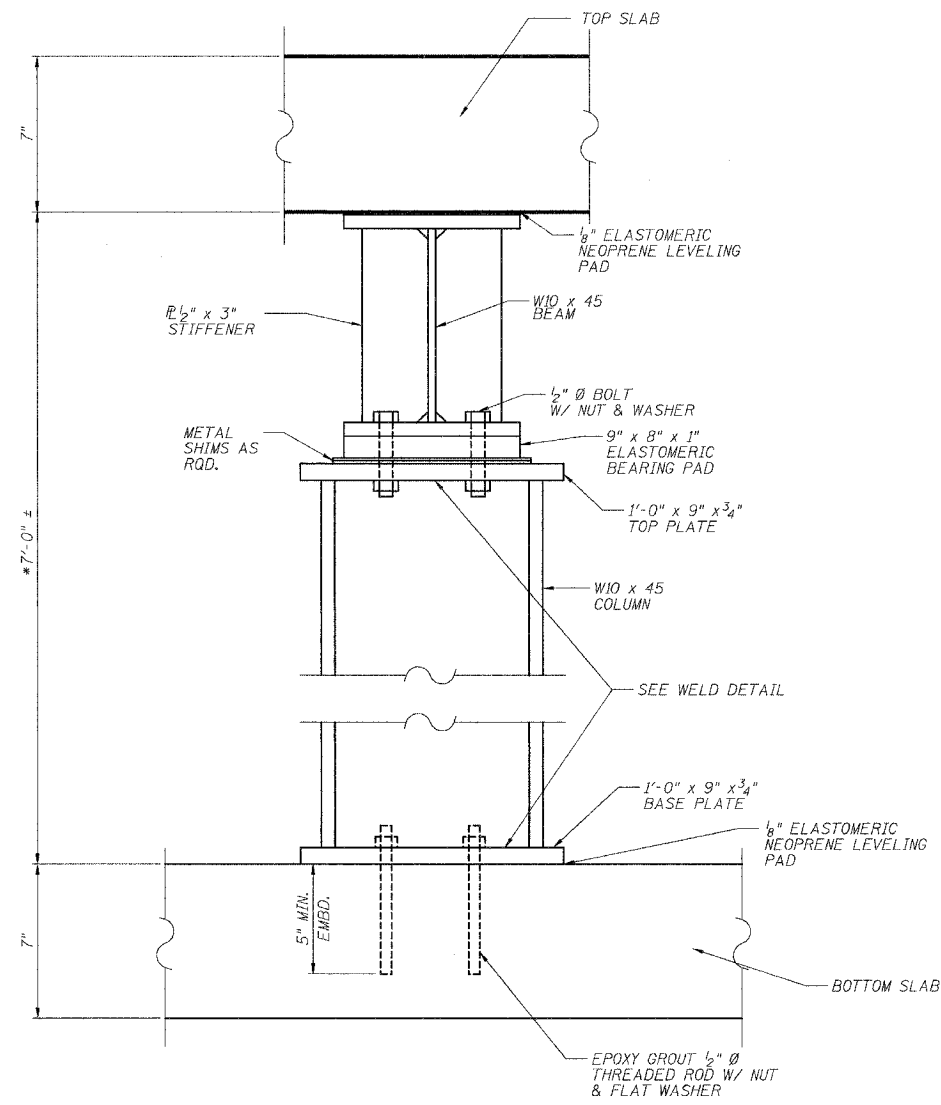


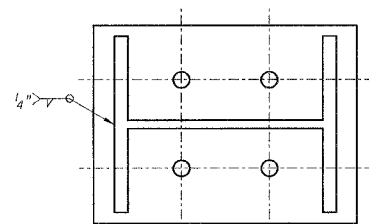
STATE OF ILLINOIS  
DEPARTMENT OF TRANSPORTATION

ROUTE NO.	SECTION	COUNTY	TOTAL SHEETS	SHEET NO.	SHEET NO. 04 13 SHEETS
F.A.S. 1087	106T-1	STEPHENSON	78	35	
FED. ROAD DIST. NO. 2		ILLINOIS	FED. AID PROJECT-		

Contract # 64C84

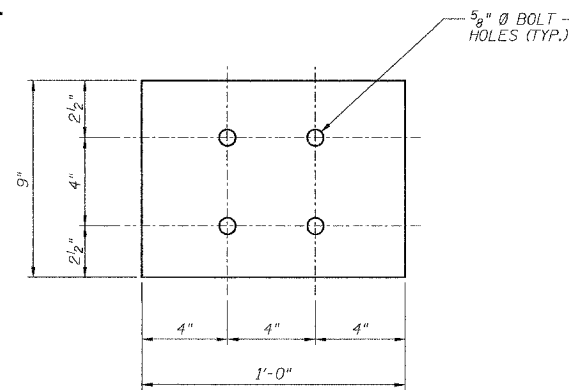


\*DIMENSIONS TAKEN FROM EXISTING  
CULVERT PLANS. CONTRACTOR TO FIELD  
VERIFY DIMENSIONS PRIOR TO ORDERING  
AND FABRICATING TEMPORARY SUPPORT  
SYSTEM



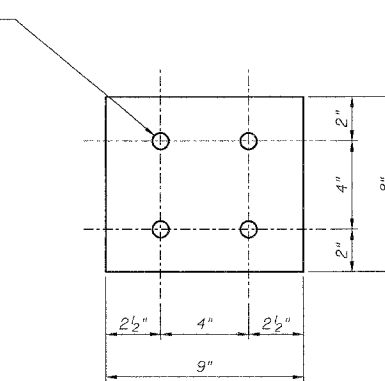
**WELD DETAIL**  
(SIMILAR @ TOP & BOTTOM PLATES)

**VIEW**



**TOP PLATE / BASE PLATE**

**VIEW**



**ELASTOMERIC BEARING PAD**

DESIGNED -	ASP
CHECKED -	WSP
DRAWN -	BEM
CHECKED -	WSP

**TEMPORARY STAGING  
SUPPORT DETAILS**  
F.A.S. 1087 IL. RTE. 73 OVER  
UNAMED TRIBUTARY TO PECATONICA RIVER  
SECTION 106T-1  
STEPHENSON COUNTY  
STATION 966+60.00  
STRUCTURE NO. 089-1109