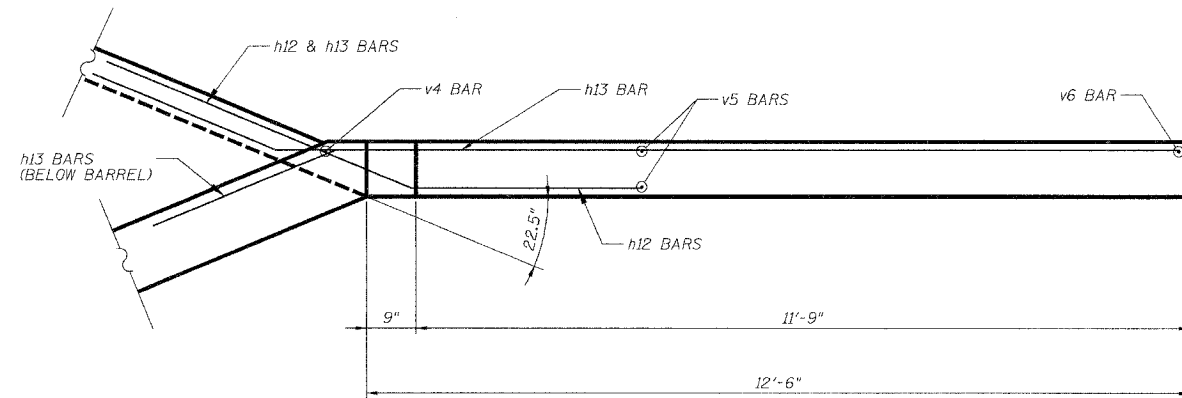


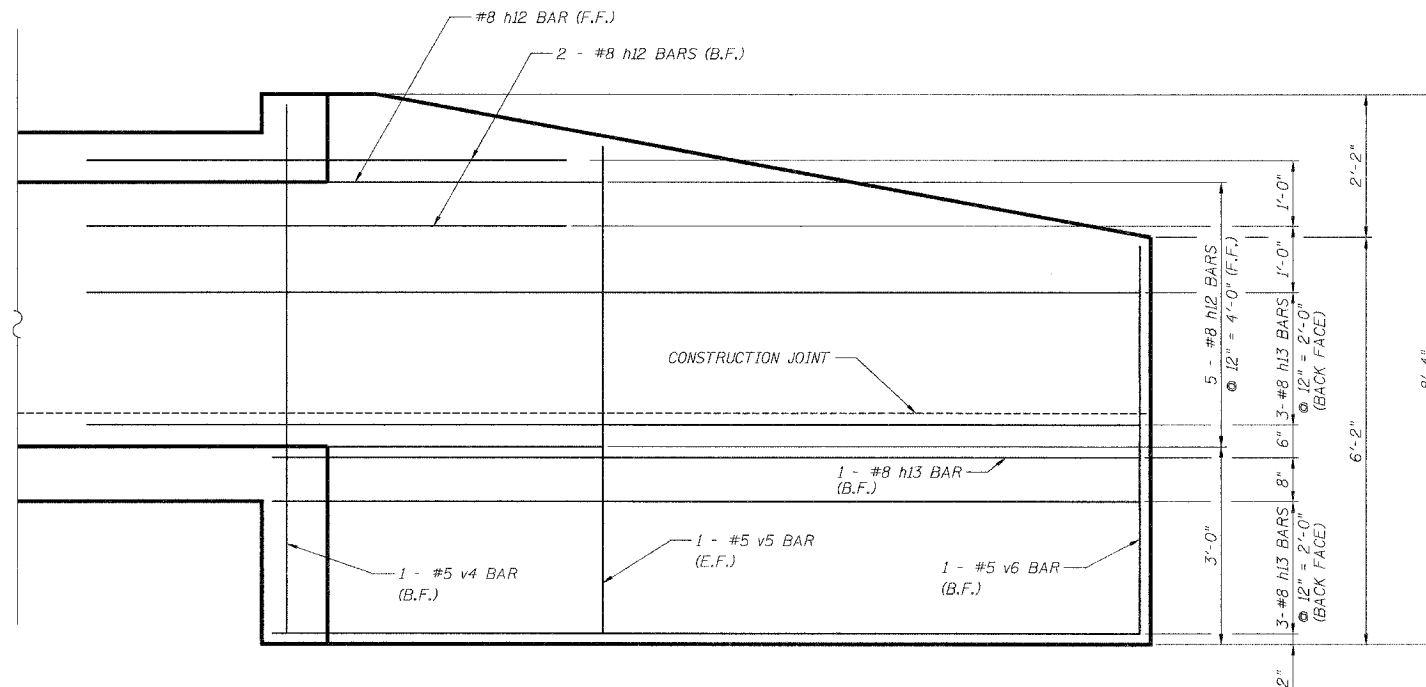
STATE OF ILLINOIS  
DEPARTMENT OF TRANSPORTATION

ROUTE NO.	SECTION	COUNTY	STATION	PIELET NO.	SHEET NO. 09 13 SHEETS
F.A.S. 1087	106T-1	STEPHENSON	78	40	
FED. ROAD DIST. NO. 2		ILLINOIS	FED. AID PROJECT-		

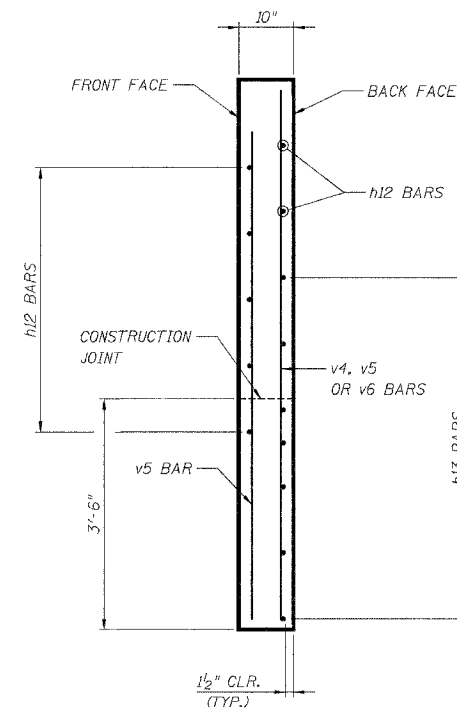
Contract # 64C84



**WINGS B & C PLAN**



**WINGS B & C ELEVATION**



**WINGS B & C TYPICAL SECTION**

**LEGEND**

B.F. = BACK FACE  
F.F. = FRONT FACE  
E.F. = EACH FACE

DESIGNED -	WSP
CHECKED -	ASP
DRAWN -	BGC
CHECKED -	WSP

**WINGS B & C**  
**F.A.S. 1087 IL. RTE. 73 OVER**  
**UNAMED TRIBUTARY TO PECATONICA RIVER**  
**SECTION 106T-1**  
**STEPHENSON COUNTY**  
**STATION 966+60.00**  
**STRUCTURE NO. 089-1109**