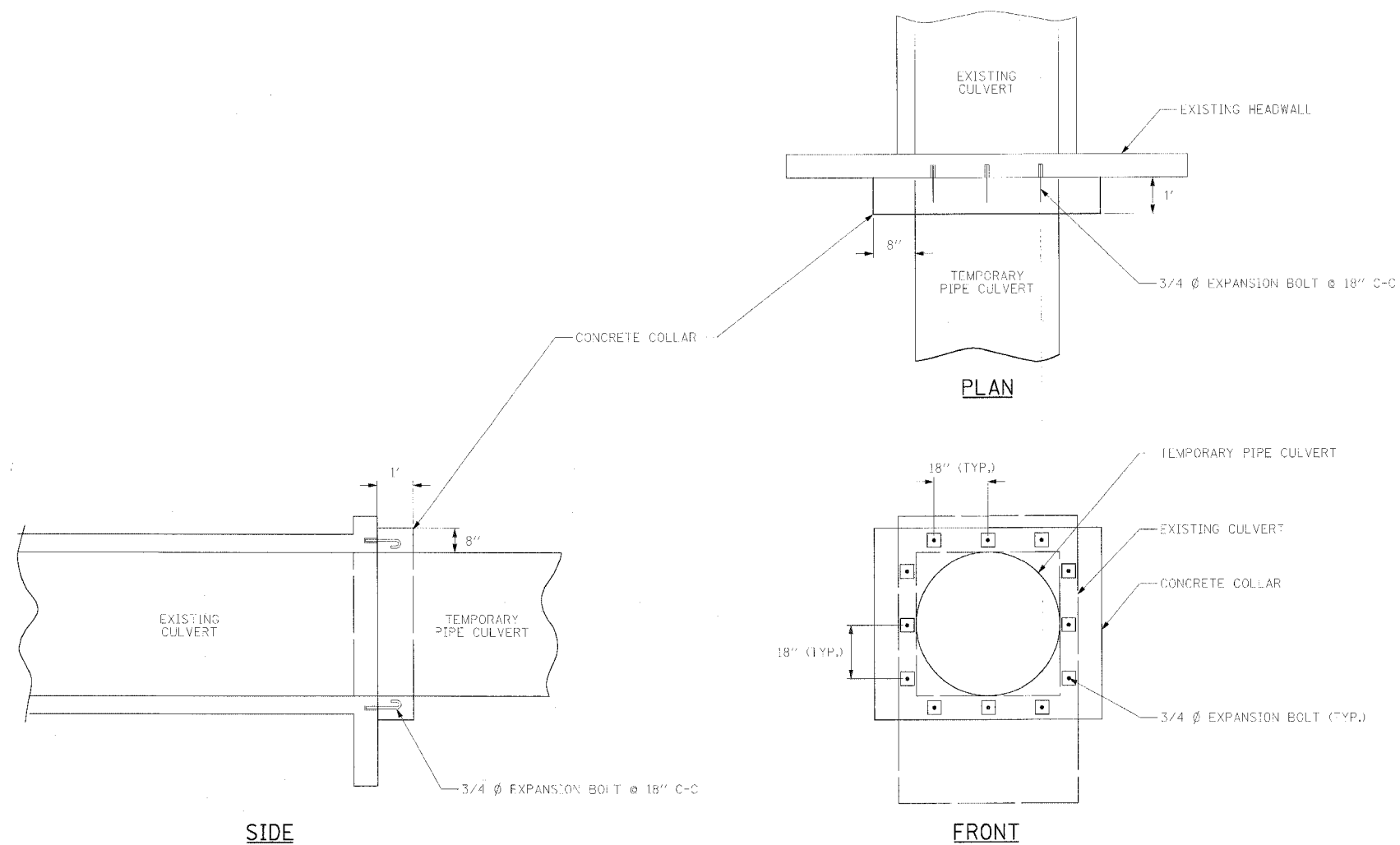


F.A.S. RTE.	SECTION	COUNTY	TOTAL SHEETS	SHEET NO.
1087	106T-1	STEPHENSON	78	45
STA.		TO STA.		
FED. ROAD DIST. NO.		ILLINOIS FED. AID PROJECT		



GENERAL NOTES:
 CONCRETE COLLARS SHALL BE CONSTRUCTED OF CLASS SI CONCRETE IN ACCORDANCE WITH SECTION 503 OF THE STANDARD SPECIFICATIONS.

THE CONCRETE WILL BE PAID FOR AT THE CONTRACT UNIT PRICE PER CUBIC YARD FOR CONCRETE COLLAR. EXPANSION BOLTS WILL BE PAID FOR AT THE CONTRACT UNIT PRICE EACH FOR EXPANSION BOLTS OF THE SIZE INDICATED, WHICH PRICE SHALL INCLUDE FURNISHING, DRILLING HOLES, AND INSTALLING THE EXPANSION BOLTS COMPLETE IN PLACE. THE BOLTS SHALL EXTEND AT LEAST 8 INCHES INTO THE NEW CONCRETE.

DATE *
 USER *
 SCALE *
 USER NAME *

REVISIONS	
NAME	DATE

ILLINOIS DEPARTMENT OF TRANSPORTATION
CONCRETE COLLAR DETAIL
 IL RTE 73 CULVERT REPLACEMENTS

SCALE: VERT.: N.A.
 HORIZ.: N.A.
 DATE: OCTOBER 1, 2007

DRAWN BY: DLZ
 CHECKED BY: GB