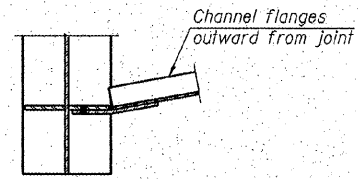


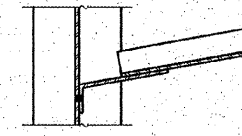
STATE OF ILLINOIS
DEPARTMENT OF TRANSPORTATION

ROUTE NO. F.A.P. 313	SECTION (7B)BR	COUNTY HENDERSON	TOTAL SHEETS 68	SHEET NO. 24	SHEET NO. 10 21 SHEETS
FED. ROAD DIST. NO. 7		ILLINOIS	FED. AID PROJECT-		

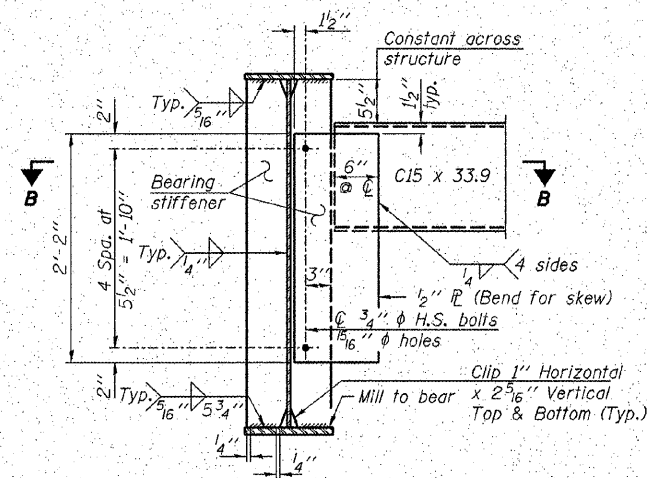
Contract #68149



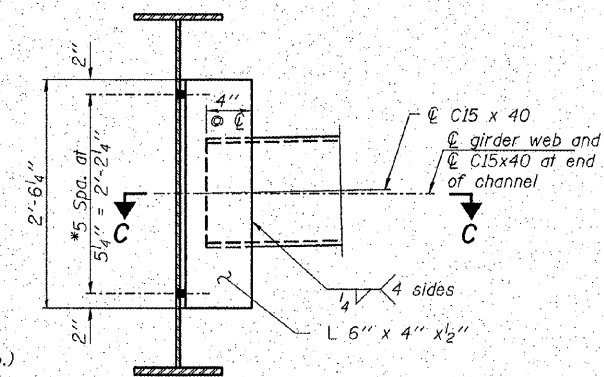
SECTION B-B



SECTION C-C



Note: **END DIAPHRAGM**
Two hardened washers required for each set of oversized holes.



Note:
Two hardened washers required for each set of oversized holes.
* 3/4" H.S. bolts, 1 1/16" holes

	HAMPTON, LENZINI & RENWICK, INC. CIVIL & STRUCTURAL ENGINEERS LAND SURVEYORS 3085 STEVENSON DRIVE, SUITE 201 SPRINGFIELD, ILLINOIS 62703 (217) 545-3400	STRUCTURAL STEEL DETAILS U.S. 34 OVER P.D. CREEK F.A.P. 313 / SECTION (7B)BR HENDERSON COUNTY STRUCTURE NO. 036-0052 / STATION 301+23
	ELGIN • SPRINGFIELD PROJECT NUMBER: 12-44-0001-1 DATE: 11/19/07 DESIGNED: D.A.B. CHECKED: M.G.B. DRAWN: D.T.M.	