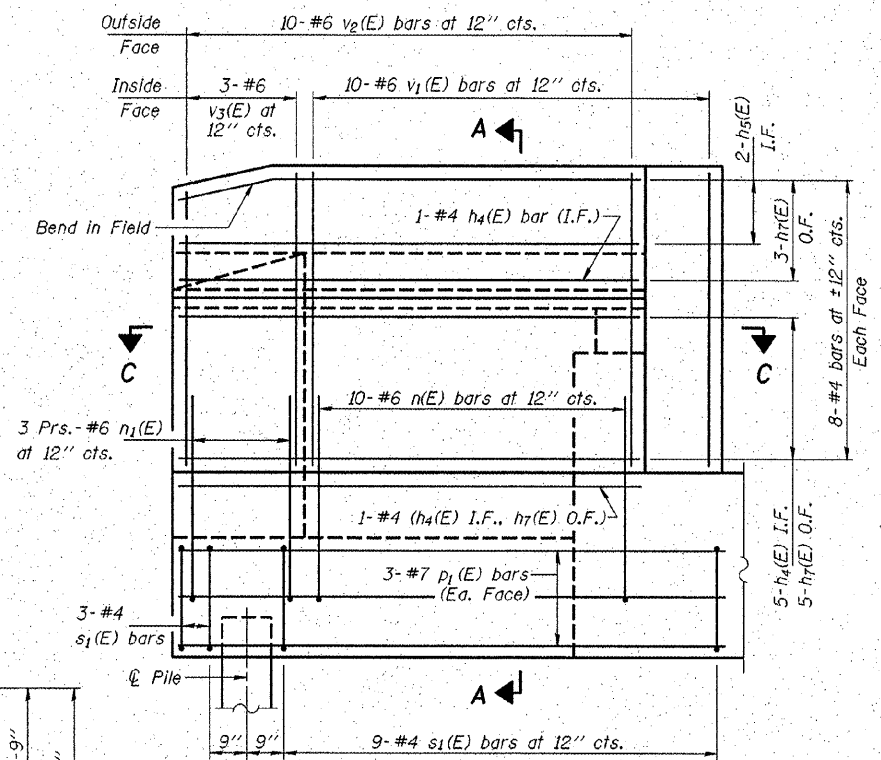
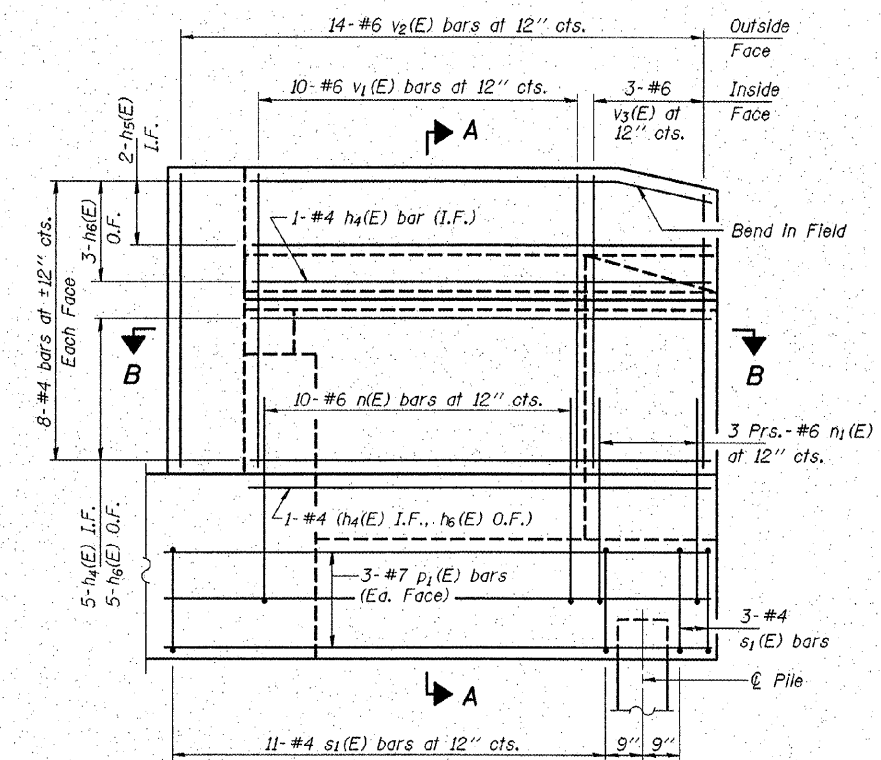


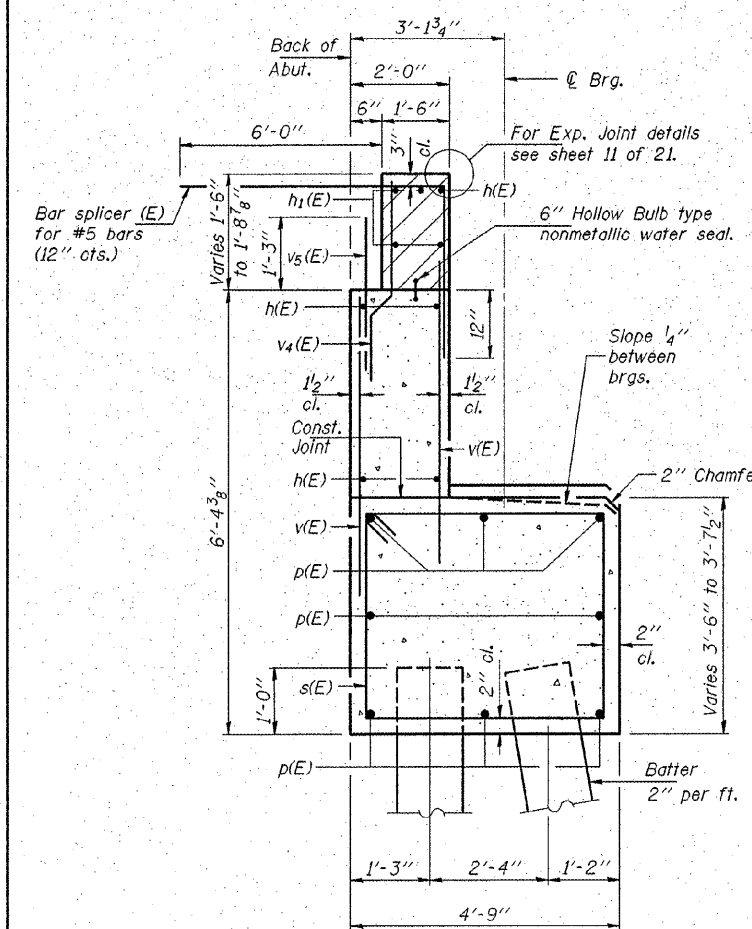
WING WALL ELEVATION
Showing Dimensions



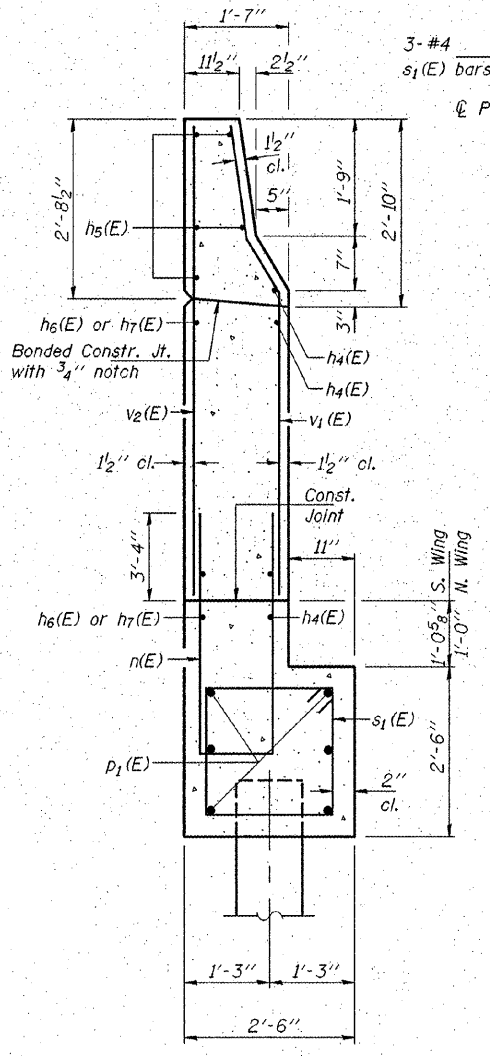
SOUTH WING WALL ELEVATION
Showing Reinforcement



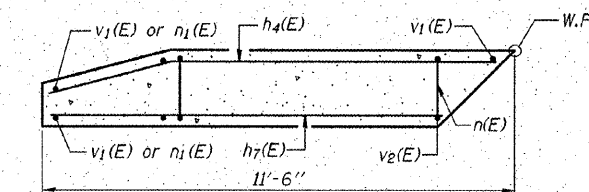
NORTH WING WALL ELEVATION
Showing Reinforcement



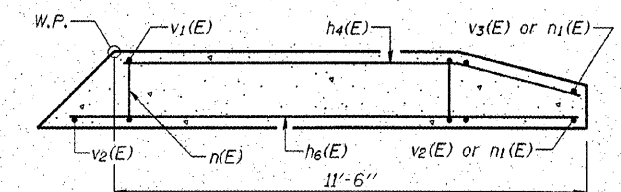
SEC. THRU ABUT.



SEC. A-A



SEC. C-C



SEC. B-B

Notes: Concrete Sealer shall be applied to all exposed surface areas of the abutment backwall, seat, and cap.
Hatched area to be poured after superstructure forms have been removed. Quantity of concrete included with Concrete Superstructure on sheet 8 of 21.
Space reinforcement in cap to miss anchor bolts.
Pour steps monolithically with cap.
Reinforcement bars designated (E) shall be epoxy coated.
Quantity of concrete in end post included with Concrete Superstructure on sheet 8 of 21.
See Sheet 18 of 21 for pile details.

	HAMPTON, LENZINI & RENWICK, INC. CIVIL & STRUCTURAL ENGINEERS LAND SURVEYORS 3085 STEVENSON DRIVE, SUITE 201 SPRINGFIELD, ILLINOIS 62703 (217) 546-3400	WEST ABUTMENT DETAILS U.S. 34 OVER P.D. CREEK F.A.P. 313 / SECTION (7B)BR HENDERSON COUNTY STRUCTURE NO. 036-0052 / STATION 301+23
	ELGIN • SPRINGFIELD PROJECT NUMBER: 12 44 0001 x DATE: 08/24/07 DESIGNED: D.A.B. CHECKED: M.G.B. DRAWN: ballva	