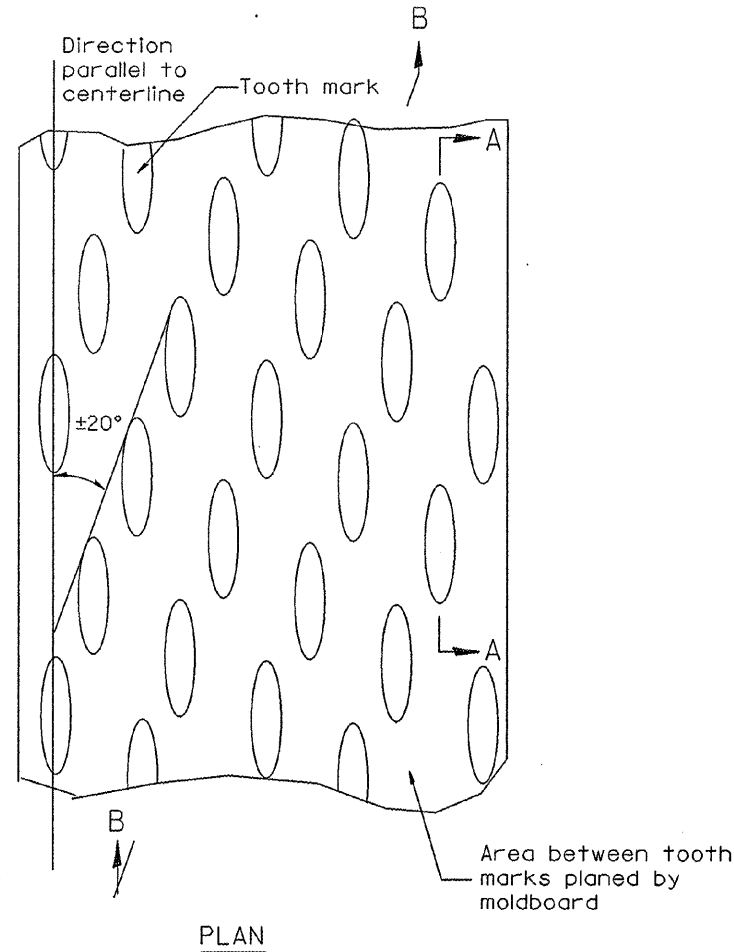
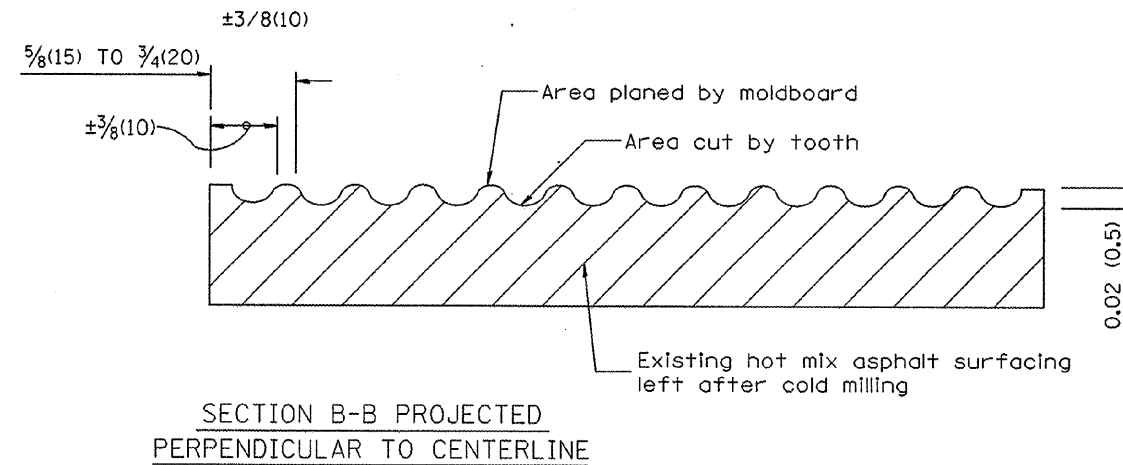
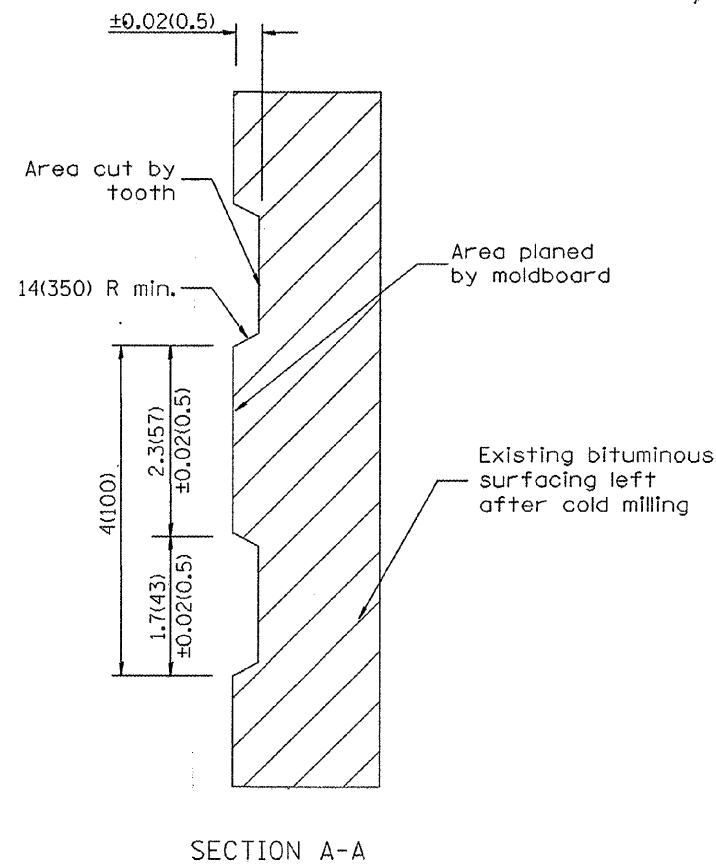


F.A.P. RTE.	SECTION	COUNTY	TOTAL SHEETS	SHEET NO.
313	(7BY)BR	HENDERSON	68	41
STA.		TO STA.		
FED. ROAD DIST. NO.	ILLINOIS	FED. AID PROJECT		



General notes:

1. Coldmilling shall consist of two processes: Cutting with carbide teeth mounted on a rotating drum, and planing with a moldboard mounted immediately behind the cutting drum.
2. Other similar patterns will be acceptable if they consist of a smooth, flat, planed surface interspersed with a pattern of discontinuous longitudinal striations.



All dimensions are in Inches (millimeters) unless otherwise noted.

ILLINOIS DEPARTMENT OF TRANSPORTATION
DISTRICT CADD STANDARD

DATE	REVISIONS	BY
1-1-97	RENUM. C-104.01, NEW REVISION BOX	T. P.
4-20-98	REMOVED MILLING DETAIL FROM STD.	J. A.
9-08-98	CORRECT NOTE LEADER PLACEMENT	R. W.
10-16-06	REVISED TO 2007 SPEC.	M.A.

HOT MIX ASPHALT
SURFACE REMOVAL
(COLD MILLING)

CADD STD NO. 440001-D4

SCALE: NOT DRAWN TO SCALE
DATE
DRAWN BY CADD
CHECKED BY

DESIGNER NOTE
1. INCLUDE DISTRICT SPECIAL PROVISION, IF APPLICABLE.