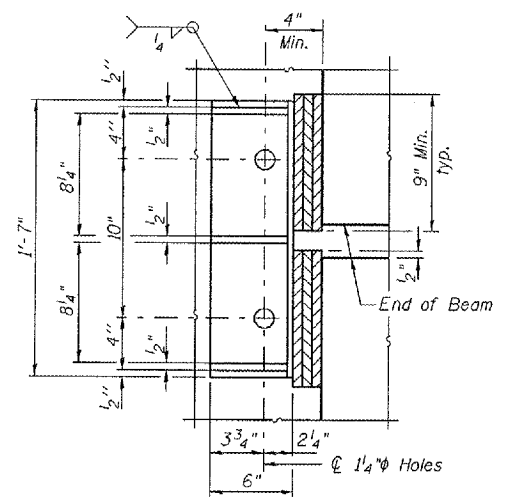
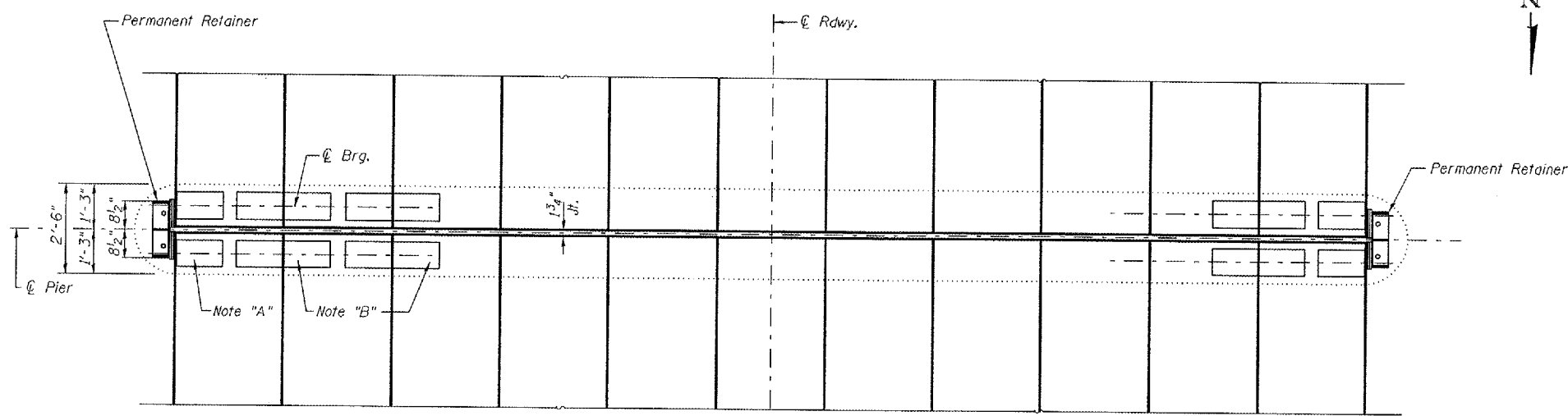


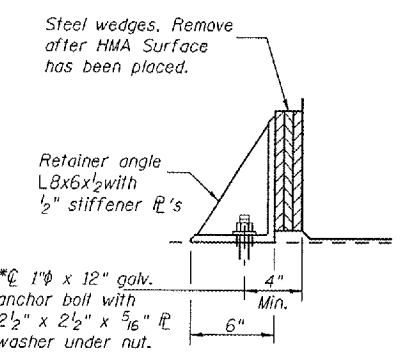
PLAN - PIER 1



PLAN



PLAN - PIER 3



ELEVATION

RETAINER ANGLE DETAIL

Note "A": Fabric Bearing Pad (2) 9"x 1/4" x 1'-3 1/2"
Typical at each outside beam.

Note "B": Fabric Bearing Pad (2) 9"x 1/4" x 2'-7".
Typical at each interior beam except as noted.

Notes:
The permanent retainers and hardware shall be galvanized after shop fabrication accordance to AASHTO M111 ASTM 385.
Anchor bolts shall be ASTM F1554 all-thread (or an Engineer-approved alternate material) of the grade(s) and diameter(s) specified. ASTM A307 Grade C anchor bolts may be used in lieu of ASTM F1554 Grade 36 (Fy=36ksi). The corresponding specified grade of AASHTO M314 anchor bolts may be used in lieu of ASTM F1554.
Drilled and set anchor bolts shall be installed according to Article 521.06 of the Standard Specifications.
Cost of retainers, accessories, and galvanizing are included with Erecting Precast Prestressed Concrete Deck Beams.

DESIGNED	BAN
CHECKED	JOH
DRAWN	TC/TD
CHECKED	BAN

PIERS 1 & 3
ILLINOIS ROUTE 78 OVER
MAUVAISE TERRE CREEK
F.A.P. 614 SEC. 148BR-2
MORGAN COUNTY
STATION 16+34.85
STR. NO. 069-0005

HUTCHISON ENGINEERING, INC.
 JACKSONVILLE, ILLINOIS
 Rev: _____ Date: _____