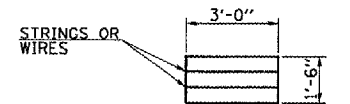
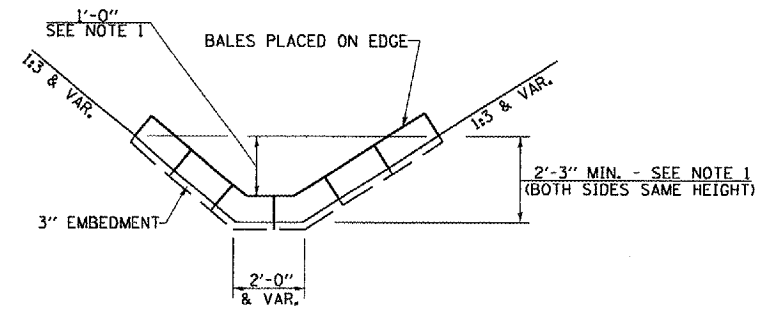


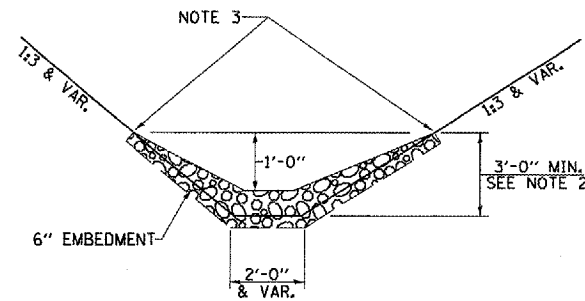
F.A.P. RTE.	SECTION	COUNTY	TOTAL SHEETS	SHEET NO.
315	*	LOGAN	79	22
FED. ROAD DIST. NO.		ILLINOIS FED. AID PROJECT		
		* - 116(B-1) & 116(B-2)		



HAY OR STRAW BALE
(TYPICAL ELEVATION)



HAY OR STRAW BALE TEMPORARY DITCH CHECK
(TYPICAL)



STONE DUMPED RIPRAP DITCH CHECK
(TYPICAL)

NOTE 1: BALES SHALL EXTEND FAR ENOUGH UP THE SLOPES TO ALLOW 1'-0" OVERTOPPING TO AVOID ERODING AROUND THE EDGES OF THE BALES.

NOTE 2: RIPRAP SHALL EXTEND FAR ENOUGH UP THE SLOPES TO ALLOW 1'-0" OVERTOPPING TO AVOID ERODING AROUND THE EDGES OF THE RIPRAP.

NOTE 3: ENDS SHALL BE TIED INTO SLOPES.

LEGEND FOR STORM WATER POLLUTION PREVENTION PLAN

ITEM	SYMBOL
AGGREGATE (EROSION CONTROL) [STONE DUMPED RIPRAP DITCH CHECKS (Height = 0.6 m)]	
TEMPORARY DITCH CHECKS (HAY OR STRAW BALE DITCH CHECKS OR APPROVED SUBSTITUTION)	
INLET PIPE PROTECTION (I&PP) (HAY OR STRAW BALE DITCH CHECKS OR APPROVED SUBSTITUTION)	
EROSION CONTROL FENCE	
EARTH EXCAVATION FOR EROSION CONTROL (SEDIMENT BASINS)	
PRESERVE EXISTING TREES, WOODLANDS, AND UNDERSTORY (OUTSIDE CONSTRUCTION LIMITS)	
ITEM PLACED AT BEGINNING OF CONSTRUCTION (REQUIREMENT)	
ITEM PLACED AS DIRECTED BY ENGINEER (WHEN REQUIRED BY SITUATION)	
DIRECTION OF OVERLAND FLOW	

GENERAL NOTES:
ALL ITEMS SHALL BE CONSTRUCTED AS SHOWN ON THIS SHEET, ON STANDARD 280001, AND AS DIRECTED BY THE ENGINEER.

THE SYMBOLOGY ON THE STORM WATER POLLUTION PREVENTION PLAN SHEETS DOES NOT REPRESENT THE SIZE OR QUANTITY OF BALES, FOR NUMBER OF BALES REFER TO DETAILS AND NOTES SHOWN ON THIS SHEET AND/OR AS DIRECTED BY THE ENGINEER.
SEE SHEET NO. 13 FOR EROSION CONTROL ITEMS SCHEDULE.

PLOT DATE = 7/9/2007
FILE NAME = 022-025.dgn
MODEL NAME = D02011

**STORM WATER POLLUTION
PREVENTION PLAN**
U.S. 136 OVER PRAIRIE CREEK DITCH
F.A.P. RTE. 315 - SECTION 116 (BR-1)
STA. 85+45.00
S.N. 054-0024
U.S. 136 OVER PRAIRIE CREEK
F.A.P. RTE. 315 - SECTION 116 (BR-2)
STA. 314+50.00
S.N. 054-0025
LOGAN COUNTY