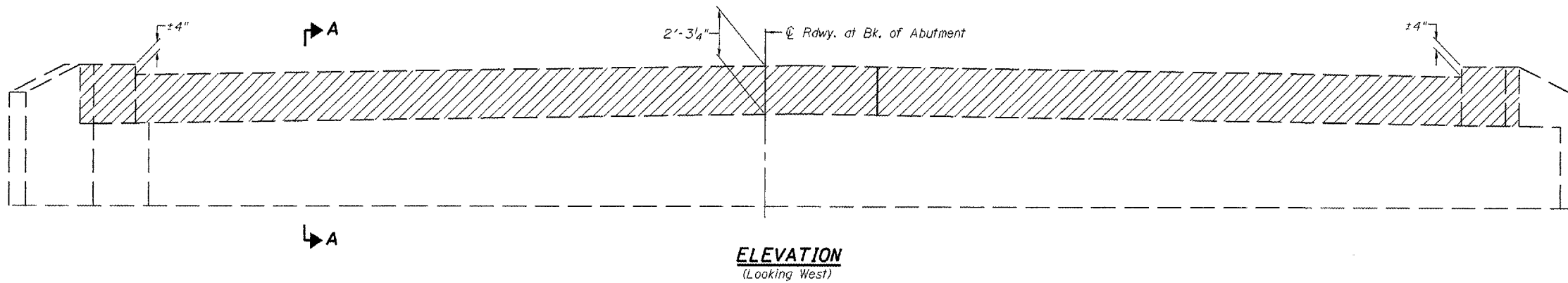
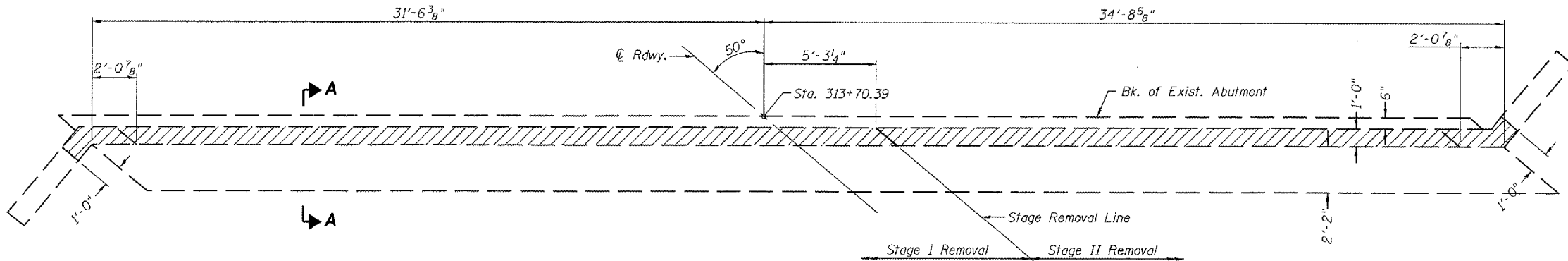


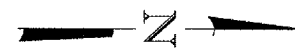
F.A.P. RTE.	SECTION	COUNTY	TOTAL SHEETS	SHEET NO.
315	116(BR-2)	LOGAN	79	52
STA. 309+00		TO STA. 318+90		
FED. ROAD DIST. NO.	ILLINOIS	FED. AID PROJECT		



**ELEVATION**  
(Looking West)



**PLAN**

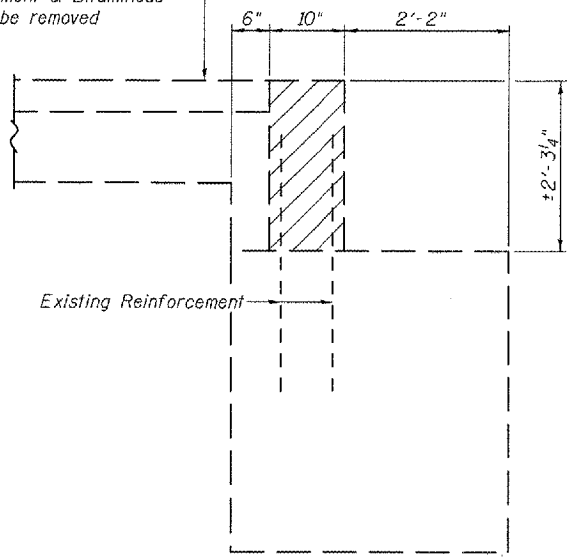


**LEGEND**

- Concrete Removal

Notes: Existing vertical reinforcing steel in backwall shall be cleaned, straightened, cut (if required), and incorporated into new construction. Damaged reinforcing steel shall be replaced or removed as directed by the Engineer. Cost included with "Concrete Removal".  
Removal of the existing joint system is included in the cost of "Concrete Removal".

Existing P.C.C. Pavement & Bituminous Wearing Surface to be removed (See Roadway Plans)



**SECTION A-A**

(Dimensions are at Rt. angles to abutment)

**BILL OF MATERIAL**

ITEM	UNIT	QUANTITY
Concrete Removal	Cu. Yd.	4.90

**WEST ABUTMENT REMOVAL**  
F.A.P. ROUTE 315 - (U.S. 136)  
OVER PRAIRIE CREEK  
SECTION 116(BR-2)  
LOGAN COUNTY  
STA. 314+50.00  
S.N. 054-0025

PLOT DATE = 7/1/2007  
 FILE NAME = G:\projects\116(BR-2)\116(BR-2)10.dwg  
 PLOT NAME = 0210172997-000-010