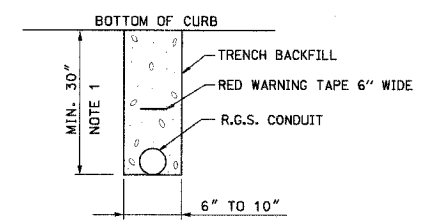
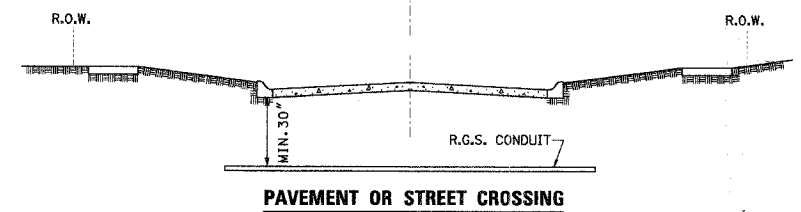


NOTE:
 ALL CONDUCTORS IN THE UNIT DUCT RUNS SHALL HAVE COLOR CODED INSULATION THROUGHOUT THE ENTIRE LENGTH OF THE CONDUCTOR. THE COLOR IDENTIFICATION FOR THE SYSTEM GROUND SHALL BE GREEN. THE PHASE CONDUCTORS SHALL BE PER IDOT STANDARD 1066.02 (A).

ONE LINE CIRCUIT DIAGRAM
 N.T.S.

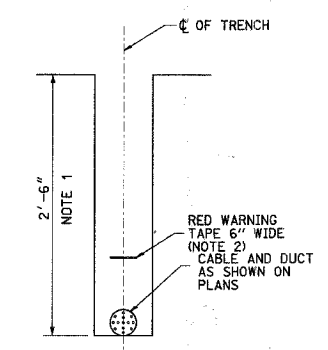
LUMINAIRE AND POLE SCHEDULE

LIGHT POLE IDENTIFIER	LIGHT POLE SYMBOL/TYPE	LUMINAIRE MTG. HEIGHT	POLE ARM LENGTH	LUMINAIRE WATTAGE	LUMINAIRE CIRCUIT NO.	RECEPTACLE CIRCUIT NO.
P1	1	26'-0"	6'-0"	250W	A	E
P2	1	26'-0"	6'-0"	250W	A	E
P3	1	26'-0"	6'-0"	250W	B	F
P4	1	26'-0"	6'-0"	250W	A	E
P5	1	26'-0"	6'-0"	250W	B	F
P6	1	26'-0"	6'-0"	250W	A	E
P7	1	26'-0"	6'-0"	250W	B	F
P8	1	26'-0"	6'-0"	250W	A	E
P9	1	26'-0"	6'-0"	250W	B	F
P10	1	26'-0"	6'-0"	250W	B	G
P11	1	26'-0"	6'-0"	250W	A	H
P12	1	26'-0"	6'-0"	250W	B	G
P13	1	26'-0"	6'-0"	250W	B	G
P14	1	26'-0"	6'-0"	250W	A	H
P15	1	26'-0"	6'-0"	250W	B	G
P16	1	26'-0"	6'-0"	250W	A	H
P17	1	26'-0"	6'-0"	250W	A	H
P18	1	26'-0"	6'-0"	250W	B	G
P19	1	26'-0"	6'-0"	250W	A	H
P20	1	26'-0"	6'-0"	250W	B	G
P21	1	26'-0"	6'-0"	250W	A	H
P22	1	26'-0"	6'-0"	250W	B	G
P23	1	26'-0"	6'-0"	250W	C	I
P24	1	26'-0"	6'-0"	250W	C	I
P25	1	26'-0"	6'-0"	250W	D	J
P26	1	26'-0"	6'-0"	250W	C	I
P27	1	26'-0"	6'-0"	250W	D	J
P28	1	26'-0"	6'-0"	250W	C	I
P29	1	26'-0"	6'-0"	250W	D	J
P30	1	26'-0"	6'-0"	250W	C	I
P31	1	26'-0"	6'-0"	250W	D	J
P32	1	26'-0"	6'-0"	250W	D	L
P33	1	26'-0"	6'-0"	250W	C	K
P34	1	26'-0"	6'-0"	250W	D	L
P35	1	26'-0"	6'-0"	250W	D	L
P36	1	26'-0"	6'-0"	250W	C	K
P37	1	26'-0"	6'-0"	250W	D	L
P38	1	26'-0"	6'-0"	250W	C	K
P39	1	26'-0"	6'-0"	250W	C	K
P40	1	26'-0"	6'-0"	250W	D	L
P41	1	26'-0"	6'-0"	250W	C	K
P42	1	26'-0"	6'-0"	250W	D	L
P43	1	26'-0"	6'-0"	250W	D	L
P44	1	26'-0"	6'-0"	250W	C	K
P45	1	26'-0"	6'-0"	250W	D	L



- TRENCH SECTION**
- CONDUIT SHALL BE RIGID GALVANIZED STEEL (R.G.S.)
 - CONDUIT SHALL EXTEND A MINIMUM OF 2 FT. BEYOND BACK OF CURB OR EDGE OF PAVEMENT.
 - CONDUIT SHALL BE A MINIMUM OF 2.5 FT. BELOW CURB BOTTOM.

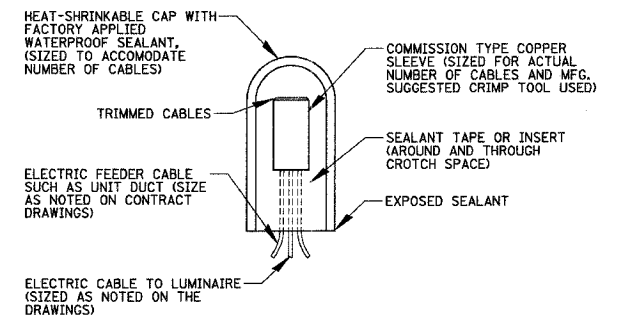
ELECTRIC CONDUIT UNDER PAVEMENT



TRENCH CROSS SECTION

- NOTES:**
- EMPTY CONDUITS/DUCTS FOR FUTURE ELECTRIC AND FUTURE TELEPHONE SHALL HAVE A MINIMUM 36" OF COVER.
 - NO WARNING TAPE REQUIRED FOR EMPTY FUTURE ELECTRIC AND TELEPHONE CONDUITS/DUCTS.

TYPICAL CONDUIT INSTALLATION DETAILS
 N.T.S.



SPlicing ELECTRIC CABLE
 N.T.S.

REVISIONS	
NAME	DATE

ILLINOIS DEPARTMENT OF TRANSPORTATION
LIGHTING DETAILS - 3
LAWRENCE AVENUE
 SCALE: VERT. HORIZ. N.T.S.
 DATE 10/29/2007
 DRAWN BY AJD
 CHECKED BY JPC

PLOT DATE = 10/29/2007
 FILE NAME = N:\HW\WOOD\HEIDT'S\06279\Light\03.dwg
 USER = P:\MAGNELL