

SUMMARY OF QUANTITIES				
CODE	PAY ITEM	UNIT	TOTAL	Y003
			QUANTITY	80% Federal 20% Local
20100110	TREE REMOVAL (6 TO 15 INCH DIAMETER)	UNIT	30	30
20200100	EARTH EXCAVATION	CUYD	275	275
20800150	TRENCH BACKFILL	CUYD	40	40
* 21101615	TOPSOIL FURNISH AND PLACE, 4"	SQYD	1,000	1,000
* 25000400	NITROGEN FERTILIZER NUTRIENT	LBS	15	15
* 25000500	PHOSPHORUS FERTILIZER NUTRIENT	LBS	15	15
* 25000600	POTASSIUM FERTILIZER NUTRIENT	LBS	15	15
* 25200100	SODDING	SQYD	1,000	1,000
* 25200200	SUPPLEMENTAL WATERING	UNIT	10	10
* 25300500	TOPSOIL FOR PLANTING	CUYD	45	45
28000510	INLET FILTERS	EACH	25	25
35101600	AGGREGATE BASE COURSE, TYPE B 4"	SQYD	1,950	1,950
35300200	PORTLAND CEMENT CONCRETE BASE COURSE, 7"	SQYD	1,350	1,350
40600100	BITUMINOUS MATERIALS (PRIME COAT)	GAL	75	75
40600300	AGGREGATE (PRIME COAT)	TON	20	20
40603315	HOT-MIX ASPHALT SURFACE COURSE, MIX "C", N70	TON	26	26
42000300	PORTLAND CEMENT CONCRETE PAVEMENT, 8"	SQYD	100	100
42101300	PROTECTIVE COAT	SQYD	4,475	4,475
42300300	PORTLAND CEMENT CONCRETE DRIVEWAY PAVEMENT,	SQYD	410	410
42400200	PORTLAND CEMENT CONCRETE SIDEWALK, 5"	SQFT	27,600	27,600
42400800	DETECTABLE WARNINGS	SQFT	1,350	1,350
44000100	PAVEMENT REMOVAL	SQYD	100	100
44000154	HOT-MIX ASPHALT SURFACE REMOVAL 1 1/4"	SQYD	585	585
44000200	DRIVEWAY PAVEMENT REMOVAL	SQYD	650	650
44000500	COMBINATION CURB AND GUTTER REMOVAL	FOOT	3,570	3,570
44000600	SIDEWALK REMOVAL	SQFT	46,000	46,000
56500600	DOMESTIC WATER SERVICE BOXES TO BE ADJUSTED	EACH	45	45
60206905	CATCH BASIN, TYPE C, TYPE 1 FRAME, OPEN LID	EACH	1	1
60234200	INLETS, TYPE A, TYPE 1 FRAME, OPEN LID	EACH	3	3
60252800	CATCH BASINS TO BE RECONSTRUCTED	EACH	6	6
60257900	MANHOLES TO BE RECONSTRUCTED	EACH	1	1
60266600	VALVE BOXES TO BE ADJUSTED	EACH	5	5
60300305	FRAMES AND LIDS TO BE ADJUSTED	EACH	30	30
60406000	FRAMES AND LIDS, TYPE 1, OPEN LID	EACH	4	4

\* DENOTES SPECIALTY ITEM

SUMMARY OF QUANTITIES				
CODE	PAY ITEM	UNIT	TOTAL	Y003
			QUANTITY	80% FEDERAL 20% LOCAL
60406100	FRAMES AND LIDS, TYPE 1, CLOSED LID	EACH	3	3
60601005	CONCRETE CURB, TYPE B (SPECIAL)	FOOT	550	550
60604100	COMBINATION CONCRETE CURB AND GUTTER, TYPE B-6.12 (MOD.)	FOOT	3,570	3,570
67100100	MOBILIZATION	LSUM	1	1
70101800	TRAFFIC CONTROL AND PROTECTION (SPECIAL)	LSUM	1	1
* 80400100	ELECTRIC SERVICE INSTALLATION	EACH	2	2
* 81018500	CONDUIT PUSHED, 2" DIA., GALVANIZED STEEL	FOOT	1,045	1,045
* 81019000	CONDUIT PUSHED, 5" DIA., GALVANIZED STEEL	FOOT	125	125
81400115	HANDHOLE TO BE ADJUSTED	EACH	21	21
* 81603080	UNIT DUCT, 600V, 3-1C NO. 4, 1/C NO. 6 GROUND, (XLP-TYPE USE), 1 1/4" DIA., POLYETHYLENE	FOOT	8,025	8,025
* 81702400	ELECTRIC CABLE IN CONDUIT, 600V, (XLP-TYPE USE) 3-1/C NO. 2	FOOT	300	300
* 81900200	TRENCH AND BACKFILL FOR ELECTRICAL WORK	FOOT	6,475	6,475
* 82500505	LIGHTING CONTROLLER, SPECIAL	EACH	2	2
* 83600200	LIGHT POLE FOUNDATION, 24" DIAMETER	FOOT	341	341
* A2000724	TREE, ACER PLATANOIDES COLUMNARE (COLUMNAR NORWAY MAPLE), 3" CALIPER, BALLED AND BURLAPPED	EACH	2	2
* A2004724	TREE, GLEDITSIA TRIACANTHOS INTERMIS SHADEMASTER (SHADEMASTER THORNLESS COMMON HONEY LOCUST) 3" CALIPER, BALLED AND BURLAPPED	EACH	6	6
* A2008124	TREE, TILIA CORDATE GREENSPIRE (GREENSPIRE LITTLE LEAF LINDEN), 3" CALIPER, BALLED AND BURLAPPED	EACH	7	7
* B2005616	TREE, PYRUS CALLERYANA BRADFORD (BRADFORD GALLERY PEAR) 2" CALIPER, TREE FORM BALLED AND BURLAPPED	EACH	2	2
XX001186	PLANTER REMOVAL	EACH	21	21
XX001672	STORM SEWERS, PVC, SDR 26, 12"	FOOT	80	80
XX003059	DECORATIVE BRICK SIDEWALK	SQFT	27,000	27,000
X0322256	TEMPORARY INFORMATION SIGNING	SQFT	103	103
XX003424	CONNECTION TO EXISTING STRUCTURE	EACH	2	2

\* DENOTES SPECIALTY ITEM

SUMMARY OF QUANTITIES				
CODE	PAY ITEM	UNIT	TOTAL	Y003
			QUANTITY	80% FEDERAL 20% LOCAL
X0323426	SEDIMENT CONTROL DRAINAGE STRUCTURE INLET FILTER CLEANING	EACH	25	25
X0323574	MAINTENANCE OF LIGHTING SYSTEM	CAL M	6	6
Z0048665	RAILROAD PROTECTIVE LIABILITY INSURANCE	L SUM	1	1
△ Z0076600	TRAINEES	HOURL	500	500
* XX007151	PLANTER RAILING	FOOT	550	550
* XX007152	DECORATIVE LIGHT POLE, ALUMINUM, 12' MOUNTING HEIGHT	EACH	56	56
* XX007153	DECORATIVE ACORN STYLE LUMINAIRE, SODIUM VAPOR, TENON MOUNT, 70 WATT	EACH	56	56
XX007000	PORTLAND CEMENT CONCRETE BASE COURSE, 3"	SQFT	8,075	8,075
* XX006937	GROUND ROD, 5/8" X 10 FT	EACH	56	56

\* DENOTES SPECIALTY ITEM

△ Y080

revised 12/21/07  
pay item x0323857 has been eliminated

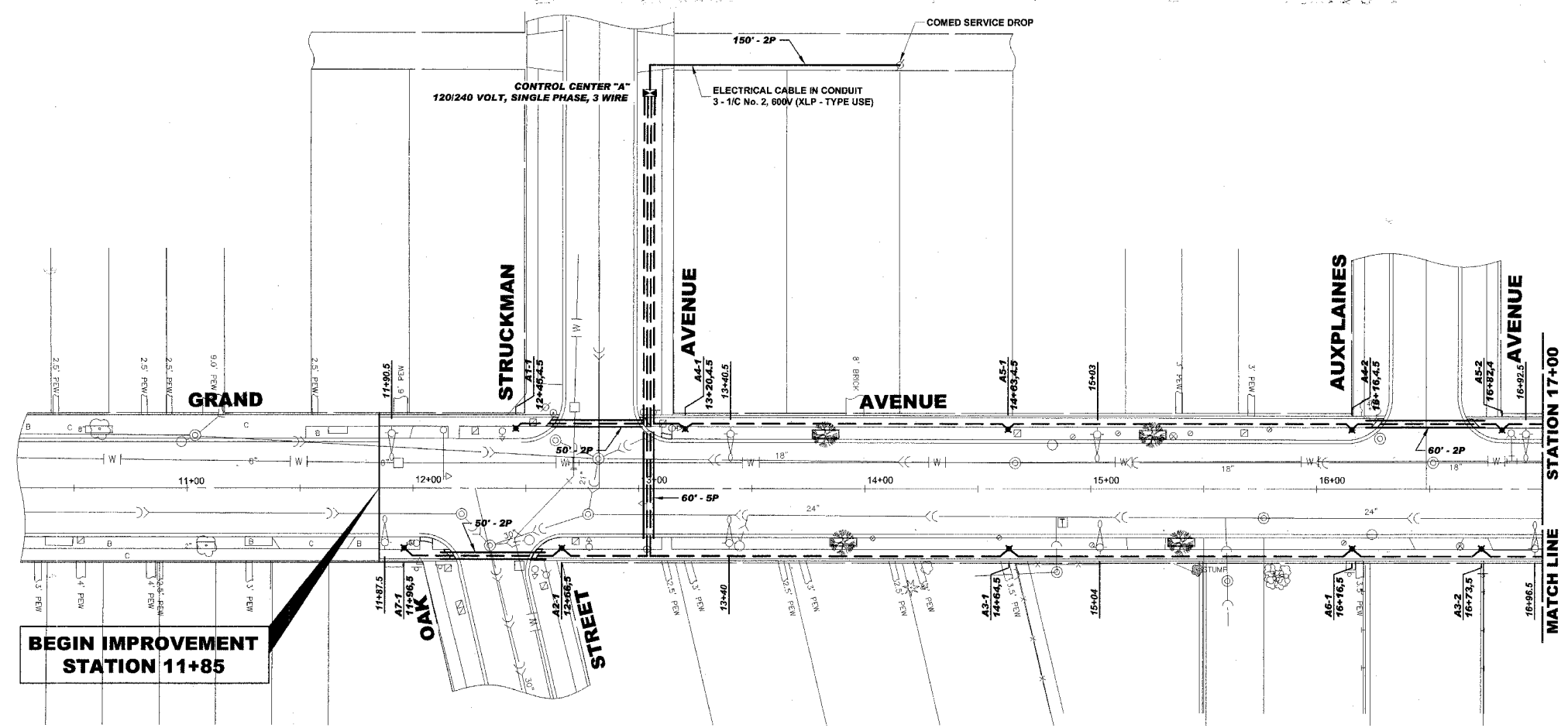
Drawing File: W:\Projects\76006033 - Grand Ave Streetscape\SUMMO1.dwg Dec 18, 2007 - 2:18pm

 <b>HANCOCK ENGINEERING</b>	◆ Civil Engineers	9933 Roosevelt Road
	◆ Municipal Consultants	Westchester, Illinois 60154-2780
◆ Established 1911	Phone: 708/865-8300	
	Fax: 708/865-1212	

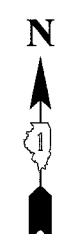
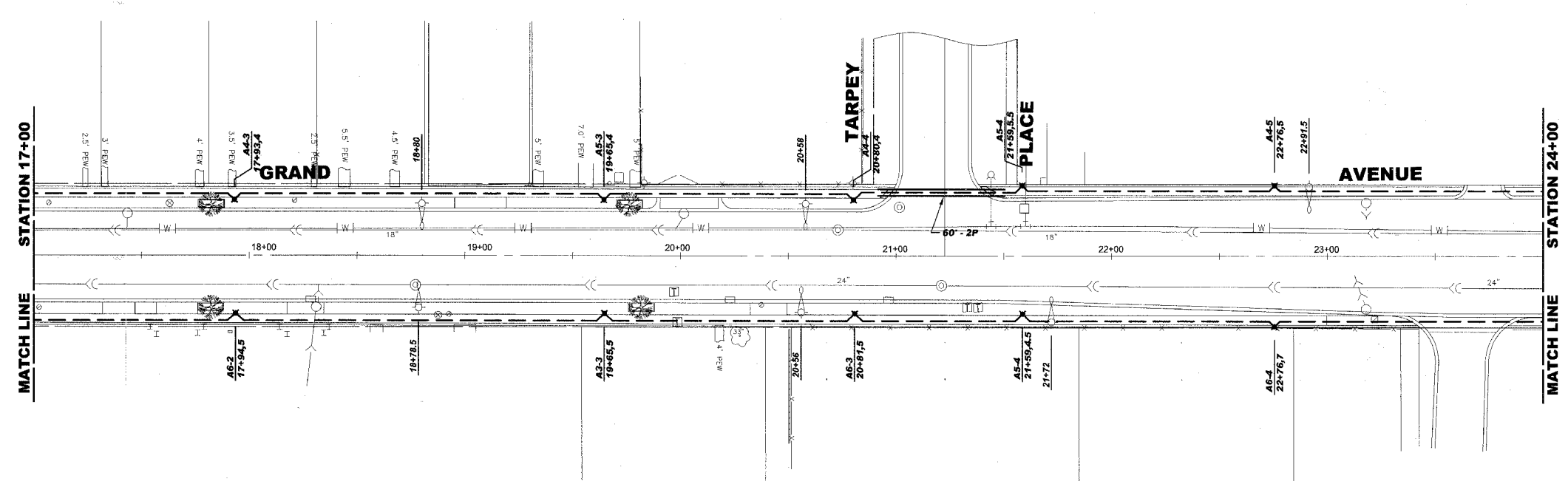
**GRAND AVENUE STREETScape PROJECT  
VILLAGE OF RIVER GROVE, ILLINOIS**

**SUMMARY OF QUANTITIES**

SCALE:	NONE	SHEET <b>4</b> OF <b>35</b>
DRAWN BY:	LEV/ECW/MK	
BOOK NO.:	1441,1443,1516	
DATE:	10/15/07	
REVISION:	Addendum #1 - 12/14/07	
E.H.E. NO.:	760-06-03320	



LEGEND OF SYMBOLS	
	PROPOSED DECORATIVE LIGHT POLE, ALUMINUM, 12' MOUNTING HEIGHT WITH DECORATIVE ACORN STYLE LUMINAIRE, SODIUM VAPOR, TENON MOUNT, 70 WATT
	EXISTING 35' MOUNTING HEIGHT POLE WITH 8' MAST ARM AND 310 WATT HIGH PRESSURE SODIUM LAMP (GE451002.IES)
	EXISTING 35' MOUNTING HEIGHT COMBINATION TRAFFIC/LIGHT POLE WITH 12' MAST ARM AND 400 WATT HIGH PRESSURE SODIUM LAMP (GE451002.IES)
	PROPOSED CONTROL CENTER
	PROPOSED UNIT DUCT WITH 3-1/2" No. 4 & 1-1/2" No. 6 GROUND, 600V (XLP-TYPE USE), 1 1/2" DIAMETER OR AS NOTED, BORED & PULLED OR AS NOTED
	PROPOSED RIGID GALVANIZED STEEL CONDUIT IN TRENCH OR PUSHED AS NOTED
	CONTROLLER IDENTIFICATION (TYP.)
	CIRCUIT NUMBER (TYP.)
	POLE NUMBER (TYP.)
	SET BACK FROM BACK OF CURB (TYP.)
	STATION NUMBER (TYP.)



revised 12/21/07

Drawing file: W:\Projects\76006033 - Grand Ave Streetscape\GRAND\_AVE-Lighting.dwg Dec 13, 2007 11:45am

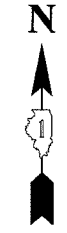
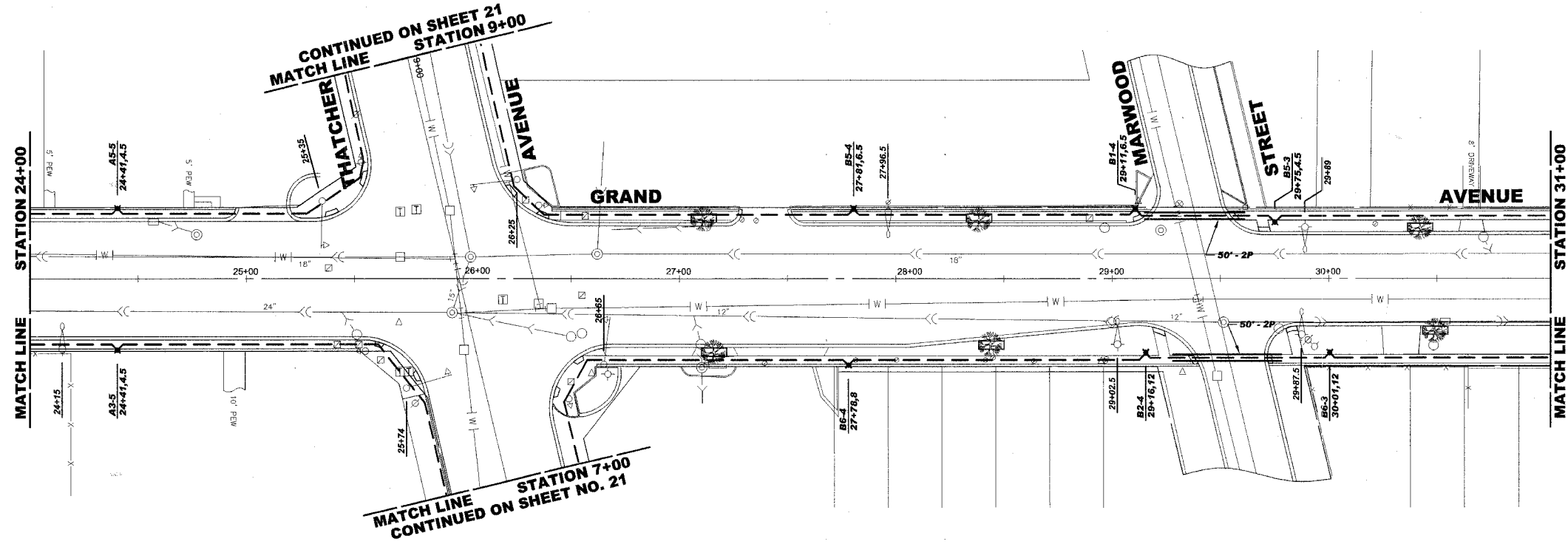


♦ Civil Engineers  
 ♦ Municipal Consultants  
 ♦ Established 1911  
 9933 Roosevelt Road  
 Westchester, Illinois 60154-2780  
 Phone: 708/865-0300  
 Fax: 708/865-1212

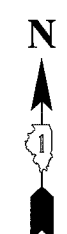
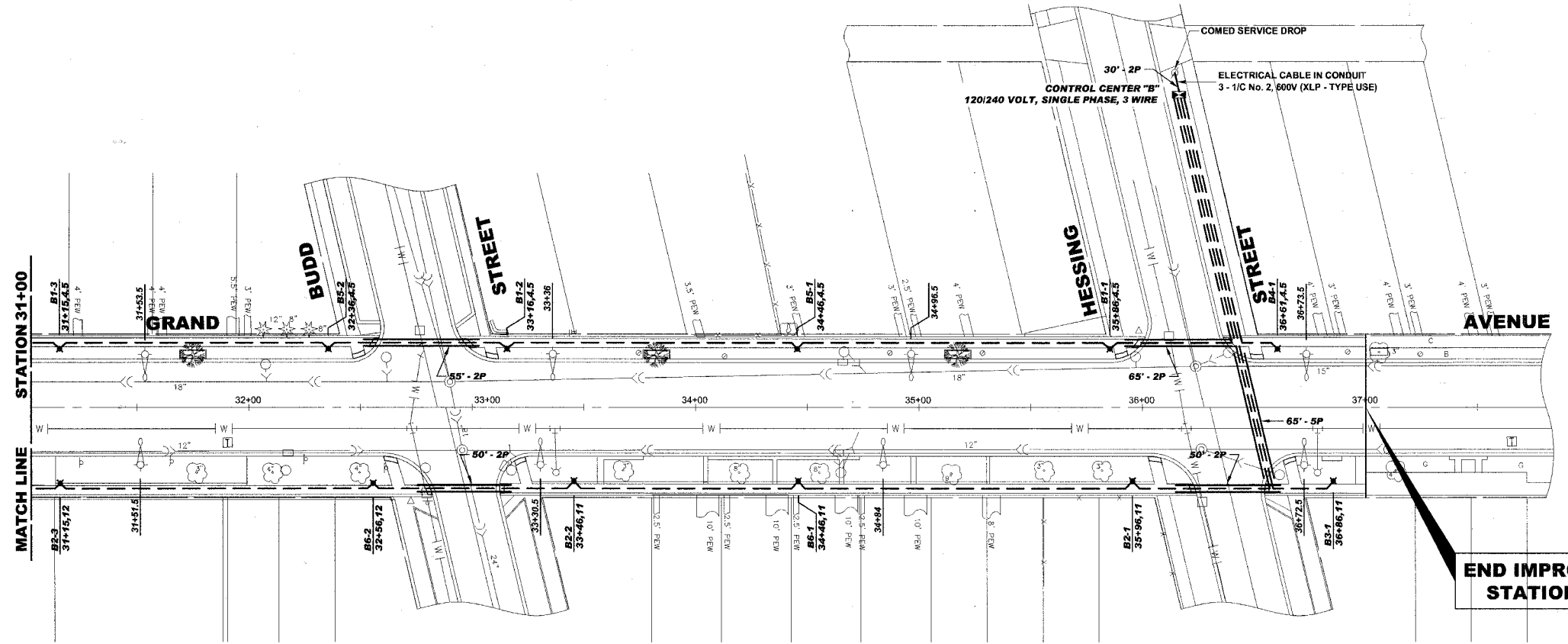
**GRAND AVENUE STREETScape PROJECT**  
**VILLAGE OF RIVER GROVE, ILLINOIS**

**GRAND AVENUE LIGHTING PLAN**

SCALE:	1"=30'	SHEET <b>19</b> OF <b>35</b>	
DRAWN BY:	LEV/ECW/MK		
BOOK NO.:	1441,1443,1516		
DATE:	10/15/07		
REVISION:	Addendum #1 - 12/14/07	E.H.E. NO.:	760-06-03320



LEGEND OF SYMBOLS	
	PROPOSED DECORATIVE LIGHT POLE, ALUMINUM, 12' MOUNTING HEIGHT WITH DECORATIVE ACORN STYLE LUMINAIRE, SODIUM VAPOR, TENON MOUNT, 70 WATT
	EXISTING 35' MOUNTING HEIGHT POLE WITH 8' MAST ARM AND 310 WATT HIGH PRESSURE SODIUM LAMP (GE451002.IES)
	EXISTING 35' MOUNTING HEIGHT COMBINATION TRAFFIC/LIGHT POLE WITH 12' MAST ARM AND 400 WATT HIGH PRESSURE SODIUM LAMP (GE451002.IES)
	PROPOSED CONTROL CENTER
	PROPOSED UNIT DUCT WITH 3-1/8\" No. 4 & 1-1/8\" No. 6 GROUND, 600V (XLP-TYPE USE), 1 1/2\" DIAMETER OR AS NOTED, BORED & PULLED OR AS NOTED
	PROPOSED RIGID GALVANIZED STEEL CONDUIT IN TRENCH OR PUSHED AS NOTED
	CONTROLLER IDENTIFICATION (TYP.)
	CIRCUIT NUMBER (TYP.)
	POLE NUMBER (TYP.)
	SET BACK FROM BACK OF CURB (TYP.)
	STATION NUMBER (TYP.)



**END IMPROVEMENT  
STATION 37+00**

revised -12/21/07

Drawing file: W:\Projects\75006033 - Grand Ave Streetscape\GRAND\_AVE-Lighting.dwg Dec 13, 2007 - 11:14am

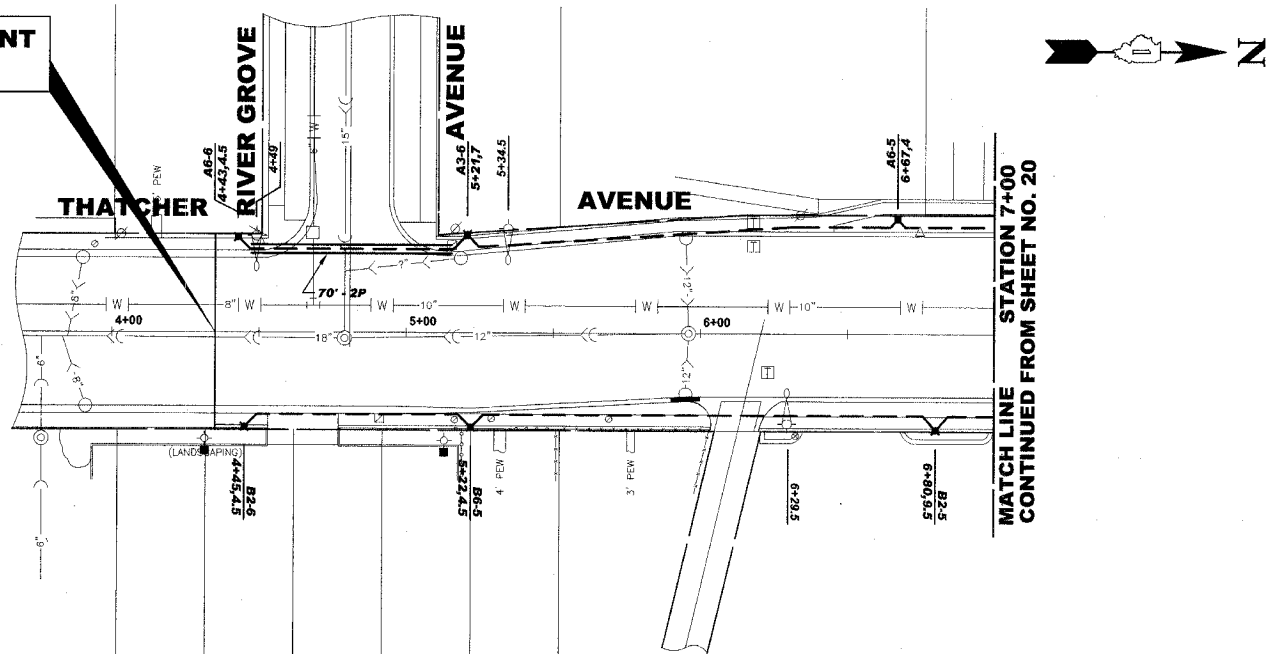
	◆ Civil Engineers	9933 Roosevelt Road
	◆ Municipal Consultants	Westchester, Illinois 60154-2780
	◆ Established 1911	Phone: 708/865-0300
		Fax: 708/865-1212

**GRAND AVENUE STREETScape PROJECT  
VILLAGE OF RIVER GROVE, ILLINOIS**

**GRAND AVENUE LIGHTING PLAN**

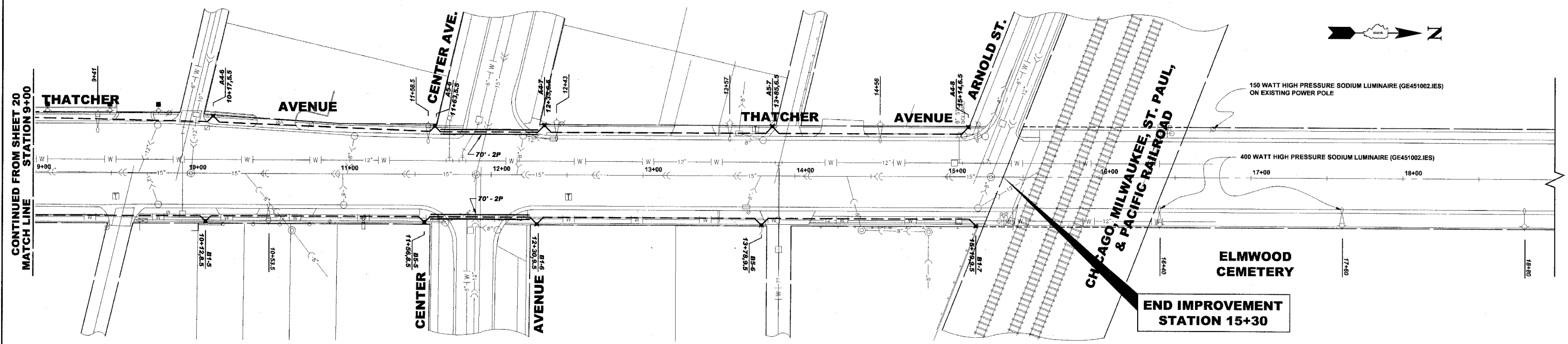
SCALE: 1"=30'	SHEET <b>20</b> OF <b>35</b>
DRAWN BY: LEV/ECW/MK	
BOOK NO.: 1441,1443,1516	
DATE: 10/15/07	
REVISION: Addendum #1 - 12/14/07	E.H.E. NO.: 760-06-03320

**BEGIN IMPROVEMENT  
STATION 4+35**



**MATCH LINE  
STATION 7+00  
CONTINUED FROM SHEET NO. 20**

LEGEND OF SYMBOLS	
	PROPOSED DECORATIVE LIGHT POLE, ALUMINUM, 12' MOUNTING HEIGHT WITH DECORATIVE ACORN STYLE LUMINAIRE, SODIUM VAPOR, TENON MOUNT, 70 WATT
	EXISTING 35' MOUNTING HEIGHT POLE WITH 8' MAST ARM AND 400 WATT HIGH PRESSURE SODIUM LAMP (GE451002.IES)
	EXISTING 35' MOUNTING HEIGHT POLE WITH 8' MAST ARM AND 400 WATT MERCURY VAPOR LAMP
	PROPOSED CONTROL CENTER
	PROPOSED UNIT DUCT WITH 3-1/4" No. 4 & 1-1/4" No. 6 GROUND, 600V (XLP-TYPE USE), 1 1/2" DIAMETER OR AS NOTED, BORED & PULLED OR AS NOTED
	PROPOSED RIGID GALVANIZED STEEL CONDUIT IN TRENCH OR PUSHED AS NOTED
	CONTROLLER IDENTIFICATION (TYP.)
	CIRCUIT NUMBER (TYP.)
	POLE NUMBER (TYP.)
	SET BACK FROM BACK OF CURB (TYP.)
	STATION NUMBER (TYP.)



**CONTINUED FROM SHEET 20  
MATCH LINE  
STATION 9+00**

**END IMPROVEMENT  
STATION 15+30**

150 WATT HIGH PRESSURE SODIUM LUMINAIRE (GE451002.IES)  
ON EXISTING POWER POLE

400 WATT HIGH PRESSURE SODIUM LUMINAIRE (GE451002.IES)

**ELMWOOD  
CEMETERY**

revised 12/21/07



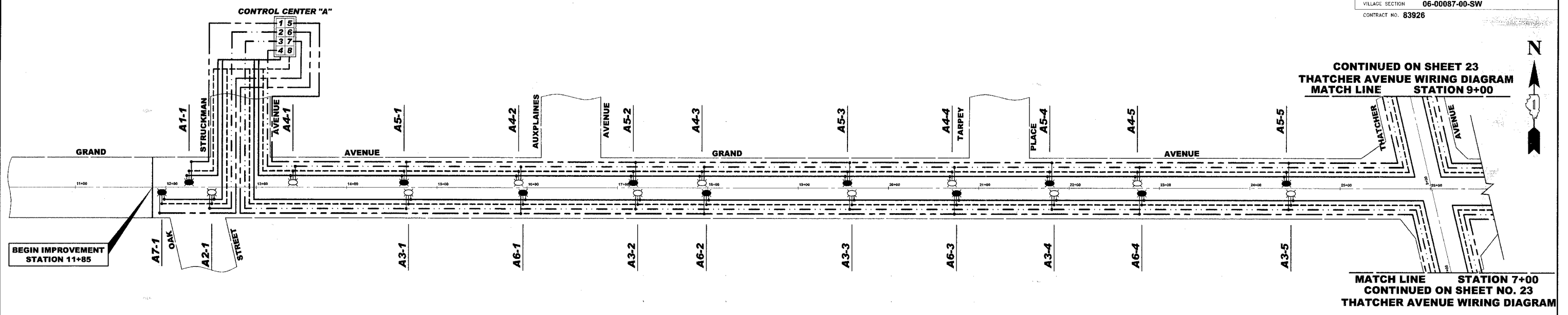
**HANCOCK ENGINEERING**  
 ♦ Civil Engineers  
 ♦ Municipal Consultants  
 ♦ Established 1911  
 9933 Roosevelt Road  
 Westchester, Illinois 60154-2780  
 Phone: 708/865-0300  
 Fax: 708/865-1212

**GRAND AVENUE STREETScape PROJECT  
VILLAGE OF RIVER GROVE, ILLINOIS**

**THATCHER AVENUE  
LIGHTING PLAN**

SCALE:	1"=30'	SHEET <b>21</b> OF <b>35</b>	
DRAWN BY:	LEV/ECW/MK		
BOOK NO.:	1441,1443,1516		
DATE:	10/15/07		
REVISION:	Addendum #1 - 12/14/07	E.H.E. NO.:	760-06-03320

Drawing file: W:\Projects\TE00D033 - Grand Ave Streetscape\GRAND-THATCHER-THATCHER.dwg Dec 13, 2007 - 11:45am



**CONTROL CENTER "A"  
CIRCUIT LOADS**

CIRCUIT	PHASE - BLACK		CIRCUIT	PHASE - RED	
	AMPS	WATTS		AMPS	WATTS
1	2.3	250	2	2.3	250
5	16.1	1,750	3	13.8	1,500
6	13.8	1,500	4	18.4	2,000
7	2.3	250	8	FUTURE	FUTURE
<b>TOTAL</b>	<b>34.5</b>		<b>TOTAL</b>	<b>34.5</b>	

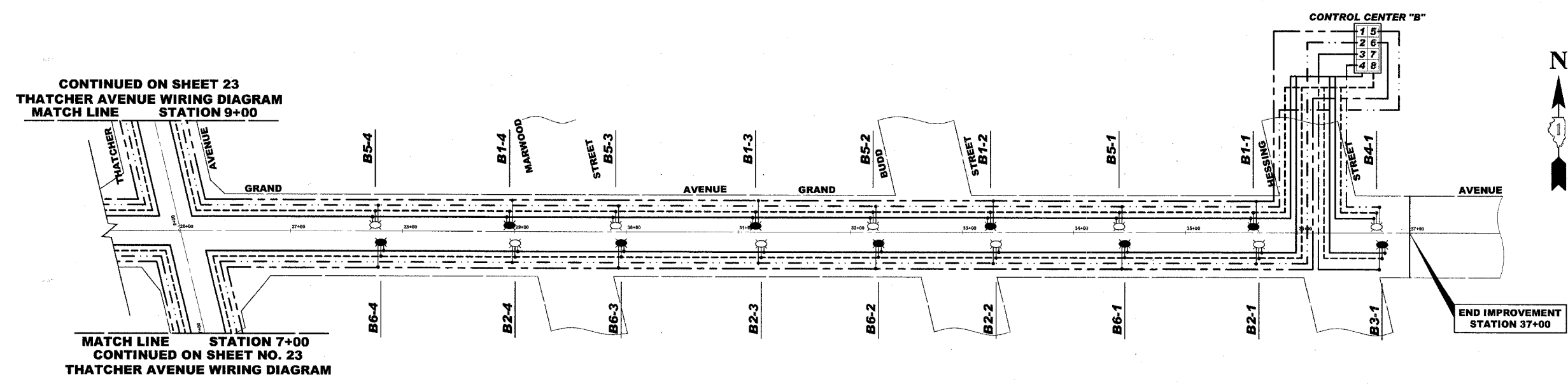
**CONTROL CENTER "B"  
CIRCUIT LOADS**

CIRCUIT	PHASE - BLACK		CIRCUIT	PHASE - RED	
	AMPS	WATTS		AMPS	WATTS
1	16.1	1,750	2	13.8	1,500
3	2.3	250	4	2.3	250
6	11.5	1,250	5	13.8	1,500
8	FUTURE	FUTURE	7	FUTURE	FUTURE
<b>TOTAL</b>	<b>29.9</b>		<b>TOTAL</b>	<b>29.9</b>	

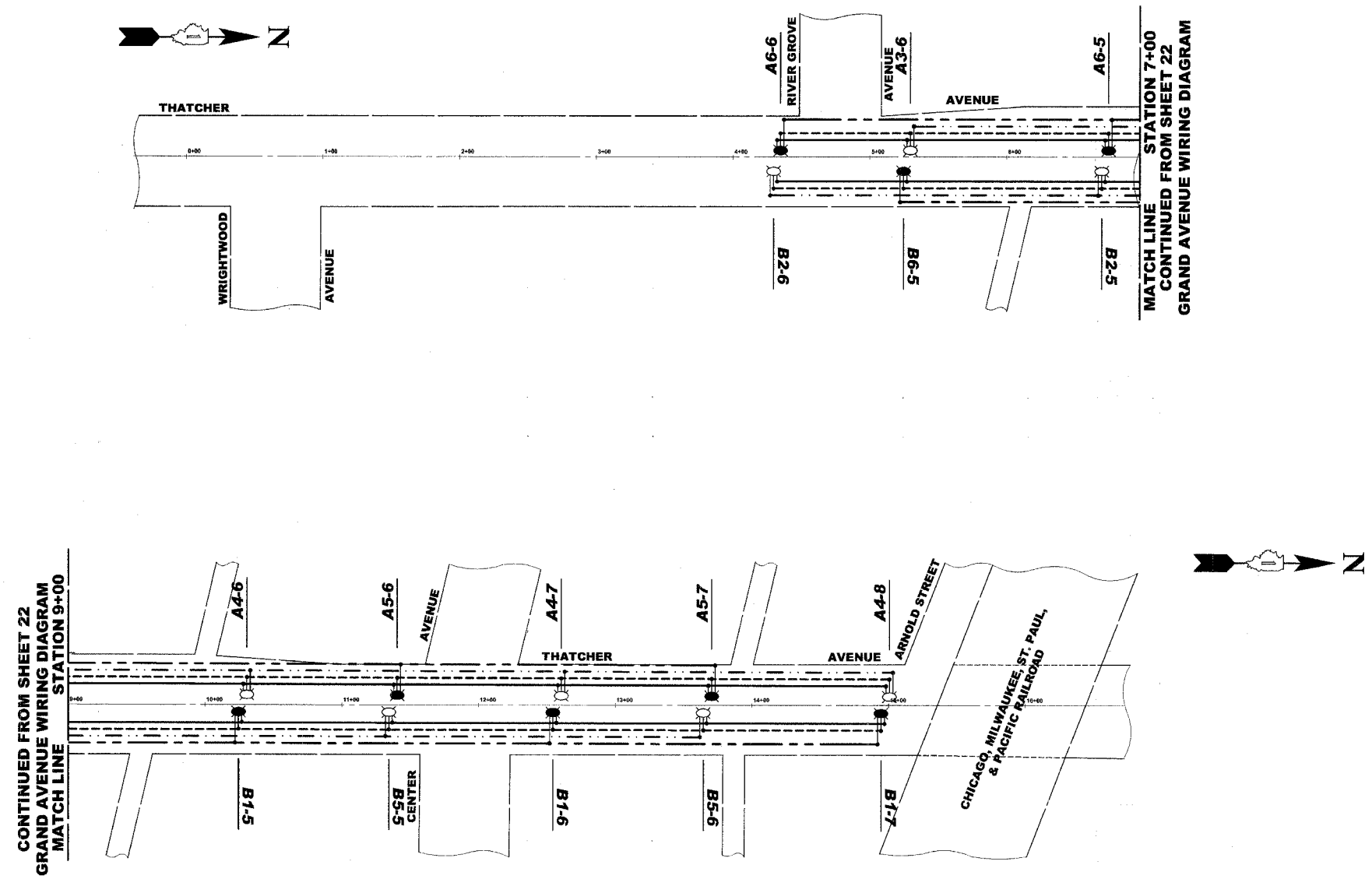
**NOTE:**  
PROPOSED LOAD FOR POLE = 70W LUMINAIRE + 120V FESTOON @ 180VA

**LEGEND OF SYMBOLS**

	120 VOLT PHASE CABLE (BLACK)
	120 VOLT PHASE CABLE (RED)
	120 VOLT NEUTRAL CABLE (WHITE)
	GROUND WIRE (GREEN)
	SPLICE
	PROPOSED 70 WATT HPS PEDESTRIAN LUMINAIRE (120 VOLT) ON BLACK WIRE
	PROPOSED 70 WATT HPS PEDESTRIAN LUMINAIRE (120 VOLT) ON RED WIRE
<b>A1-1</b>	PROPOSED CIRCUIT/POLE NUMBER



Drawing file: W:\Projects\76000033 - Grand Ave Streetscape\GRAND AVE-Lighting.dwg Dec 13, 2007 - 11:44am



LEGEND OF SYMBOLS	
	120 VOLT PHASE CABLE (BLACK)
	120 VOLT PHASE CABLE (RED)
	120 VOLT NEUTRAL CABLE (WHITE)
	GROUND WIRE (GREEN)
	SPLICE
	PROPOSED 70 WATT HPS PEDESTRIAN LUMINAIRE (120 VOLT) ON BLACK WIRE
	PROPOSED 70 WATT HPS PEDESTRIAN LUMINAIRE (120 VOLT) ON RED WIRE
<b>A1-1</b>	PROPOSED CIRCUIT/POLE NUMBER

Drawing file: W:\Projects\75008033 - Grand Ave Streetscape\GRAND\_AVE\_Lighting.dwg Dec 13, 2007 - 11:44am

*revised 2/2/10*



◆ Civil Engineers  
◆ Municipal Consultants  
◆ Established 1911

9933 Roosevelt Road  
Westchester, Illinois 60154-2780  
Phone: 708/865-0300  
Fax: 708/865-1212

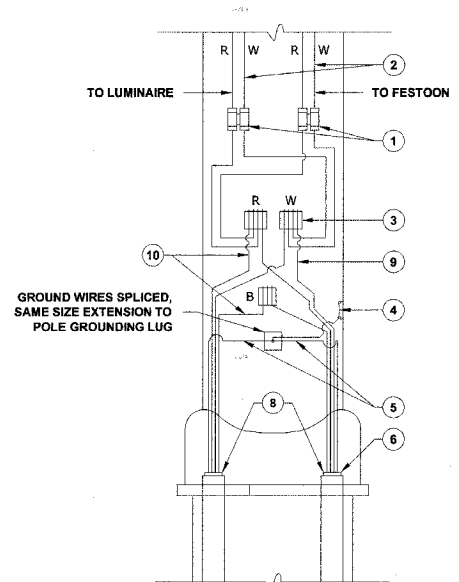
**GRAND AVENUE STREETScape PROJECT  
VILLAGE OF RIVER GROVE, ILLINOIS**

**THATCHER AVENUE WIRING DIAGRAM  
CONTROL CENTER "A" & "B"**

REVISION: Addendum #1 - 12/14/07

SCALE: 1"=50'  
DRAWN BY: LEV/ECW/MK  
BOOK NO.: 1441,1443,1516  
DATE: 10/15/07  
E.H.E. NO.: 760-06-03320

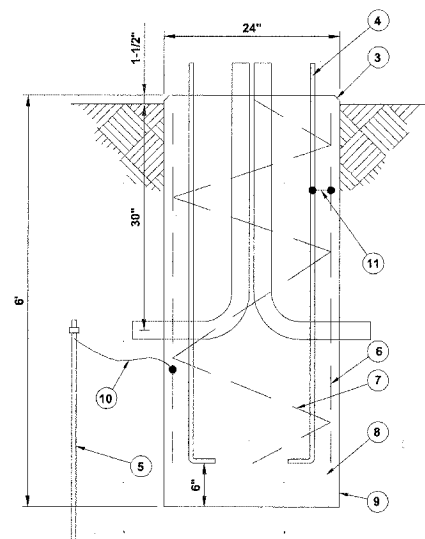
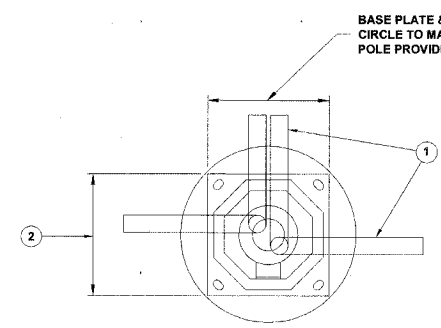
SHEET  
**23**  
OF  
**35**



- 1 STANDARD-TYPE SMALL DIMENSION DOUBLE POLE FUSEHOLDER WITH INSULATED BOOTS, FUSING AND SOLID NEUTRAL. (SEE SPECS)
- 2 2-1/2 #10 AWG, 600V TYPE RHW, SOLID COLOR CODED CABLES
- 3 SPLICE AS SPECIFIED
- 4 3/8" - 16 TAPPED HOLE BE PROVIDED FOR GROUND LUG
- 5 INSULATED GROUND WIRE, 600V TYPE RHW, SOLID COLOR GREEN, SIZE AS SPECIFIED
- 6 UNIT DUCT
- 7 3" P.V.C. CONDUIT RACEWAYS
- 8 ENDS OF THE UNIT DUCT SHALL BE SEALED AGAINST THE ENTRANCE OF WATER
- 9 NEUTRAL CONDUCTOR, 600V TYPE RHW, SOLID COLOR WHITE, SIZE AS SPECIFIED
- 10 PHASE CONDUCTORS, 600V TYPE RHW, SOLID COLOR, SIZE AS SPECIFIED

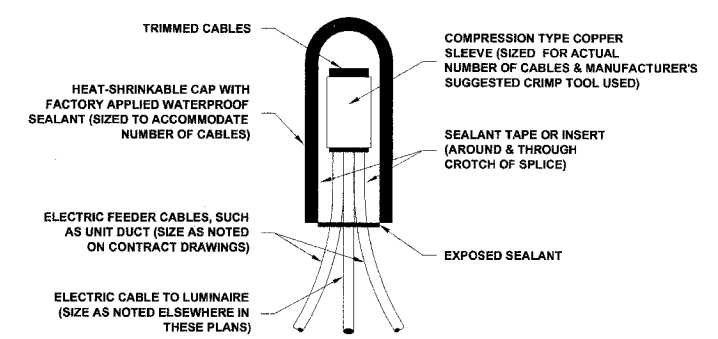
NOTE:  
ALLOW 30" LOOP OF CABLES TO INSURE SUFFICIENT SLACK FOR WITHDRAWAL OF THE CONNECTORS OUTSIDE OF THE POLE HANDHOLE.

**POLE HANDHOLE WIRING DIAGRAM**



- 1 DUAL 3" DIA. P.V.C. ELBOW RACEWAYS, EITHER PARALLEL OR OPPOSITE EACH OTHER AS SHOWN ON PLAN SHEETS.
- 2 MANUFACTURER TO FURNISH TEMPLATE DRAWING FOR SETTING OF ANCHOR BOLTS.
- 3 1" CHAMFER
- 4 4 - 1" x 36" STEEL ANCHOR BOLTS, TOP 10" THREADED AND GALVANIZED.
- 5 5/8" x 10" GROUND ROD CONNECTED TO GROUND WIRE WITH EXOTHERMIC WELD AT ALL POLE LOCATIONS.
- 6 8 - #5 REINFORCING BARS EQUALLY SPACED AROUND AN 18" DIA. CIRCLE
- 7 #4 SPIRAL TIE BARS WITH 6" PITCH
- 8 CLASS SI CONCRETE
- 9 FOUNDATION LOCATIONS AS SHOWN ON PLAN SHEETS.
- 10 No. 2/0 BARE COPPER GROUND WIRE TO GROUND ROD AND REINFORCING BARS WITH EXOTHERMIC WELD.
- 11 No. 2/0 BARE COPPER GROUND WIRE TO GROUND ROD WITH EXOTHERMIC WELD.

**CONCRETE LIGHT POLE FOUNDATION**



NOTE:  
NUMBER OF CABLES IN SPLICE MAY VARY

**SPLICING ELECTRIC CABLES  
BASIC MATERIALS AND METHODS**

Drawing file: W:\Projects\176266033 - Grand Ave Streetscape\Lighting Details.dwg Dec 13, 2007 - 11:44am

	◆ Civil Engineers	9933 Roosevelt Road
	◆ Municipal Consultants	Westchester, Illinois 60154-2780
	◆ Established 1911	Phone: 708/865-0300
		Fax: 708/865-1212

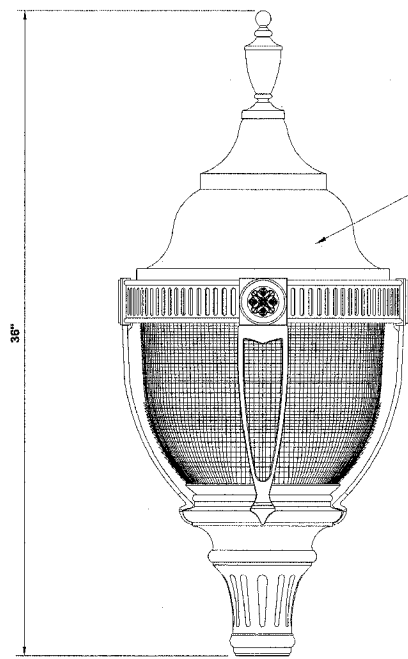
**GRAND AVENUE STREETScape PROJECT**  
**VILLAGE OF RIVER GROVE, ILLINOIS**

**LIGHTING DETAILS**

SCALE: NONE	SHEET
DRAWN BY: LEV/ECW/MK	<b>24</b>
BOOK NO.: 1441,1443,1516	<b>35</b>
DATE: 10/15/07	
REVISION: Addendum #1 - 12/14/07	OF
E.H.E. NO.: 760-06-03320	

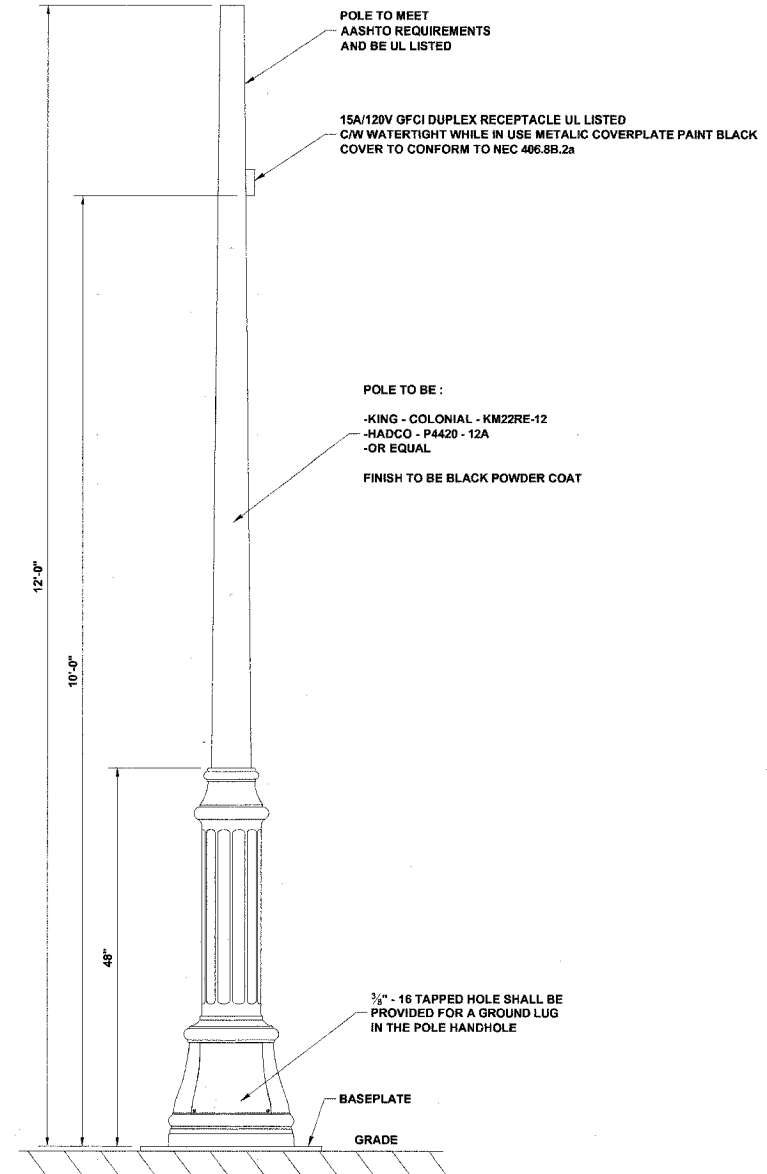
revised 10/21/07

ROUTE NO.	SECTION	COUNTY	TOTAL SHEETS	SHEET NO.
FAU 1376	**	COOK	35	25
ILLINOIS PROJECT		TE-00D1(754)		
VILLAGE SECTION		06-00087-00-SW		
CONTRACT NO. 83926				



LUMINAIRE TO BE:  
 -KING - K 118 EAR V 70 MOG 120 K16 BK  
 WITH SOLID BLACK COVER  
 -HADCO - R54 C A N E 2 N NG 70S-G  
 WITH SOLID BLACK COVER  
 -OR EQUAL  
 FINISH TO BE BLACK POWDER COAT

**DECORATIVE ACORN STYLE LUMINAIRE,  
 SODIUM VAPOR, TENON MOUNT, 70 WATT**



POLE TO MEET  
 AASHTO REQUIREMENTS  
 AND BE UL LISTED  
 15A/120V GFCI DUPLEX RECEPTACLE UL LISTED  
 C/W WATERTIGHT WHILE IN USE METALIC COVERPLATE PAINT BLACK  
 COVER TO CONFORM TO NEC 406.8B.2a

POLE TO BE:  
 -KING - COLONIAL - KM22RE-12  
 -HADCO - P4420 - 12A  
 -OR EQUAL  
 FINISH TO BE BLACK POWDER COAT

3/8" - 16 TAPPED HOLE SHALL BE  
 PROVIDED FOR A GROUND LUG  
 IN THE POLE HANDHOLE

BASEPLATE  
 GRADE

**DECORATIVE LIGHT POLE, ALUMINUM,  
 12' MOUNTING HEIGHT**

revised 12/21/07

Drawing file: W:\Projects\76006033 - Grand Ave Streetscape\Lighting Details.dwg Dec 13, 2007 - 11:44am



◆ Civil Engineers  
 ◆ Municipal Consultants  
 ◆ Established 1911

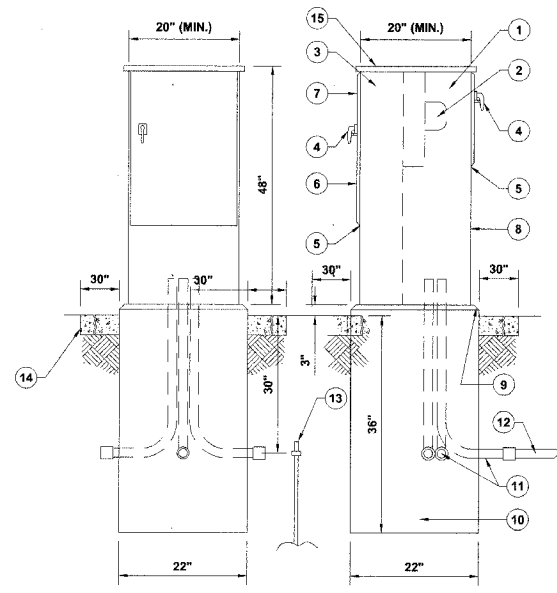
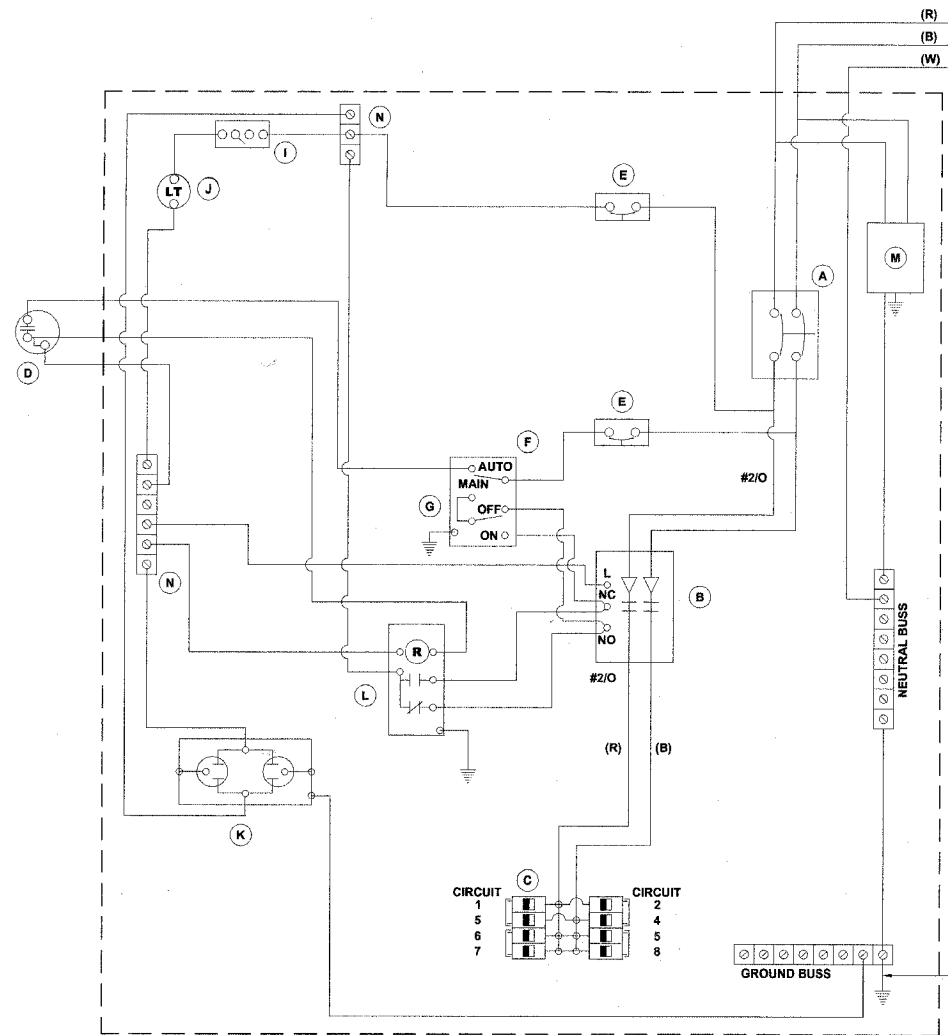
9933 Roosevelt Road  
 Westchester, Illinois 60154-2780  
 Phone: 708/865-0300  
 Fax: 708/865-1212

**GRAND AVENUE STREETSCAPE PROJECT  
 VILLAGE OF RIVER GROVE, ILLINOIS**

**LIGHTING DETAILS**

SCALE:	NONE	SHEET	25 / 35
DRAWN BY:	LEV/ECW/MK	OF	
BOOK NO.:	1441,1443,1516		
DATE:	10/15/07		
REVISION:	Addendum #1 - 12/14/07	E.H.E. NO.:	760-06-03320





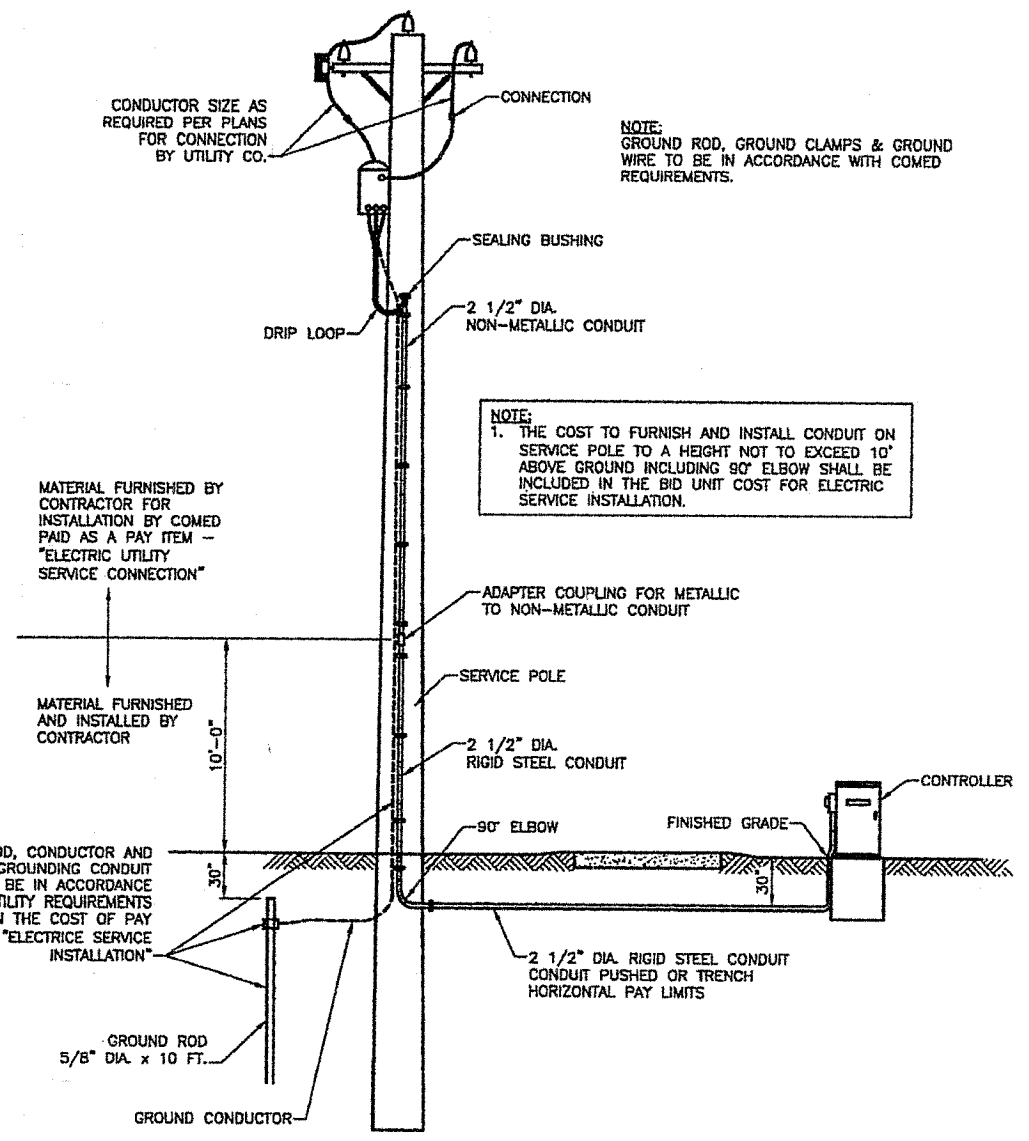
**CONTROL CENTER CABINET & FOUNDATION**

- 1 METERING SIDE OF CABINET
- 2 RINGLESS TYPE METER SOCKET, SUPPLIED BY OTHERS
- 3 CONTROL CENTER SIDE OF CABINET
- 4 "V"-HANDLE LATCH & SHOOT BOLTS
- 5 RUBBER GASKET BETWEEN DOOR & BOX FLANGE
- 6 STAINLESS STEEL PIANO HINGE
- 7 FORMED DOOR
- 8 CONTROL CENTER BOX TO BE CONSTRUCTED OF 1/8" THICK SHEET ALUMINUM
- 9 1" CHAMFER
- 10 POURED IN PLACE CLASS SI CONCRETE FOUNDATION
- 11 GALVANIZED STEEL CONDUITS 3" DIA., TWO MORE THAN NECESSARY
- 12 GALVANIZED STEEL CONDUITS 2" DIA., TO SERVICE POLE
- 13 GROUND ROD CONNECTED TO GROUND WIRE WITH EXOTHERMIC WELD
- 14 P.C.C. SIDEWALK, 5 INCH
- 15 VENTING TO BE ALONG ROOF LINE

DEVICE SCHEDULE	
QUANTITY	DESCRIPTION
A 1	100 AMP CIRCUIT BREAKER, MOLDED CASE, THERMAL MAGNETIC, 2-POLE, SINGLE THROW, 600V FRAME, NON-INTERCHANGABLE TRIP, BOLT ON TYPE.
B 1	100 AMP, ELECTRICALLY OPERATED AND MECHANICALLY HELD LIGHTING CONTRACTOR, 2-POLE, 600 VOLT WITH 120 V COIL
C 6	120/240 VOLT 1 PHASE PANEL BOARD WITH 100 AMP COPPER MAINS SINGLE POLE, 30 AMP, 120 VOLT BOLT ON BRANCH CIRCUIT BREAKERS
D 1	PHOTO-ELECTRIC CELL, 120 VOLT, MOUNT ON CLOSEST POLE TO CABINET
E 2	THERMAL MAGNETIC, MOLDED CASE CIRCUIT BREAKER, 1 POLE, 15 AMP, 120 VOLT BOLT ON TYPE
F 1	CONTROL SWITCH, MOMENTARY CONTACT, SPDT, 15 AMP, 120 VOLT
G 1	CONTROL SWITCH, TOGGLE TYPE, SPDT, 20 AMP, 120 VOLT SPECIAL GRADE
I 1	MICRO SWITCH (MOUNTED WITH ACTUATOR TO SWITCH WHEN DOOR IS OPEN) 120 VOLT, 20 AMP
J 1	60 WATT LIGHT FIXTURE VAPOR TIGHT WITH GLOBE, GUARD, AND MOUNTING BOX
K 1	120 VOLT, 15 AMP RECEPTACLE, SPECIFICATION GRADE IN NEMA 5-15R WEATHER PROOF BOX WITH FLAP-TYPE COVER. OUTLET TO BE GF-TYPE.
L 1	POWER RELAY WITH 25 AMP CONTACTS RATED FOR CONTRACTOR INRUSH CURRENT - 120 VOLT COIL
M 1	SURGE ARRESTOR, 5 WIRE EDCO 4803 OR EQUAL
N 2	TERMINAL BLOCK, 120 VOLT, 50 AMP MAXIMUM WITH NUMBER OF TERMINALS AS INDICATED

**120/240 VOLT CONTROLLER PANEL WIRING DIAGRAM**

- NOTES:
1. ALL CIRCUIT BREAKERS SHALL HAVE AN INTERRUPT RATING OF 18,000 AMPS
  2. UL LISTED DEVICES/COMPONENTS SHALL BE USED
  3. NO SPLICES OF WIRES IN CABINET
  4. CONTROL WIRE TO BE #12 MTW
  5. POWER WIRE SHALL BE RATED RHH/RHW 600 VOLTS OF SIZE INDICATED
  6. LIGHTING CONTROLLER SHALL BE SERVICE ENTRANCE RATED



**PROPOSED SERVICE INSTALLATION POLE TOP MOUNTED TRANSFORMER**

revised 12/21/07

Drawing file: W:\Projects\76009033 - Grand Ave Streetscape\Lighting Details.dwg Dec 14, 2007 - 8:57am

**HANCOCK ENGINEERING**

◆ Civil Engineers  
◆ Municipal Consultants  
◆ Established 1911

9933 Roosevelt Road  
Westchester, Illinois 60154-2780  
Phone: 708/865-0300  
Fax: 708/865-1212

**GRAND AVENUE STREETScape PROJECT  
VILLAGE OF RIVER GROVE, ILLINOIS**

**LIGHTING DETAILS**

SCALE:	NONE	SHEET	26
DRAWN BY:	LEV/ECW/MK	OF	35
BOOK NO.:	1441,1443,1516		
DATE:	10/15/07		
REVISION:	Addendum #1 - 12/14/07	E.H.E. NO.:	760-06-03320