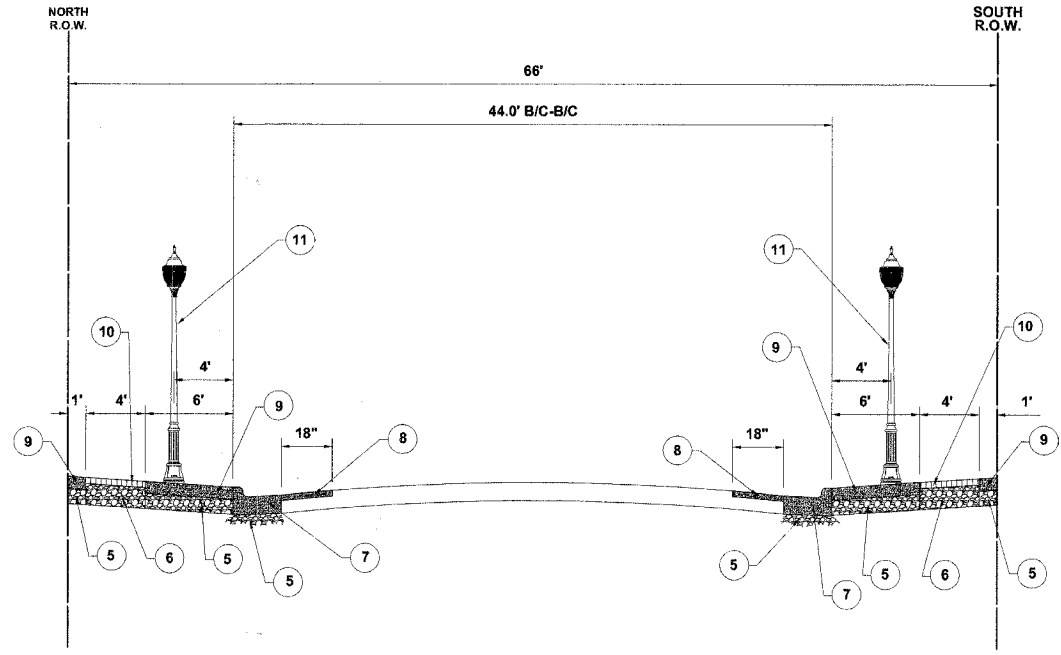


EXISTING TYPICAL CROSS SECTION
GRAND AVENUE
STATION 11+85 TO STATION 21+00

TYPICAL CROSS SECTION LEGEND

- ① COMBINATION CURB & GUTTER REMOVAL AS NOTED ON PLANS
- ② ROADWAY LIGHT POLE, 35' MOUNTING HEIGHT WITH 8' OR 12' MAST ARM AT APPROXIMATELY 180' SPACING
- ③ SIDEWALK AREA, PORTLAND CEMENT CONCRETE OR ASPHALT AS NOTED ON PLANS. REMOVAL TO BE PAID FOR AS SIDEWALK REMOVAL OR EARTH EXCAVATION AS NOTED ON PLANS
- ④ HOT-MIX ASPHALT SURFACE REMOVAL, 1-1/4" (WHERE COMBINATION CONCRETE CURB & GUTTER IS REMOVED)
- ⑤ 2" CRUSHED STONE (COST IS INCLUDED IN PCC SIDEWALK, 5", PCC BASE COURSE, 3", PCC BASE COURSE, 7", OR COMBINATION CONCRETE CURB & GUTTER, TYPE B-6.12 (MODIFIED) ITEMS)
- ⑥ AGGREGATE BASE COURSE, TYPE B, 4"
- ⑦ COMBINATION CONCRETE CURB & GUTTER, TYPE B-6.12 (MODIFIED)
- ⑧ HOT-MIX ASPHALT SURFACE COURSE, MIX C, N70, 1-1/2", IL-9.5 MM
- ⑨ PORTLAND CEMENT CONCRETE SIDEWALK, 5"
- ⑩ DECORATIVE BRICK SIDEWALK
- ⑪ DECORATIVE LIGHT POLE, ALUMINUM, 12' MOUNTING HEIGHT WITH DECORATIVE ACORN STYLE LUMINAIRE, SODIUM VAPOR, TENON MOUNT, 70 WATT (3 PER BLOCK)
- ⑫ PORTLAND CEMENT CONCRETE BASE COURSE, 3"

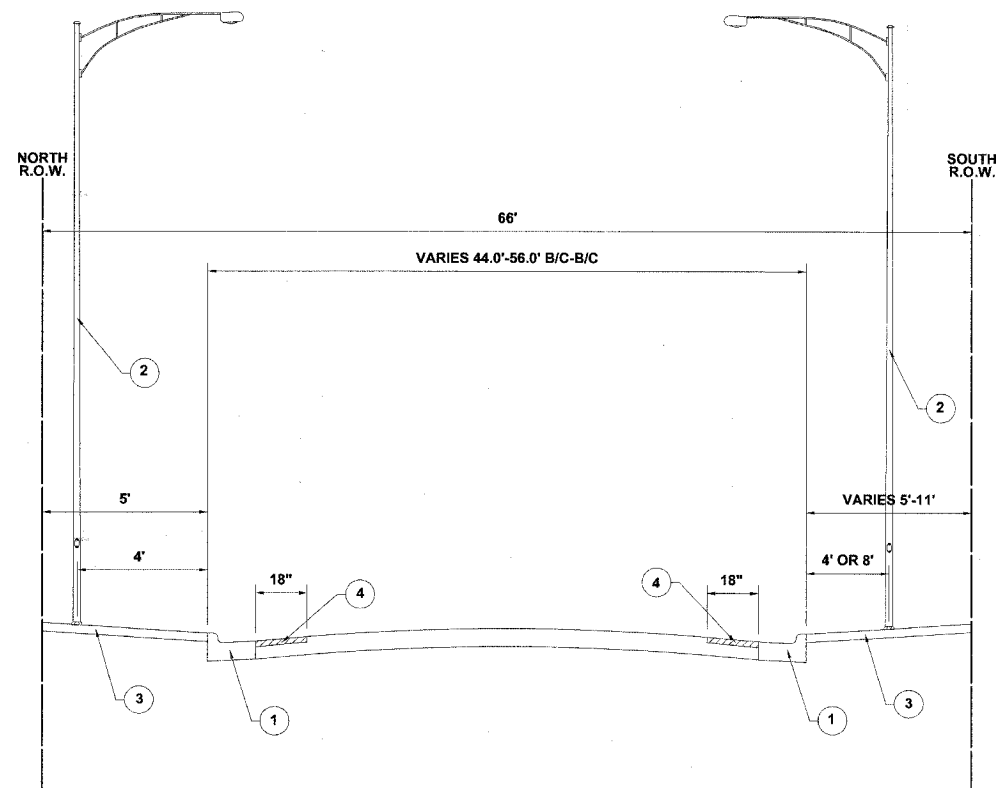


PROPOSED TYPICAL CROSS SECTION
GRAND AVENUE
STATION 11+85 TO STATION 21+00

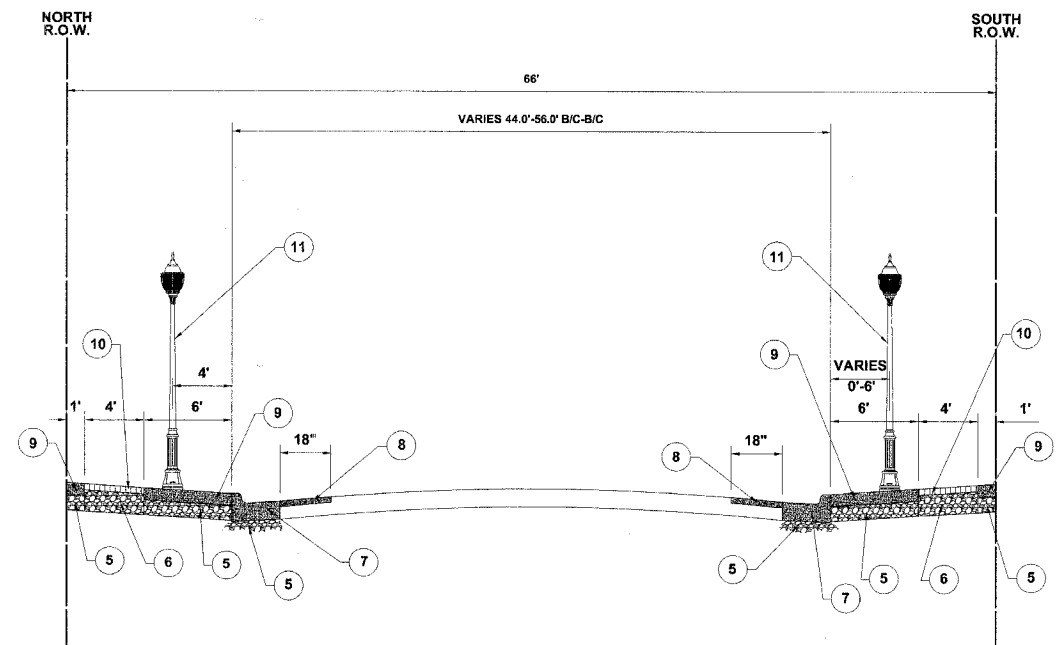
HOT-MIX ASPHALT (HMA) MIXTURE REQUIREMENTS

ITEM	A C TYPE	VOIDS
HMA SURFACE COURSE MIX C, N70, 1-1/2", IL-9.5 MM	PG 64-22	4% @ 70 GYR.

THE UNIT WEIGHT USED TO CALCULATE ALL HMA SURFACE COURSE IS 112 LBS/SQYD/IN.
 WHEN RAP EXCEEDS 20%, THE NEW ASPHALT BINDER IN THE MIX SHALL BE PG 58-22.



EXISTING TYPICAL CROSS SECTION
GRAND AVENUE
STATION 21+00 TO STATION 26+50



PROPOSED TYPICAL CROSS SECTION
GRAND AVENUE
STATION 21+00 TO STATION 26+50