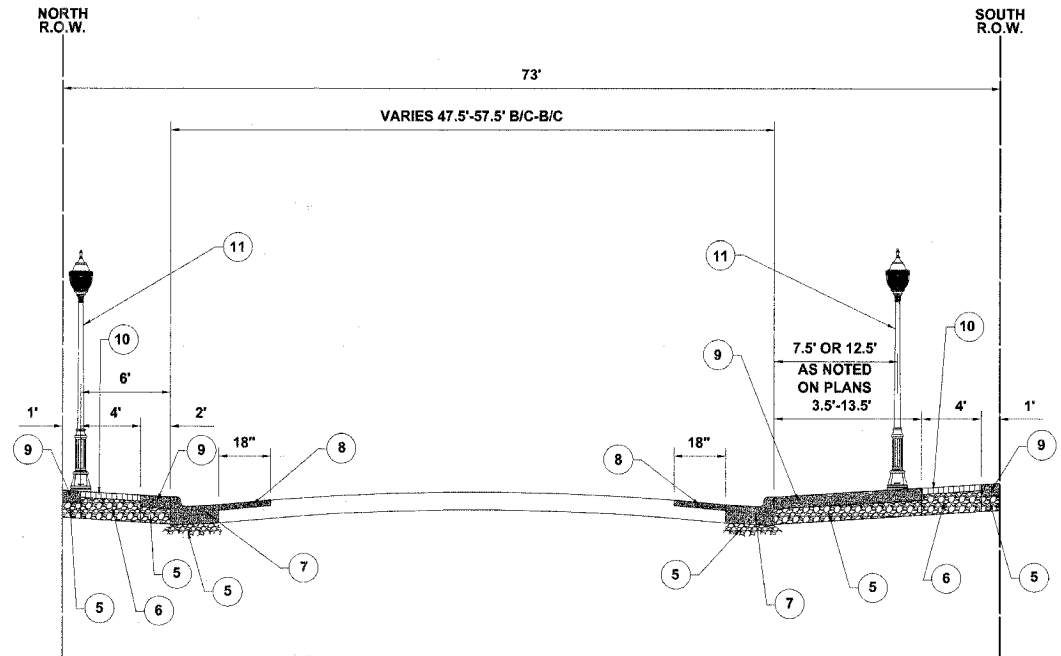


**EXISTING TYPICAL CROSS SECTION**  
**GRAND AVENUE**  
**STATION 26+50 TO STATION 29+00**

- TYPICAL CROSS SECTION LEGEND**
- 1 COMBINATION CURB & GUTTER REMOVAL AS NOTED ON PLANS
  - 2 ROADWAY LIGHT POLE, 35' MOUNTING HEIGHT WITH 8' OR 12' MAST ARM AT APPROXIMATELY 180° SPACING
  - 3 SIDEWALK AREA, PORTLAND CEMENT CONCRETE OR ASPHALT AS NOTED ON PLANS. REMOVAL TO BE PAID FOR AS SIDEWALK REMOVAL OR EARTH EXCAVATION AS NOTED ON PLANS
  - 4 HOT-MIX ASPHALT SURFACE REMOVAL, 1-1/4" (WHERE COMBINATION CONCRETE CURB & GUTTER IS REMOVED)
  - 5 2" CRUSHED STONE (COST IS INCLUDED IN PCC SIDEWALK, 5", PCC BASE COURSE, 3", PCC BASE COURSE, 7", OR COMBINATION CONCRETE CURB & GUTTER, TYPE B-6.12 (MODIFIED) ITEMS)
  - 6 AGGREGATE BASE COURSE, TYPE B, 4"
  - 7 COMBINATION CONCRETE CURB & GUTTER, TYPE B-6.12 (MODIFIED)
  - 8 HOT-MIX ASPHALT SURFACE COURSE, MIX C, N70, 1-1/2", IL-9.5 MM
  - 9 PORTLAND CEMENT CONCRETE SIDEWALK, 5"
  - 10 DECORATIVE BRICK SIDEWALK
  - 11 DECORATIVE LIGHT POLE, ALUMINUM, 12' MOUNTING HEIGHT WITH DECORATIVE ACORN STYLE LUMINAIRE, SODIUM VAPOR, TENON MOUNT, 70 WATT (3 PER BLOCK)
  - 12 PORTLAND CEMENT CONCRETE BASE COURSE, 3"

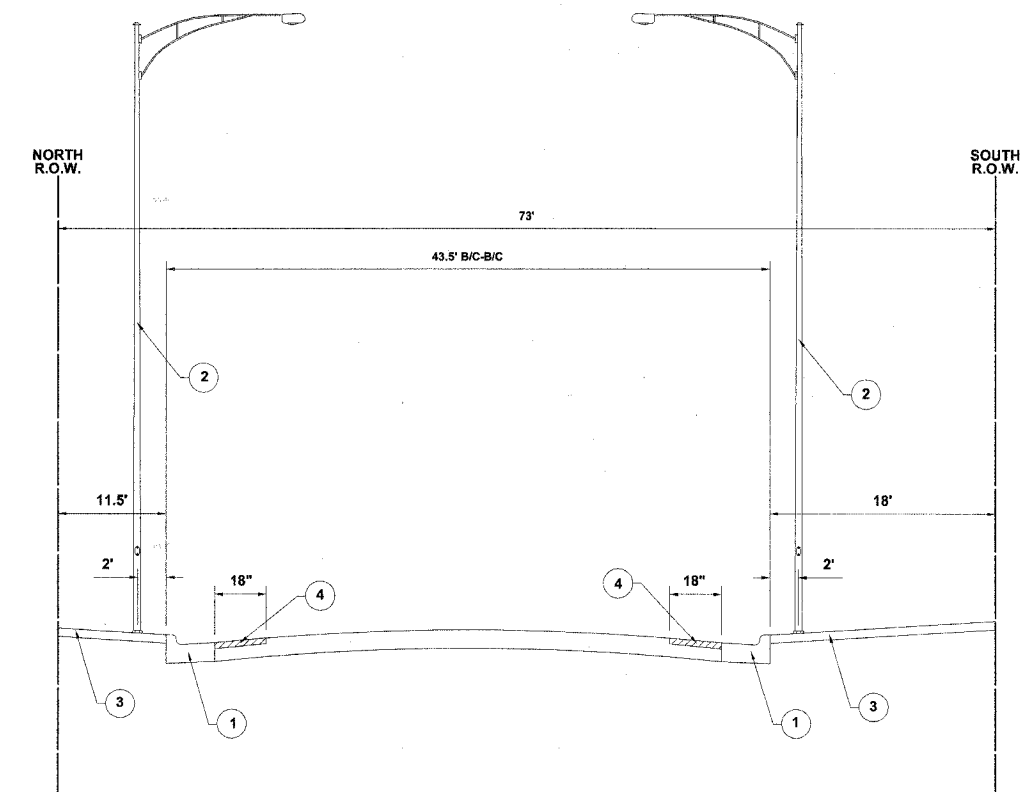


**PROPOSED TYPICAL CROSS SECTION**  
**GRAND AVENUE**  
**STATION 26+50 TO STATION 29+00**

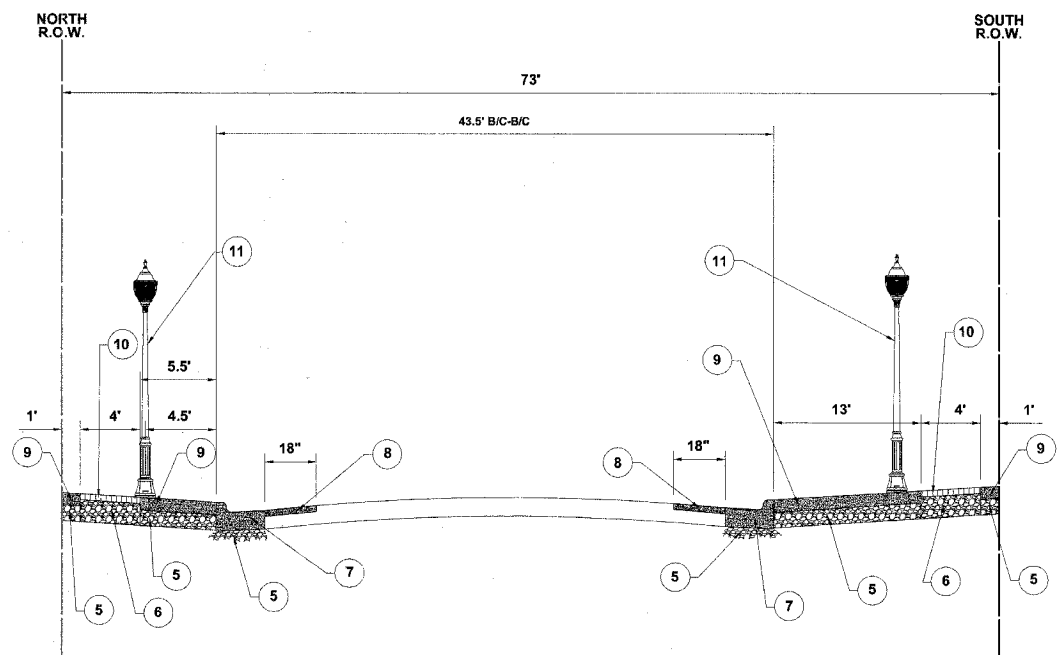
**HOT-MIX ASPHALT (HMA) MIXTURE REQUIREMENTS**

ITEM	A C TYPE	VOIDS
HMA SURFACE COURSE, MIX C, N70, 1-1/2", IL-9.5 MM	PG 64-22	4% @ 70 GYR.

THE UNIT WEIGHT USED TO CALCULATE ALL HMA SURFACE COURSE IS 112 LBS/SQYD/IN. WHEN RAP EXCEEDS 20%, THE NEW ASPHALT BINDER IN THE MIX SHALL BE PG 58-22.



**EXISTING TYPICAL CROSS SECTION**  
**GRAND AVENUE**  
**STATION 29+00 TO STATION 37+00**



**PROPOSED TYPICAL CROSS SECTION**  
**GRAND AVENUE**  
**STATION 29+00 TO STATION 37+00**

Drawing file: W:\Projects\76060323 - Grand Ave Streetscape\Typicals.dwg Oct 16, 2007 - 2:22pm

**HANCOCK ENGINEERING** ♦ Civil Engineers ♦ Municipal Consultants ♦ Established 1911  
 9933 Roosevelt Road Westchester, Illinois 60154-2780 Phone: 708/865-0300 Fax: 708/865-1212

**GRAND AVENUE STREETSCAPE PROJECT**  
**VILLAGE OF RIVER GROVE, ILLINOIS**

**TYPICAL CROSS SECTIONS**

SCALE:	NONE	SHEET	6
DRAWN BY:	LEV/ECW/MK	OF	35
BOOK NO.:	1441,1443,1516		
DATE:	10-15-07		
REVISION:			
E.H.E. NO.:	760-06-03320		