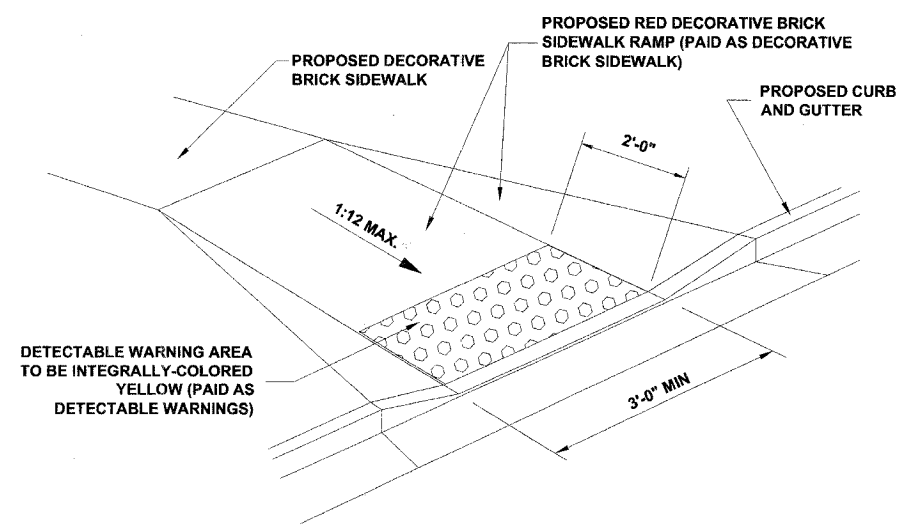
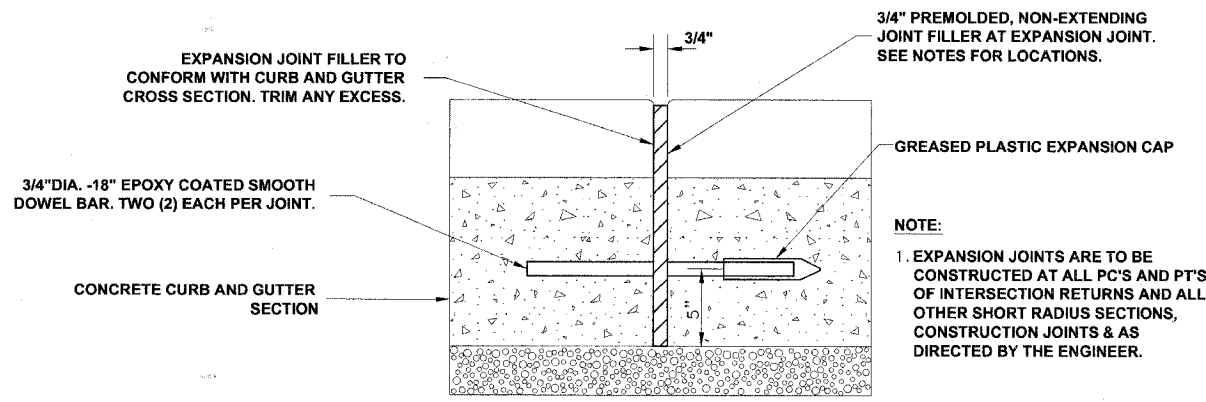


1. PROVIDE 2 3/4"Ø EPOXY COATED SMOOTH BARS WITH PLASTIC EXPANSION CAPS AT EACH EXPANSION JOINT WHICH SHALL BE LOCATED ON EACH SIDE OF EXISTING DRAINAGE STRUCTURES, AT THE PCS AND WHERE DIRECTED BY ENGINEER.
2. CONTRACTION JOINTS SHALL BE PLACED AT EQUAL SPACES (EVERY FIFTEEN FEET) BETWEEN NORMAL EXPANSION JOINTS. CONTRACTION JOINTS SHALL BE SAW CUT IN THE UPPER 1/3 OF CURB AND GUTTERS WITHIN 24 HOURS OF PLACEMENT.
3. 6" CONCRETE WEDGE TO BE POURED IN THE SPACE BETWEEN THE NEW CURB & THE EXISTING PAVEMENT, AFTER THE CURB HAS REACHED ITS INITIAL SET. THE NEW CURB AND GUTTER SHALL BE BACKFILLED FOR THE FULL-DEPTH OF THE CURB WITH CA-7 OR OTHER STONE APPROVED BY ENGINEER.
4. THE NEW CURB AND GUTTER SHALL BE BACKFILLED FOR THE FULL-DEPTH OF THE CURB WITH CA-7 OR OTHER STONE APPROVED BY ENGINEER.
5. THE COST OF THE ABOVE SHALL BE INCLUDED IN THE COMBINATION CONCRETE CURB & GUTTER ITEM.

**COMBINATION CONCRETE CURB & GUTTER
TYPE B-6.12 (MODIFIED)**

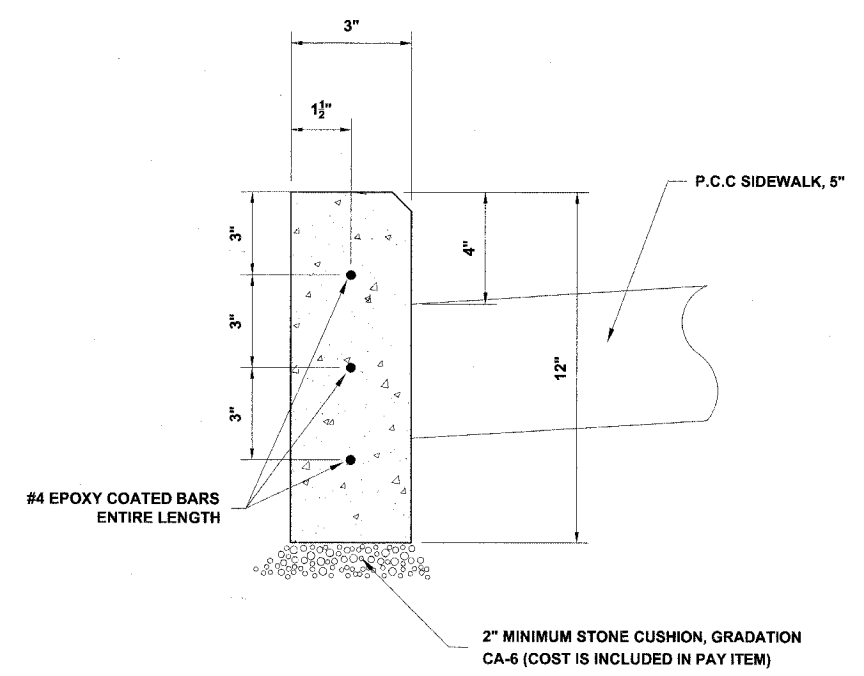


**DECORATIVE BRICK SIDEWALK RAMP
& DETECTABLE WARNING**



- NOTE:**
1. EXPANSION JOINTS ARE TO BE CONSTRUCTED AT ALL PC'S AND PT'S OF INTERSECTION RETURNS AND ALL OTHER SHORT RADIUS SECTIONS, CONSTRUCTION JOINTS & AS DIRECTED BY THE ENGINEER.

**TYPICAL CURB AND GUTTER
EXPANSION JOINT**



CONCRETE CURB, TYPE B (SPECIAL)

Drawing File: W:\Projects\76006033 - Grand Ave Streetscape\Roadway Details.dwg Oct. 16, 2007 - 2:39pm