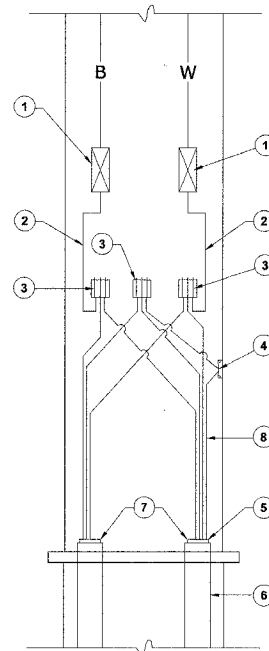
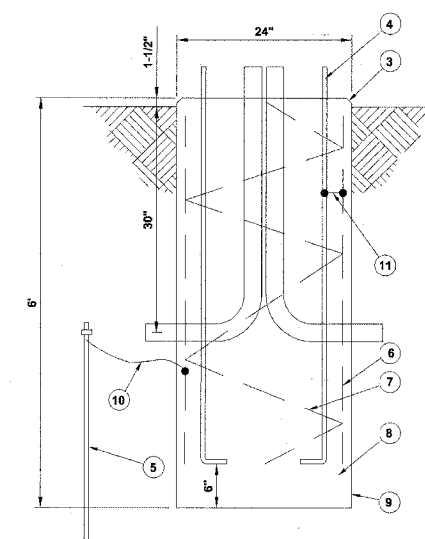
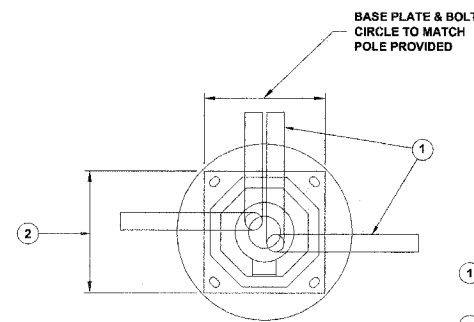


**SPLICING ELECTRIC CABLES  
BASIC MATERIALS AND METHODS**



- 1 2 POLE QUICK DISCONNECT CONNECTOR KIT METHOD A WITH 10 AMP FUSEHOLDER AND INSULATING BOOT CONFORMING TO NEC 404.2B, WITH 5 AMP SMALL AM CYLL. FUSE
- 2 No. 10 AWG WIRE
- 3 SPLICE AS SPECIFIED
- 4 GROUND LUG, UL LISTED
- 5 UNIT DUCT
- 6 3" P.V.C. CONDUIT RACEWAYS
- 7 ENDS OF THE UNIT DUCT SHALL BE SEALED AGAINST THE ENTRANCE OF WATER
- 8 No. 2 GROUND WIRE TO GROUND ROD

**POLE HANDHOLE WIRING DIAGRAM**



- 1 DUAL 3" DIA. P.V.C. ELBOW RACEWAYS. EITHER PARALLEL OR OPPOSITE EACH OTHER AS SHOWN ON PLAN SHEETS.
- 2 MANUFACTURER TO FURNISH TEMPLATE DRAWING FOR SETTING OF ANCHOR BOLTS.
- 3 1" CHAMFER
- 4 4-1" x 36" STEEL ANCHOR BOLTS, TOP 10" THREADED AND GALVANIZED.
- 5 5/8" x 10' GROUND ROD CONNECTED TO GROUND WIRE WITH EXOTHERMIC WELD AT ALL POLE LOCATIONS.
- 6 8-#5 REINFORCING BARS EQUALLY SPACED AROUND AN 18" DIA. CIRCLE
- 7 #4 SPIRAL TIE BARS WITH 6" PITCH
- 8 CLASS SI CONCRETE
- 9 FOUNDATION LOCATIONS AS SHOWN ON PLAN SHEETS.
- 10 No. 2 BARE GROUND WIRE TO GROUND ROD AND REINFORCING BARS WITH EXOTHERMIC WELD.
- 11 No. 10 GROUND WIRE TO GROUND ROD WITH EXOTHERMIC WELD.

**CONCRETE LIGHT POLE FOUNDATION**

Drawing file: W:\Projects\76008033 - Grand Ave Streetscape Lighting Details.dwg Oct 16, 2007 - 2:27pm