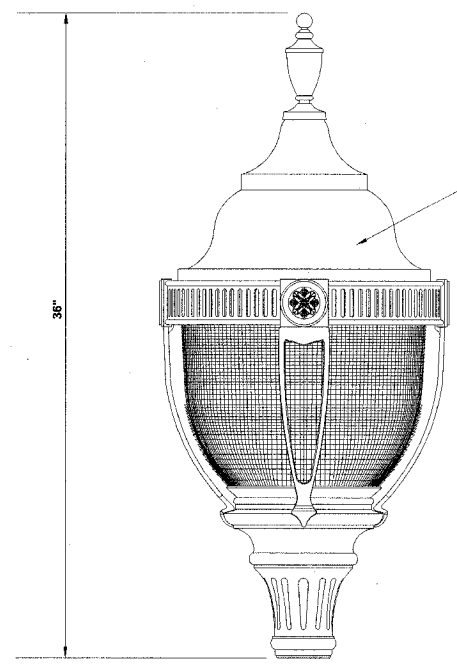


ROUTE NO.	SECTION	COUNTY	TOTAL SHEETS	SHEET NO.
FAU 1376	**	COOK	35	25
ILLINOIS PROJECT		TE-00D1(754)		
VILLAGE SECTION		06-00087-00-SW		
CONTRACT NO. 83926				

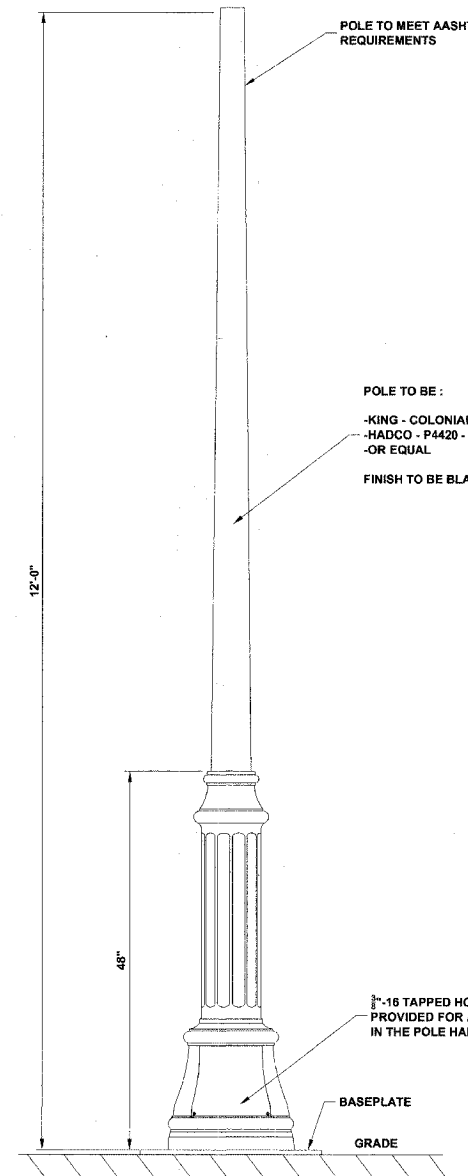


LUMINAIRE TO BE :

- KING - K 118 EAR V 70 MOG 240 K16 BK WITH SOLID BLACK COVER AND WITH 15 AMP, 240V GPCI WITH NEMA 6-15R RECEPTACLE
- HADCO - RS4 C A N E 2 N NG 70S-G WITH SOLID BLACK COVER AND WITH 15 AMP, 240V GPCI WITH NEMA 6-15R RECEPTACLE
- OR EQUAL

FINISH TO BE BLACK POWDER COAT

**DECORATIVE ACORN STYLE LUMINAIRE,
SODIUM VAPOR, TENON MOUNT, 70 WATT**



POLE TO MEET AASHTO REQUIREMENTS

POLE TO BE :

- KING - COLONIAL - KM22RE-12
- HADCO - P4420 - 12A
- OR EQUAL

FINISH TO BE BLACK POWDER COAT

1/8" TAPPED HOLE SHALL BE PROVIDED FOR A GROUND LUG IN THE POLE HANDHOLE

BASEPLATE

GRADE

**DECORATIVE LIGHT POLE, ALUMINUM,
12' MOUNTING HEIGHT**

Drawing file: W:\Projects\76006033 - Grand Ave Streetscape\Lighting_Details.dwg Oct 16, 2007 - 2:24pm



◆ Civil Engineers
◆ Municipal Consultants
◆ Established 1911

9933 Roosevelt Road
Westchester, Illinois 60154-2780
Phone: 708/865-0300
Fax: 708/865-1212

**GRAND AVENUE STREETScape PROJECT
VILLAGE OF RIVER GROVE, ILLINOIS**

LIGHTING DETAILS

SCALE:	NONE	SHEET
DRAWN BY:	LEV/ECW/MK	25 / 35
BOOK NO.:	1441,1443,1516	
DATE:	10-15-07	
REVISION:		
E.H.E. NO.:	760-06-03320	OF