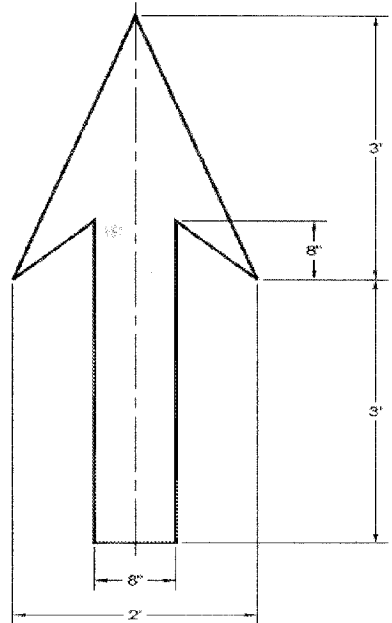
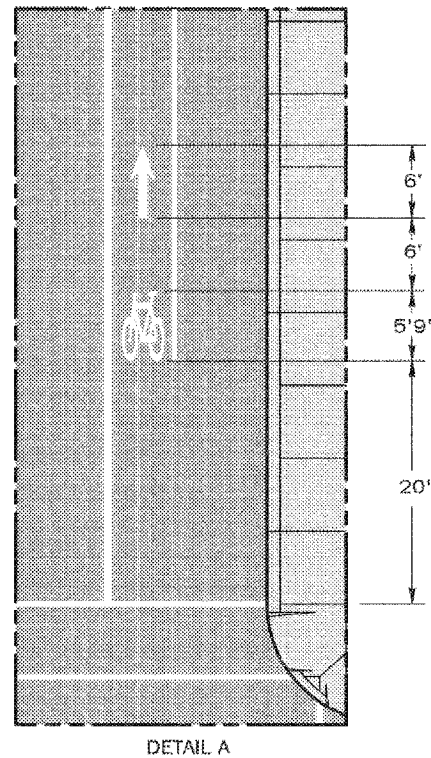
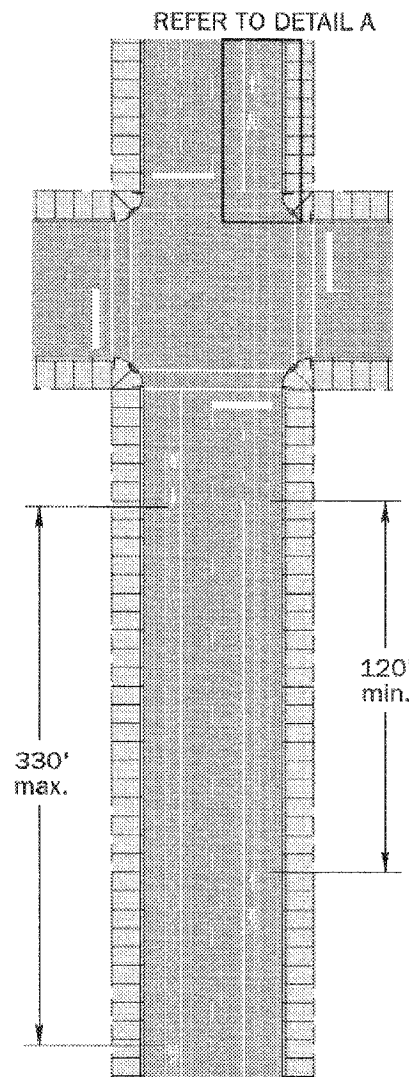


P.A. RTE.	SECTION	COUNTY	TOTAL SHEETS	SHEET NO.
D2-00093-00-BT	DUPAGE			4
TYPICAL BIKEWAY PAVEMENT MARKINGS				
ILLINOIS FED. AID PROJECT				
CONTRACT NO. 83972				

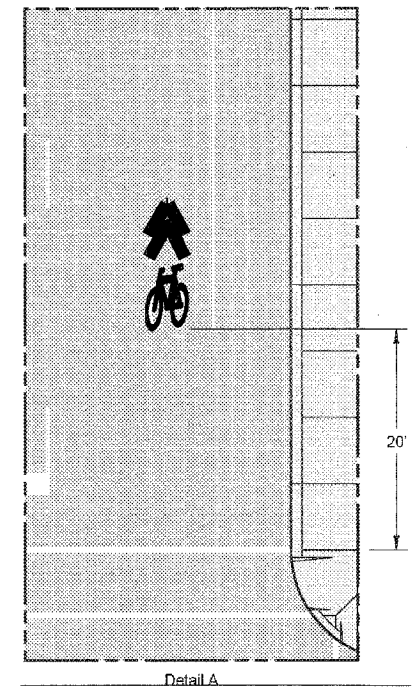
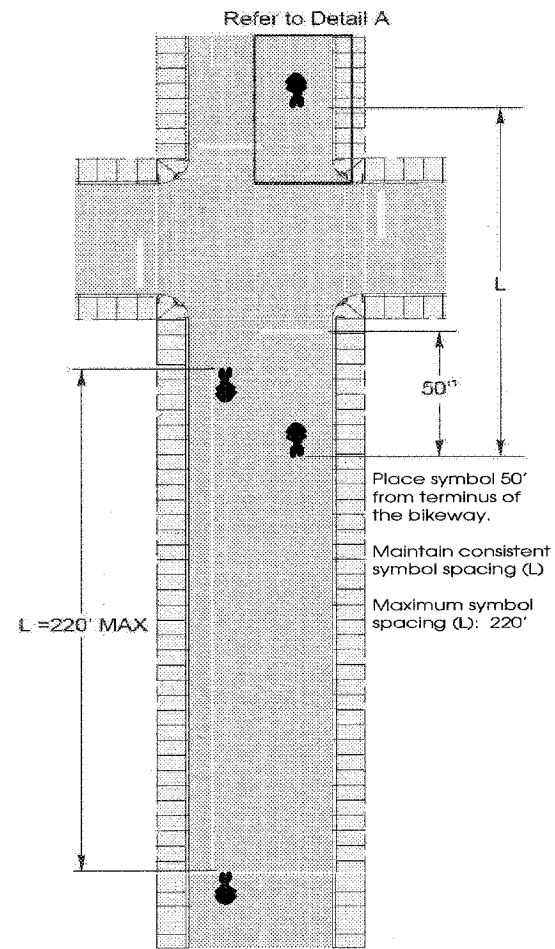
Bike Arrow Lane Marking  
Area = 4.56 sq ft



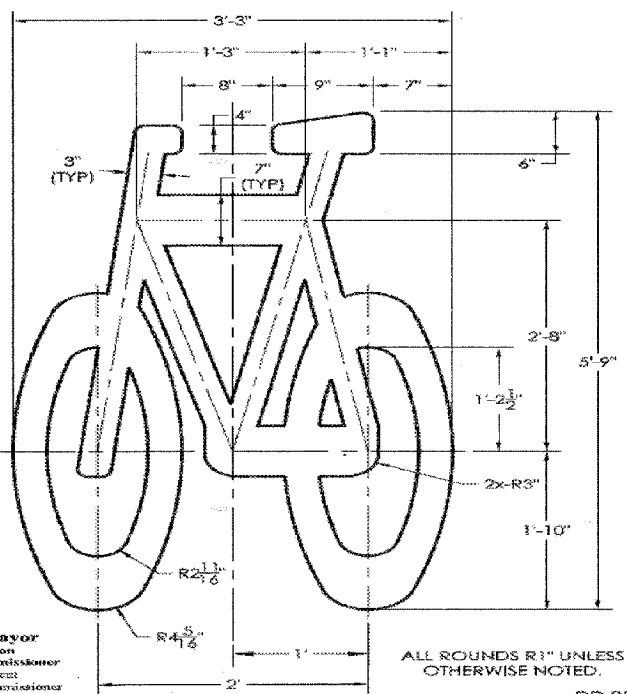
Bike Lane Symbol and Arrow Spacing



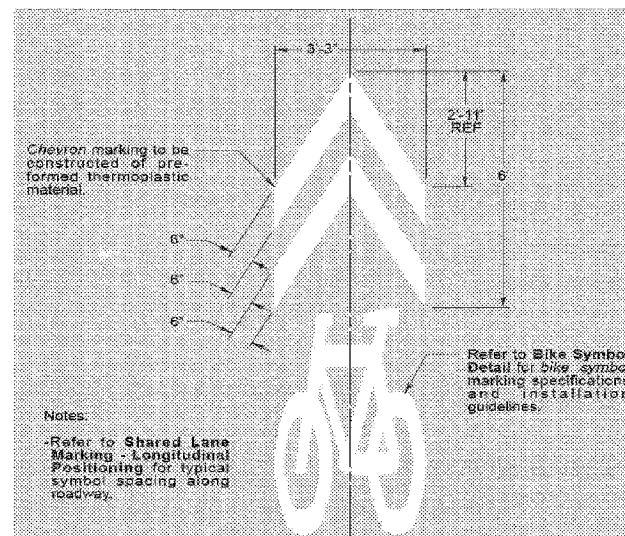
Shared Lane Chevron Spacing



Bicycle Lane Marking  
Area = 8.36 sq ft



Chevron Lane Sharing Symbol  
Area = 6.68 sq ft



REVISIONS	
NAME	DATE
SM	12/21/06
DAT	1/28/07
DAT	4/13/07
DAT	9/13/07

ILLINOIS DEPARTMENT OF TRANSPORTATION  
VILLAGE OF DOWNERS GROVE  
PHASE I BIKE PLAN  
PAVEMENT MARKING DETAILS  
SCALE: 1"=10'  
DATE: 9-13-07  
DRAWN BY SEM  
CHECKED BY CLW