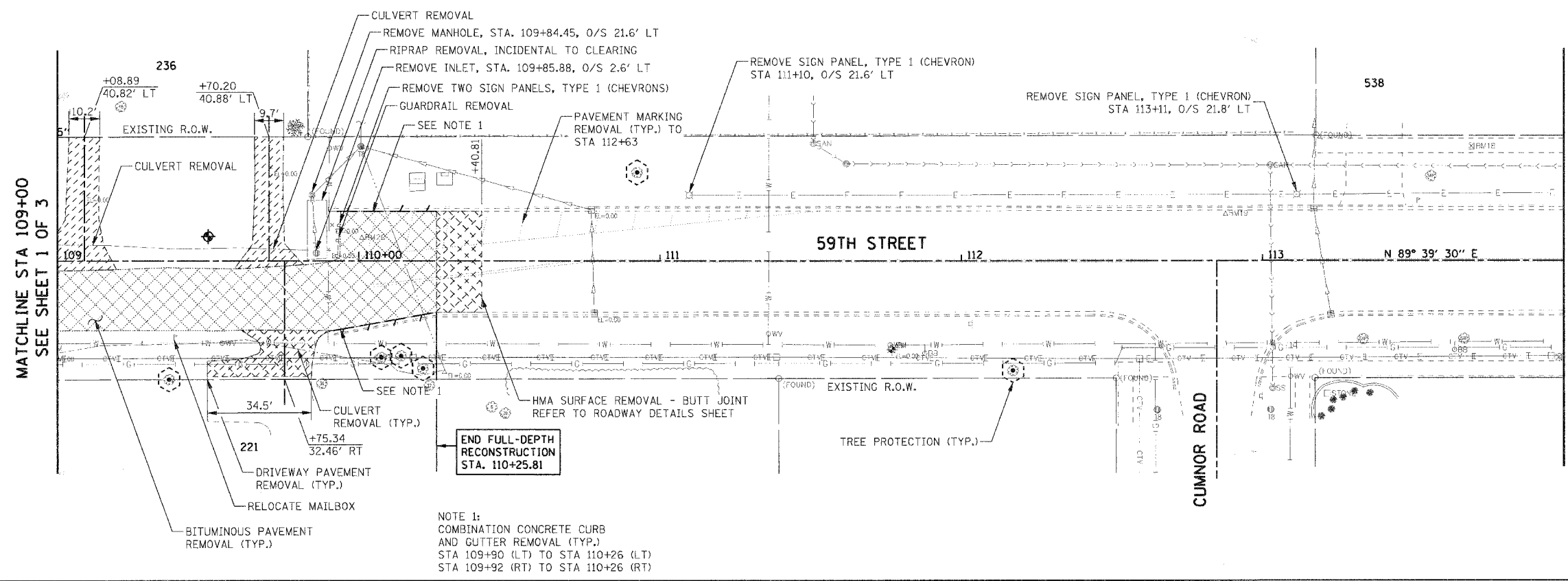


F.A.U. RTE.	SECTION	COUNTY	TOTAL SHEETS	SHEET NO.
1512	05-00093-00-WR	DUPAGE	72	18
STA. 109+00		TO STA. 119+00		
FED. ROAD DIST. NO. 1 ILLINOIS FED. AID PROJECT				
PROJECT NO.: M-8003 (699)				

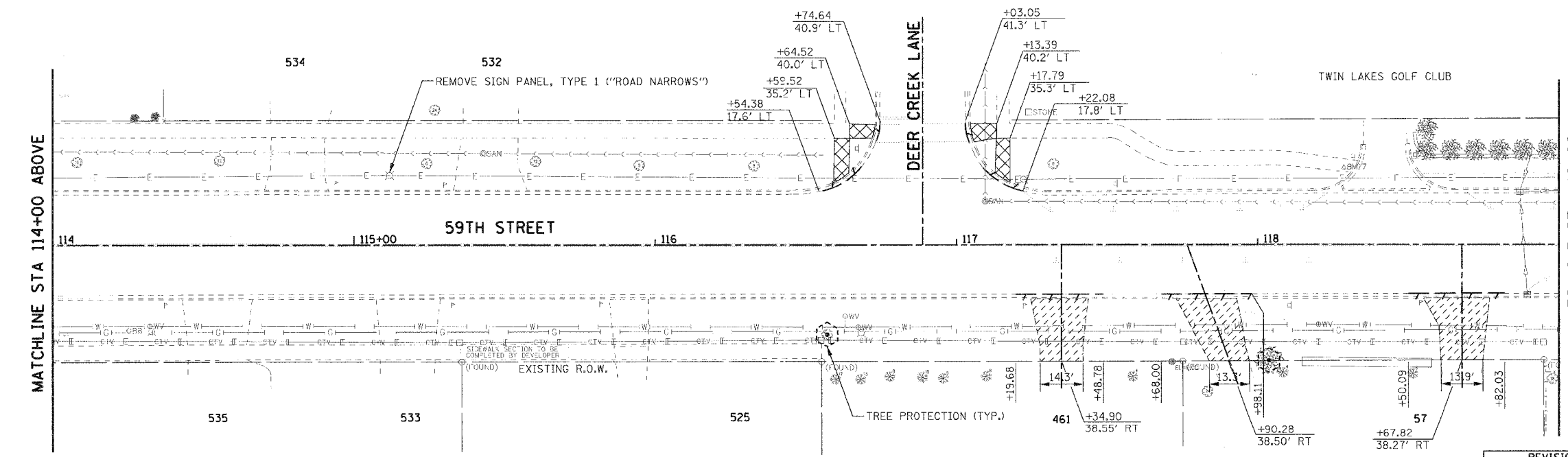
PLAN	SURVEYED	DATE
	BY	
	PLOTTED	
	BY	
	NOTED	
	BY	
	DATE	



REMOVAL LEGEND:

	BITUMINOUS PAVEMENT REMOVAL
	SIDEWALK REMOVAL
	DRIVEWAY PAVEMENT REMOVAL
	HMA SURFACE REMOVAL - BUTT JOINT
	COMBINATION CURB AND GUTTER REMOVAL
	TREE REMOVAL
	TREE PROTECTION
	SAPLING (LESS THAN 6" DIA.), SHRUB, AND BUSH REMOVAL; CONSIDERED INCIDENTAL TO CLEARING

PROFILE	SURVEYED	DATE
	BY	
	PLOTTED	
	BY	
	NOTED	
	BY	
	DATE	



REVISIONS		ILLINOIS DEPARTMENT OF TRANSPORTATION
NAME	DATE	
		VILLAGE OF WESTMONT 59TH STREET RECONSTRUCTION  REMOVAL PLAN SHEET 2 OF 3  SCALE: 1"=20' DATE: 09/21/07

PLOT DATE = #DATE#  
 FILE NAME = #FILE#  
 PLOT SCALE = #SCALE#  
 USER NAME = #USER#