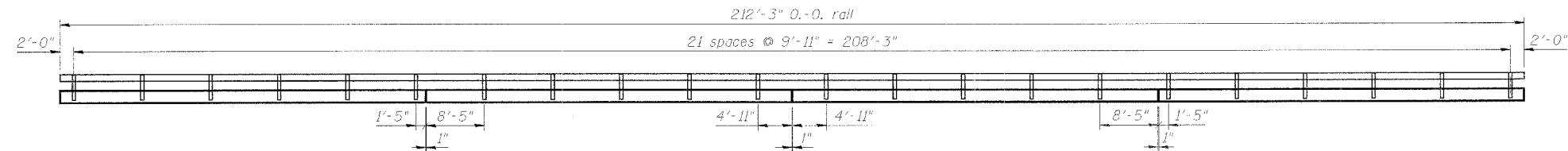
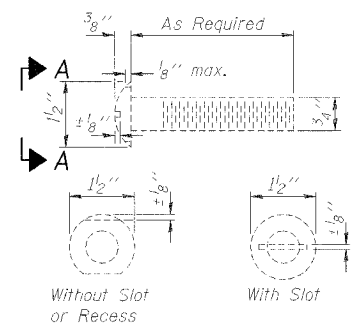
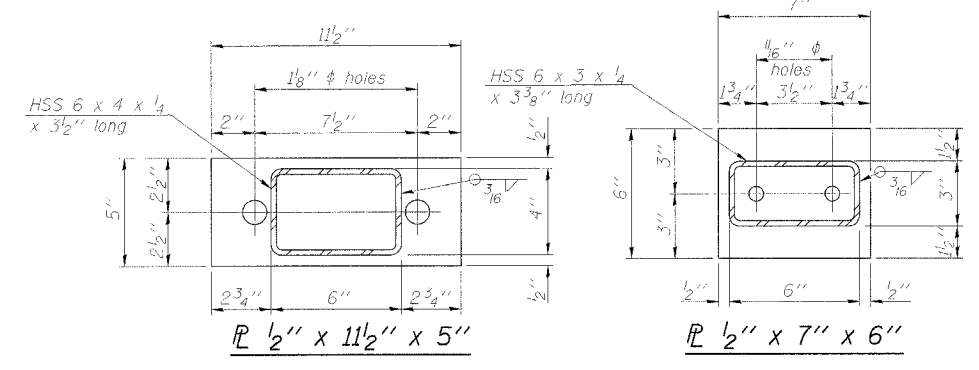


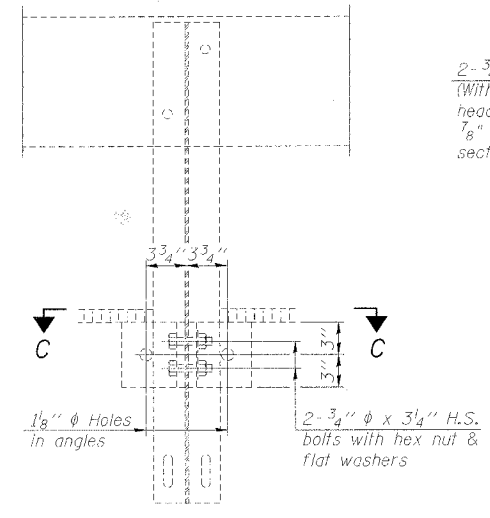
FIGURE	SECTION	COUNTY	SHEET	TOTAL SHEETS
TR 61A	06-15118-01-BR 06-02121-01-BR	OGLE WINNEBAGO	14	13
FED. ROAD DIST. NO. 7		ILLINOIS	FED. AID PROJECT: BHOS-1416(4)	



RAIL POST SPACING

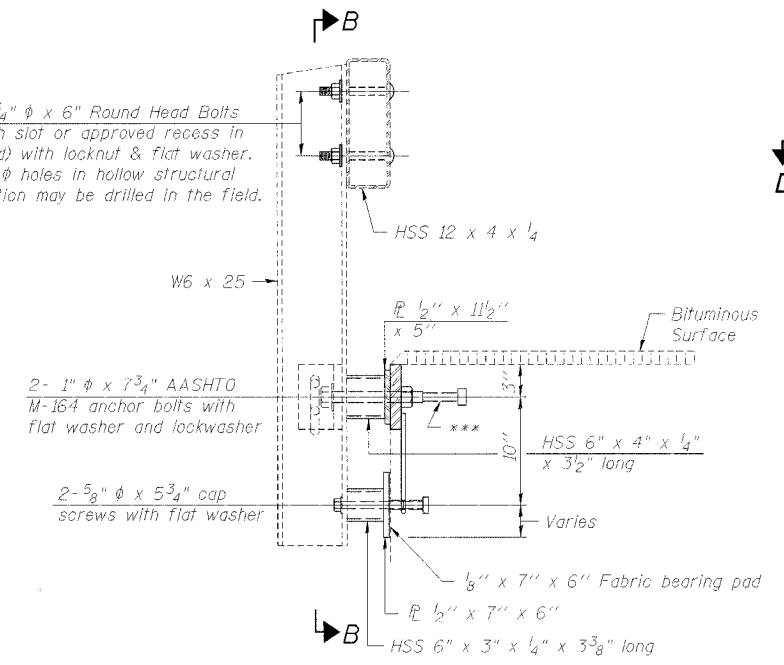


VIEW A-A
ROUND HEAD BOLT

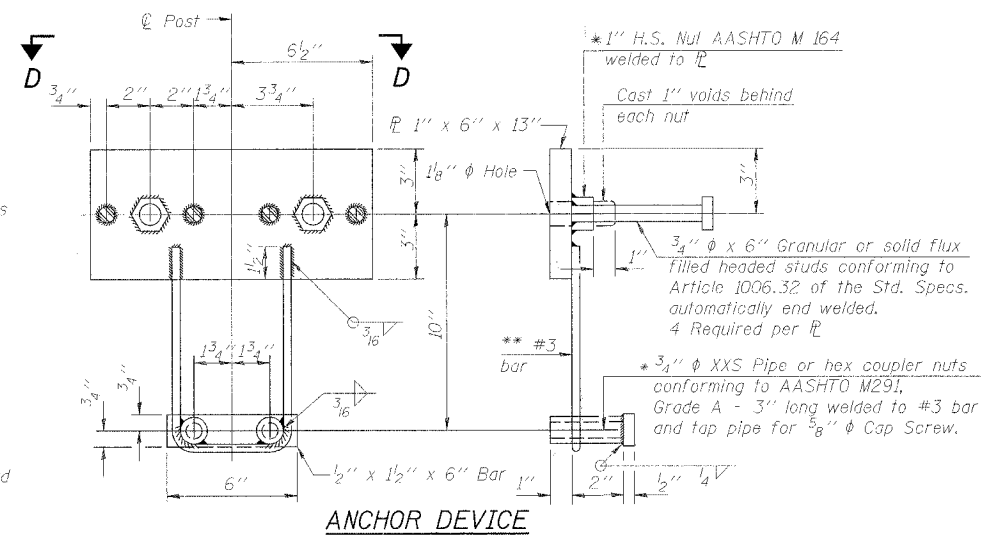


SECTION B-B

2-3/4" ϕ x 6" Round Head Bolts (With slot or approved recess in head) with locknut & flat washer. 7/8" ϕ holes in hollow structural section may be drilled in the field.

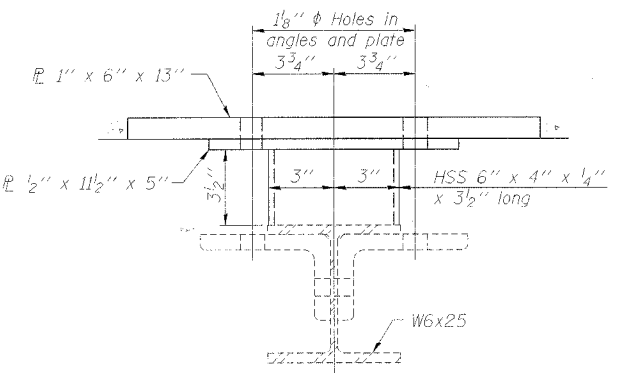


SECTION AT RAILING POST

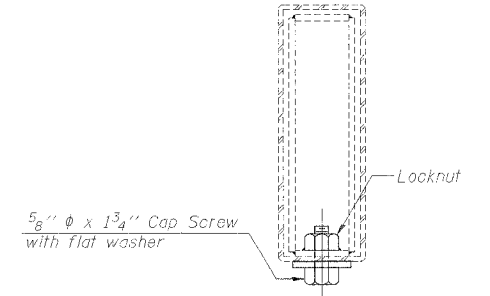


ANCHOR DEVICE

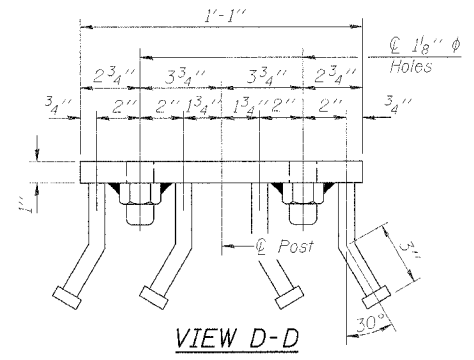
- Notes:**
- Rail post, rail & accessories shall be removed from existing beams and re-erected on proposed beams along with new material shown on this Steel Rail, Type S-1 sheet.
 - All field drilled holes shall be coated with an approved zinc rich paint before erection.
 - For multi-span bridges, sufficient 1/4" x 6" x 1'-2" galvanized steel shims shall be provided to align rail between adjacent spans. Cost included with Steel Railing, Type S-1.
 - All steel rail elements shall be galvanized according to Article 509.05 of the Standard Specifications.
 - Threaded areas shall be plugged or blocked off during casting of beam.
 - Whenever the lower insert assemblies interfere with strand locations, the #3 bars shall be cut and adjusted in order to allow raising or lowering of the lower inserts. Maximum adjustment not to exceed 1/2".
 - The studs of the anchor devices shall be placed below the top reinforcement bars and the outermost longitudinal reinforcement bar shall be placed directly above the studs of the rail post anchor device.



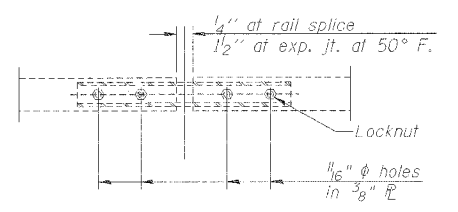
SECTION C-C



SECTIONS AT RAIL SPLICE
Contractor shall coordinate with rail supplier for number of splices on bridge rail for number of bolts, nuts and washers for replacement.



VIEW D-D



PLAN-BOTT. SPLICE P
TYPICAL

BILL OF MATERIAL

Item	Unit	Quantity
Removing & Re-Erecting Existing Rail	Foot	425

STEEL RAIL, TYPE S-1
EDSON ROAD (TR 61A) OVER
SOUTH BRANCH KISHWAUKEE RIVER
STA. 41+00 (S.N. 071-3304)
SECTION 06-15118-01-BR
MONROE ROAD DISTRICT
OGLE COUNTY
SECTION 06-02121-01-BR
CHERRY VALLEY ROAD DISTRICT
WINNEBAGO COUNTY
WHA # 1092D06