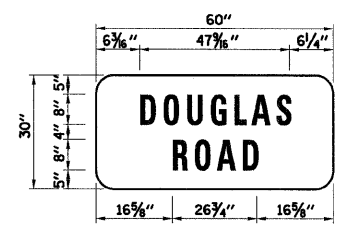
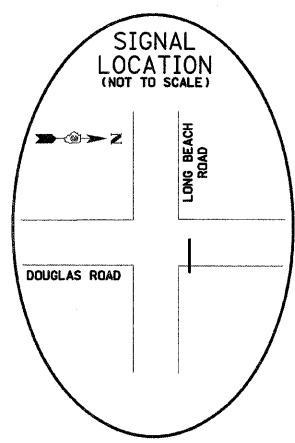
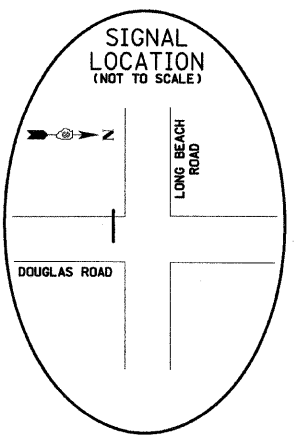
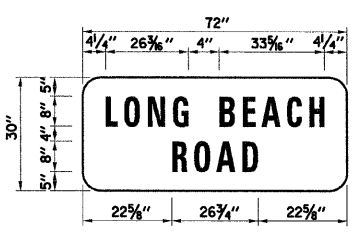


F.A.U. RTE.	SECTION	COUNTY	TOTAL SHEETS	SHEET NO.
2508	02-00039-00-PV	KENDALL	146	81
STA.		TO STA.		
FED. ROAD DIST. NO.		ILLINOIS FED. AID PROJECT		

87333



12.50 SQ. FT. EACH
2 REQUIRED
DESIGN SERIES D



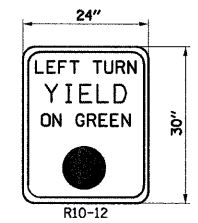
15.00 SQ. FT. EACH
2 REQUIRED
DESIGN SERIES D

STREET NAME SIGN DETAIL

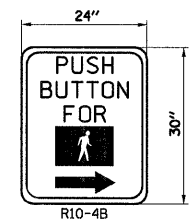
THESE STREET NAME SIGNS SHALL BE PLACED ON THE MAST ARMS PARALLEL TO THE RESPECTIVE ROUTE AS DIRECTED BY THE ENGINEER.

STREET NAME SIGNS

1. TYPE A SHEETING REQUIRED
2. WHITE LETTERING ON GREEN BACKGROUND
3. 3/4" WHITE BORDER



TYPE "A" SHEETING REQUIRED
5.0 SQ. FT. EACH
2 REQUIRED



TYPE "A" SHEETING REQUIRED
5.0 SQ. FT. EACH
4 REQUIRED

LEFT TURN CONTROL SIGN DETAIL

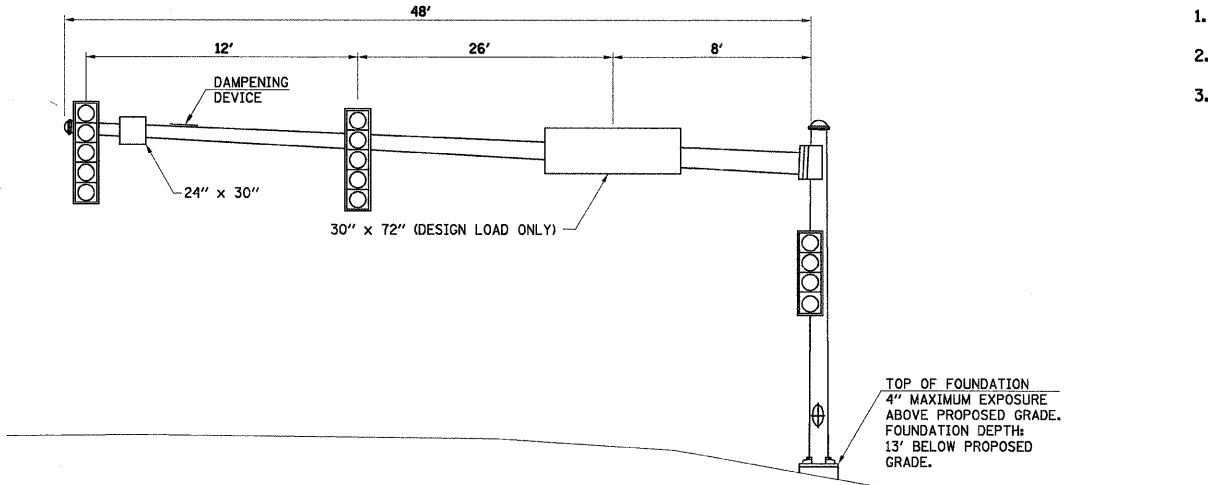
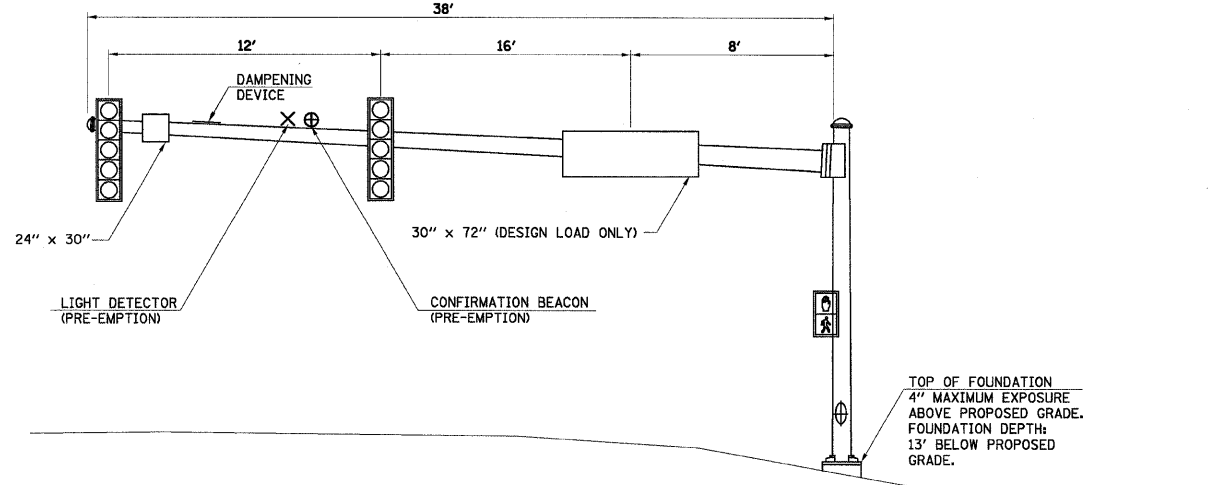
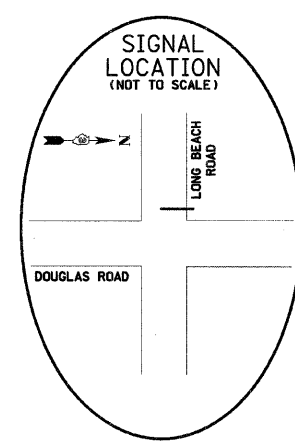
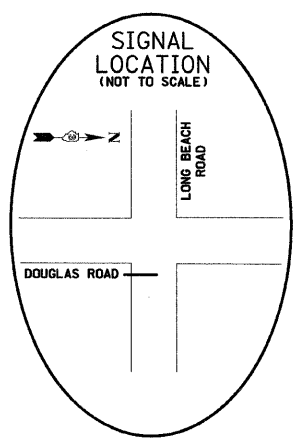
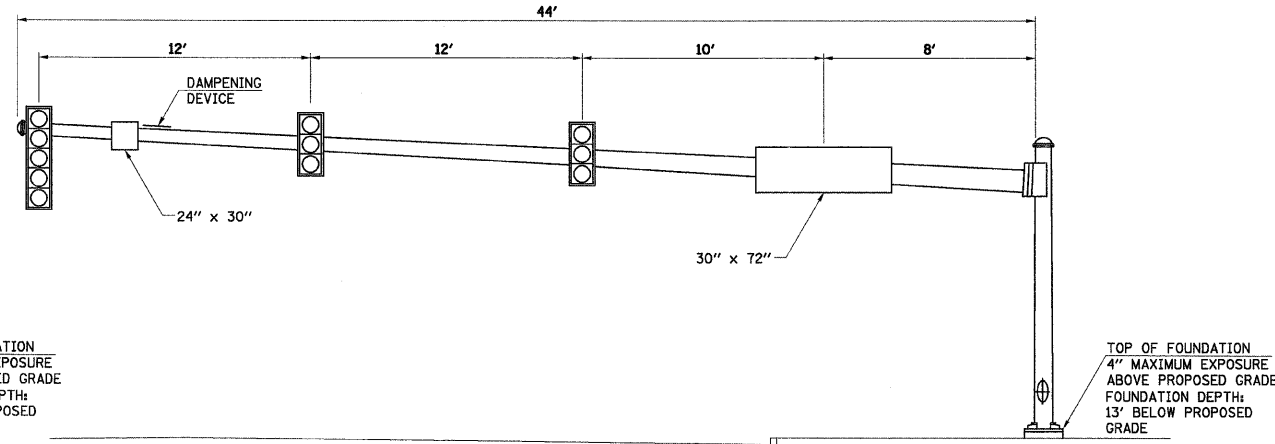
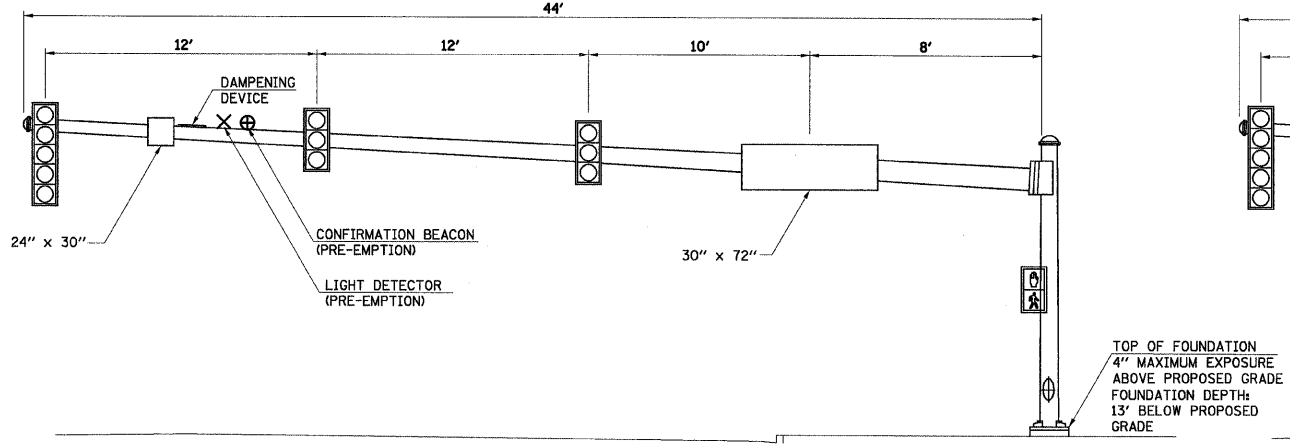
THIS SIGN SHALL BE LOCATED 6 TO 12 INCHES TO THE RIGHT OF THE NORTHBOUND AND SOUTHBOUND MAST ARM MOUNTED LEFT TURN SIGNAL HEAD.

NOTES

1. ALL SIGNAL HEADS HAVE BACKPLATES.
2. ALL MAST ARM FOUNDATIONS TO BE 36" DIAMETER.
3. DAMPENING DEVICE SHALL CONSIST OF A 24" X 30" TYPE-I, UNPAINTED ALUMINUM SIGN STOCK MOUNTED HORIZONTALLY ON TOP OF MAST ARM WITH THE 30" LENGTH PERPENDICULAR TO THE ARM. COST OF THE DAMPENING DEVICE SHALL BE INCLUDED IN THE MAST ARM PAY ITEM.

PLAN	SURVEYED	DATE
	PLOTTED	
	NOTE BOOK	
	NO. _____	

PROFILE	SURVEYED	DATE
	PLOTTED	
	NOTE BOOK	
	NO. _____	



ILLINOIS DEPARTMENT OF TRANSPORTATION
F.A.U. 2508 - DOUGLAS ROAD
(U.S. RTE 34 TO U.S. RTE 30)
LONG BEACH ROAD
MAST ARM LOADING DIAGRAMS
STREET SIGN DETAIL

SCALE: VERT. _____
 HORIZ. _____
 DATE _____

DRAWN BY _____
 CHECKED BY _____

245227 AM
 3/28/2007
 Y:\Jobs\smh\11200\010742_douglas\cadd\Fin_dwg\142.sig03.mc.dgn