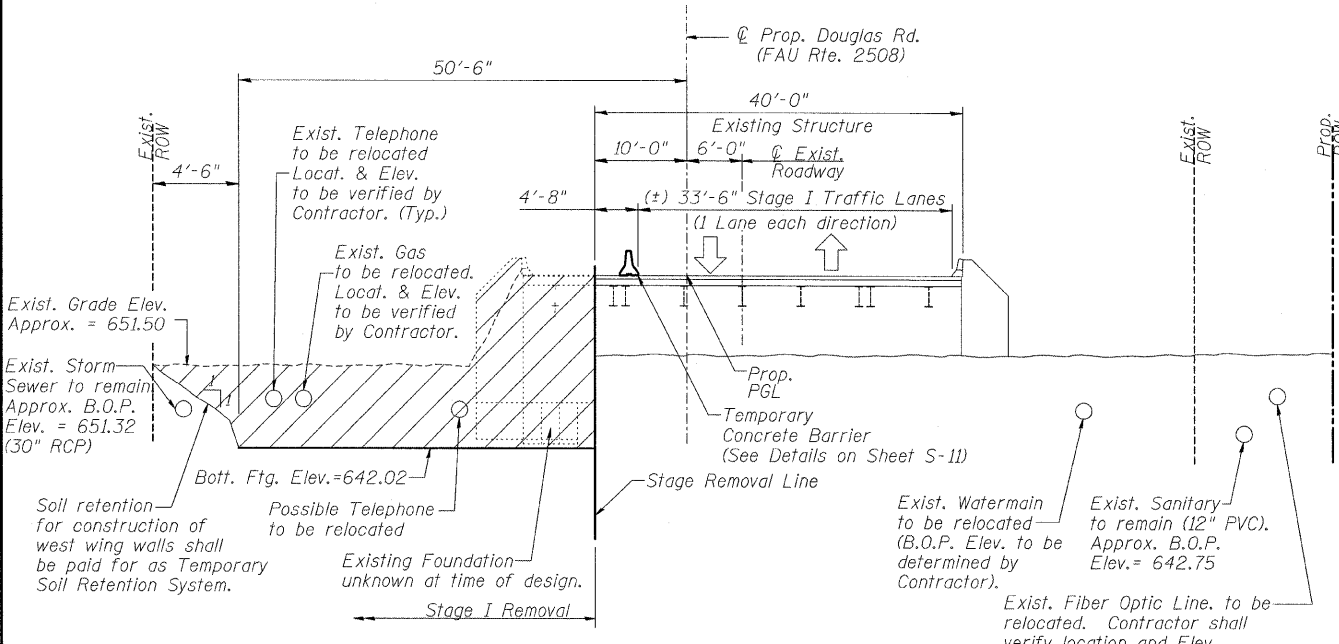


F.A.U. RTE.	SECTION	COUNTY	TOTAL SHEETS	SHEET NO.
2508	02-00039-00-PV	KENDALL	146	104
STA.		TO STA.		
FED. ROAD DIST. NO.	ILLINOIS	FED. AID PROJECT		
S-04				87333

NOTE: Construction of Douglas Road over Waubonsee Creek is part of Phase II Construction for Douglas Road Improvements from U.S. Route 30 to U.S. Route 34 in Oswego, Illinois.

DATE	BY	REVISION

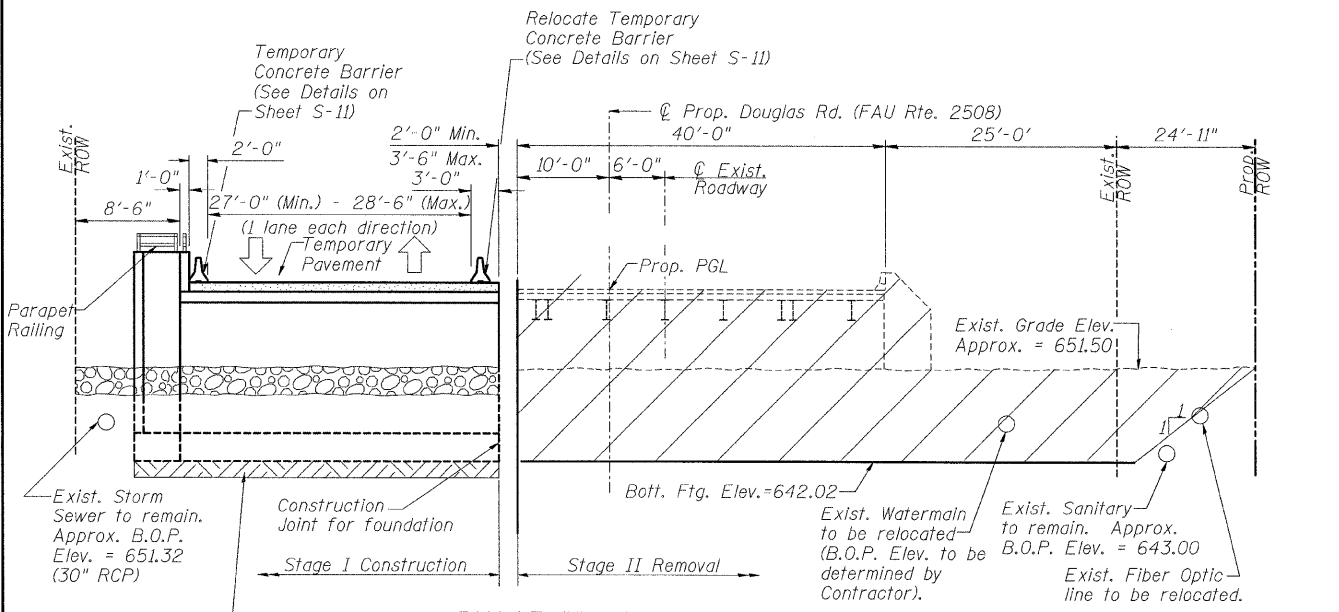


PHASE II STAGE DETAILS

Stage I Removal
Looking Upstation

= To Be Removed

DATE	BY	REVISION

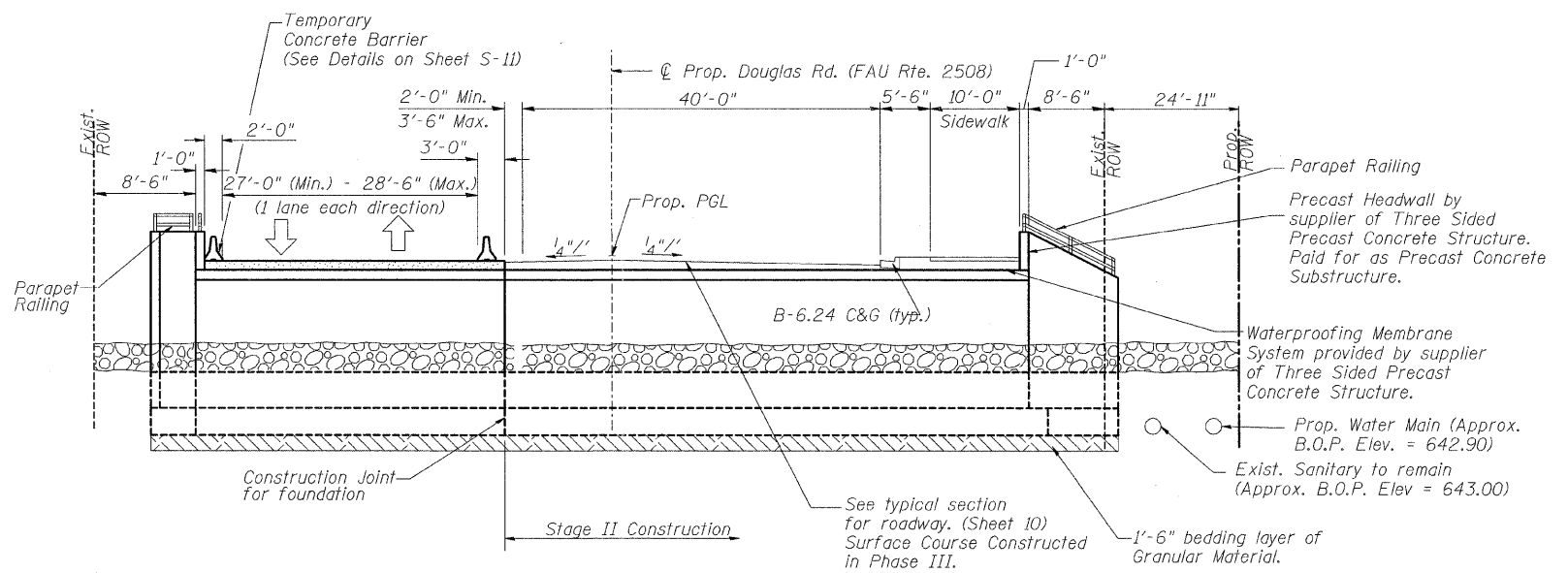


PHASE II STAGE DETAILS

Stage I Construction / Stage II Removal
Looking Upstation

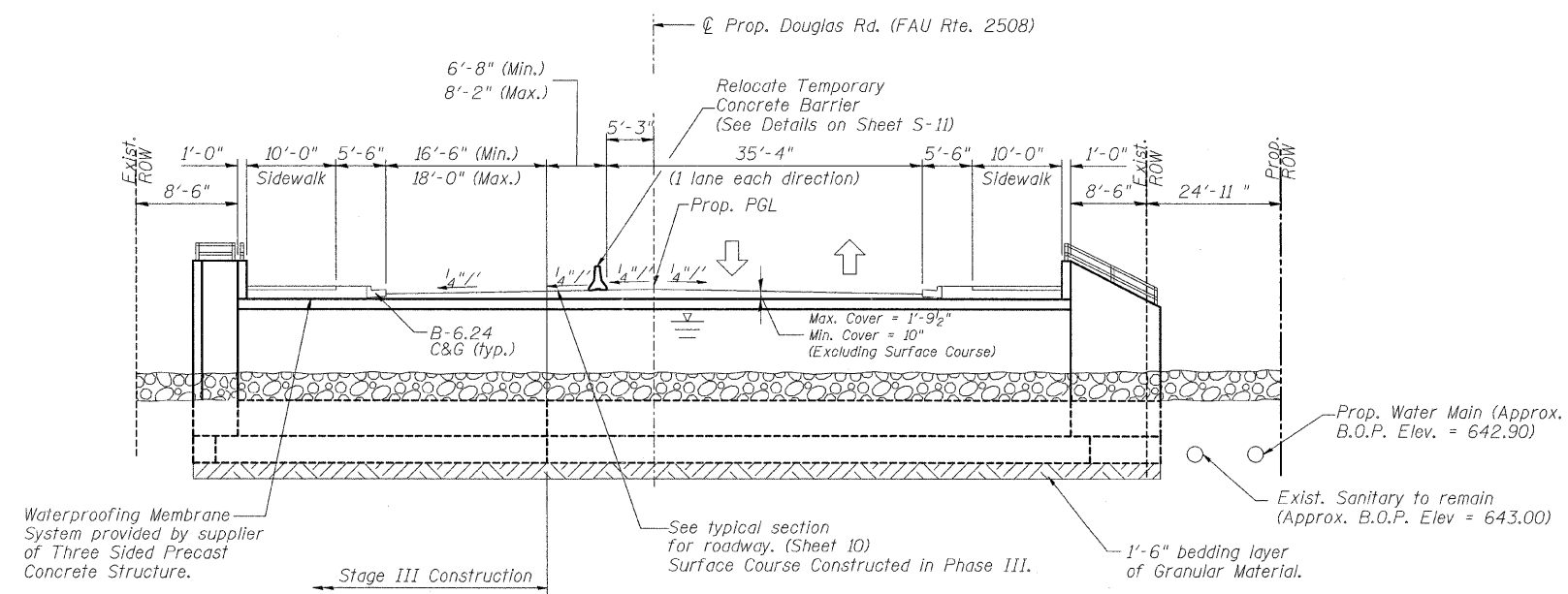
= To Be Removed

1'-6" bedding layer of Granular Material per Section 502 of the Standard Specification and Guide Bridge Special Provision for Three Sided Precast Concrete Structure.



PHASE II STAGE DETAILS

Stage II Construction
Looking Upstation



PHASE II STAGE DETAILS

Stage III Construction
Looking Upstation

ILLINOIS DEPARTMENT OF TRANSPORTATION
F.A.U. 2508 - DOUGLAS ROAD
(U.S. RTE 34 TO U.S. RTE 30)
STAGE CONSTRUCTION DETAILS
DOUGLAS ROAD OVER WAUBONSEE CREEK
SECTION 02-00039-00-PV, STA. 49+42
SN 047-6306, KENDALL COUNTY

Illinois Professional Design Firm # 184-000108
SEC GROUP, INC.
 Smith Engineering Consultants • SEC Automation • SEC Planning
 4000 Prairie Parkway, McHenry, IL 60050-2136
 T 815.385.1778 F 815.385.1761
 www.secgroupinc.com engineering@secgroupinc.com

VERT. N.T.S.
 HORIZ. N.T.S.
 SCALE: DATE
 DRAWN BY
 CHECKED BY