

F.A.U. RTE.	SECTION	COUNTY	TOTAL SHEETS	SHEET NO.
2508	02-00039-00-PV	KENDALL	146	108
STA.	TO STA.			
FED. ROAD DIST. NO.	ILLINOIS	FED. AID PROJECT		

S-08 87333

NOTES

Railing shall be according to Section 509 of the Standard Specifications, except as noted, and will be paid for at the Contract Unit Price per foot for Parapet Railing or Steel Railing.

Hollow structural sections shall conform to the requirements of ASTM designation A 500, Grade B, structural steel tubing.

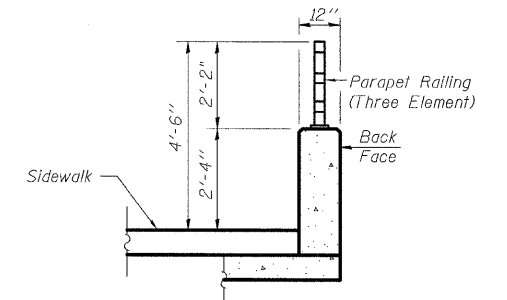
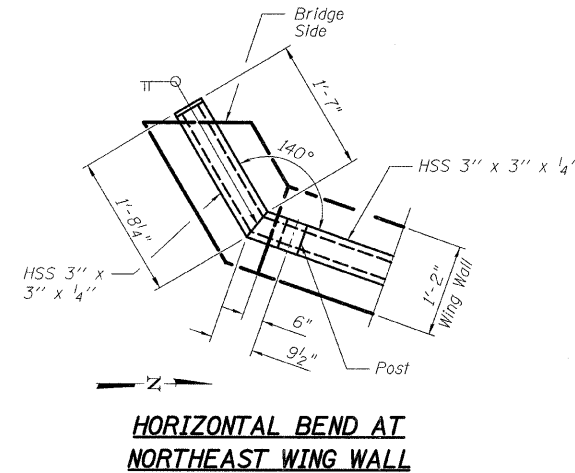
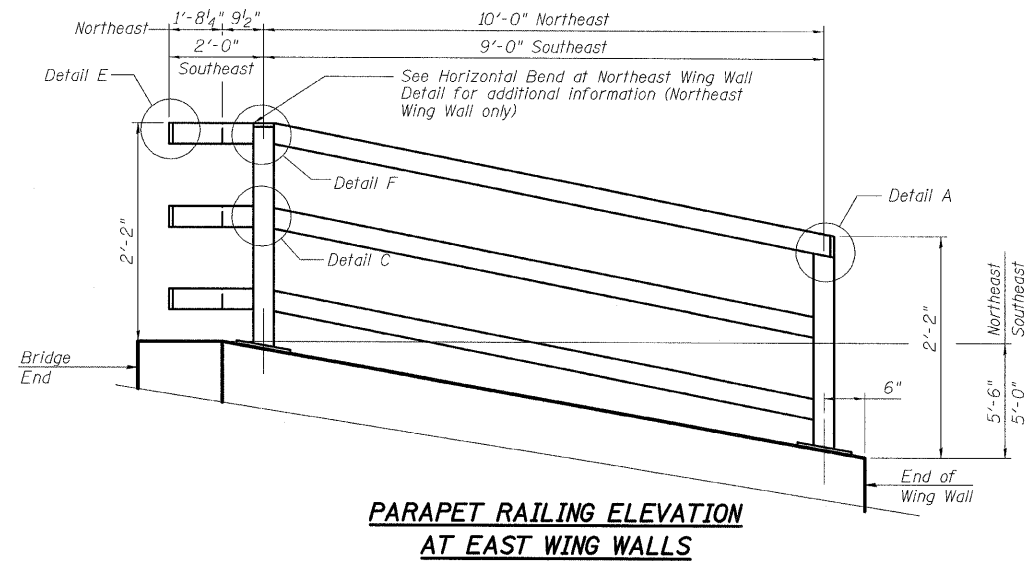
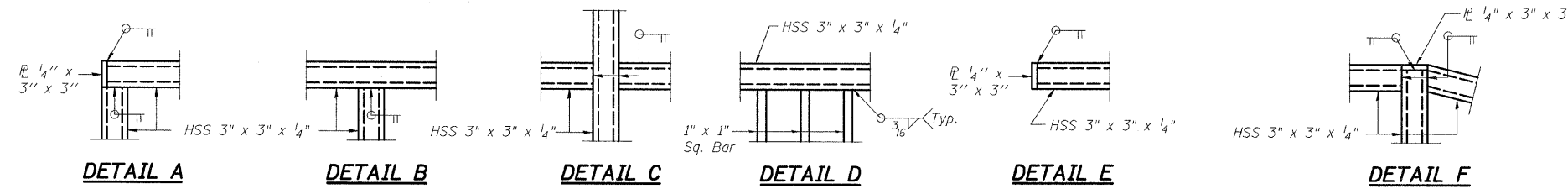
All other steel shapes and plates shall conform to the requirements of AASHTO M 270 Grade 36.

If the option of drilling and epoxy grouting the anchor rods is chosen, the Contractor shall use the capsule or the adhesive cartridge type anchor rods that have been previously tested and given a prior approval by the Department. The Contractor shall install these anchor rods in pre-drilled holes according to the manufacturer's recommendations and procedures. The capsule or the adhesive cartridge shall be sealed with pre-measured amounts of the adhesive chemical.

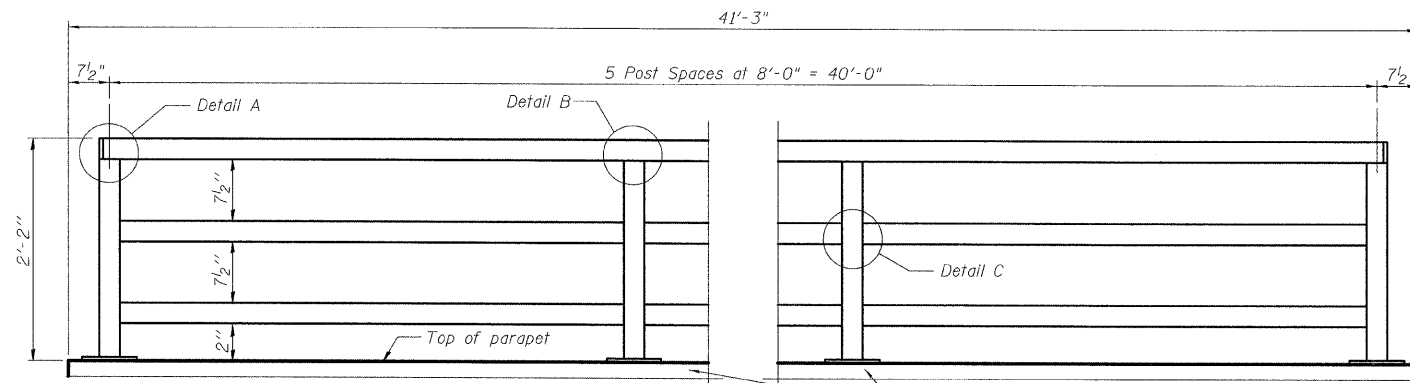
Space reinforcement to miss anchor rods.

All post, railing, pickets, splices, and anchor devices shall be painted in accordance with section 506 of the Standard Specifications. Color shall be Black.

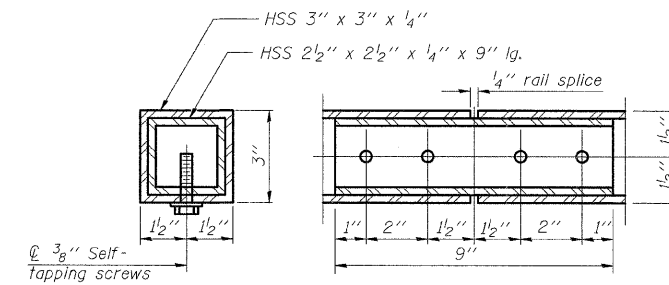
In lieu of the cast-in-place anchor device shown, the Contractor has the option of drilling and epoxy grouting $\frac{5}{8}$ " ϕ anchor rods. Embedment shall be according to the manufacturer's specifications. Work this sheet with sheets S-04 thru S-09.



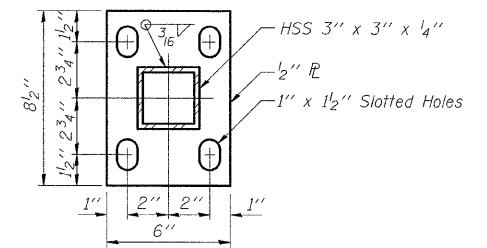
SECTION THRU PRECAST PARAPET
(Precast Parapets by supplier of Three Sided Precast Concrete Structure)



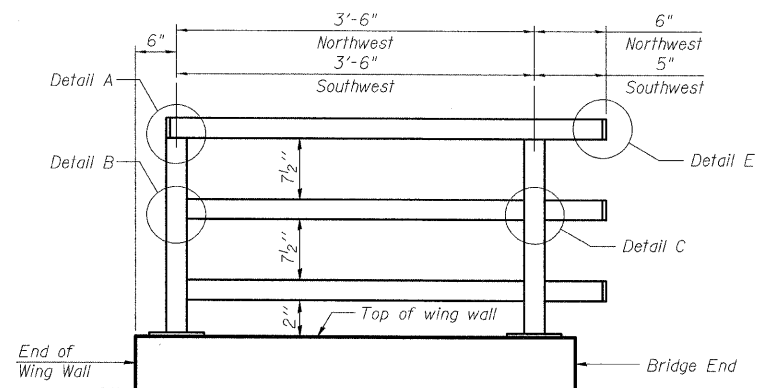
PARAPET RAILING POST SPACING ELEVATION
(Inside face of Three Element Rail)
Precast Parapets by supplier of Three Sided Precast Concrete Structure



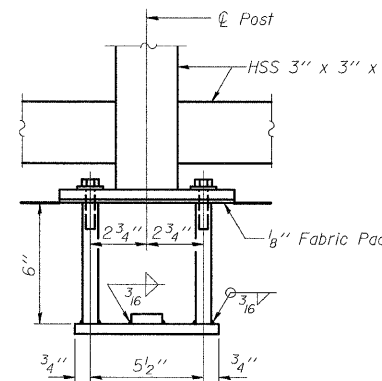
RAIL SPLICE



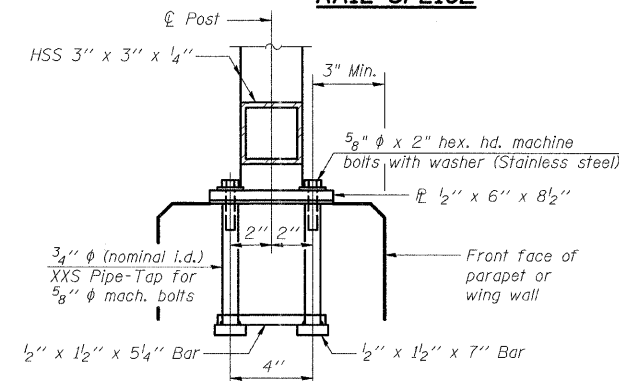
BASE PL



PARAPET RAILING ON WEST WING WALLS



ANCHOR BOLT DETAILS
Parapet Railings



BILL OF MATERIAL

Item	Unit	Quantity
Parapet Railing	Foot	112

ILLINOIS DEPARTMENT OF TRANSPORTATION
F.A.U. 2508 - DOUGLAS ROAD
(U.S. RTE 34 TO U.S. RTE 30)
BRIDGE RAILING DETAILS
DOUGLAS ROAD OVER WAUBONSEE CREEK
SECTION 02-00039-00-PV, STA. 49+42
SN 047-6306, KENDALL COUNTY

SCALE: VERT. _____
HORIZ. _____
DRAWN BY _____
CHECKED BY _____



Illinois Professional Design Firm # 184-000108
SEC GROUP, INC.
Smith Engineering Consultants • SEC Automation • SEC Planning
4500 Prime Pkwy, Mchenry, IL 60050-2136
L 815.385.1778 F. 815.385.1781
www.secgroupinc.com engineering@secgroupinc.com

DATE	
BY	
PLAN	
SURVEYED	
ALIGNMENT CHECKED	
GRADES CHECKED	
NOTES FILED	
NO.	

DATE	
BY	
PROFILE	
SURVEYED	
GRADES CHECKED	
NOTES FILED	
NO.	

STAMP
DATE
FILES