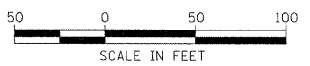


F.A. RTE.	SECTION	COUNTY	TOTAL SHEETS	SHEET NO.
2508 D2-00039-00-PV	KENDALL		137	116
STA.	TO STA.			
FED. ROAD DIST. NO.	ILLINOIS	FED. AID PROJECT		

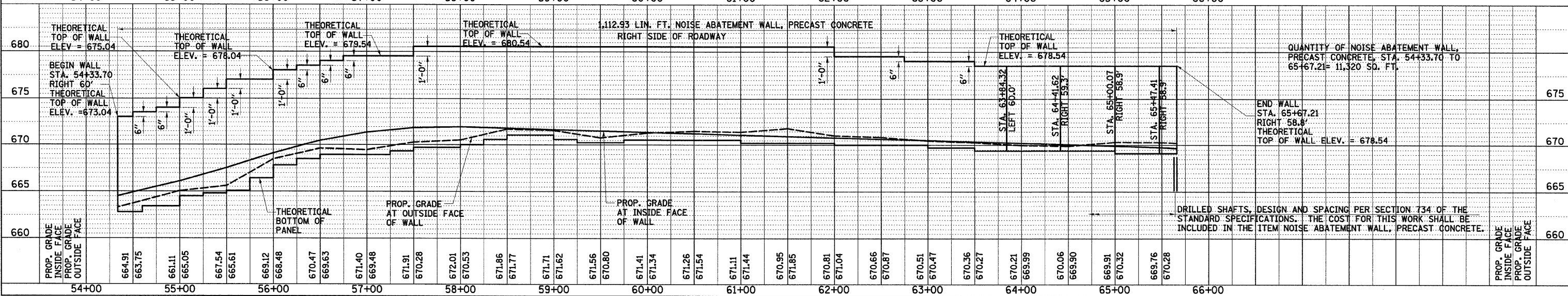
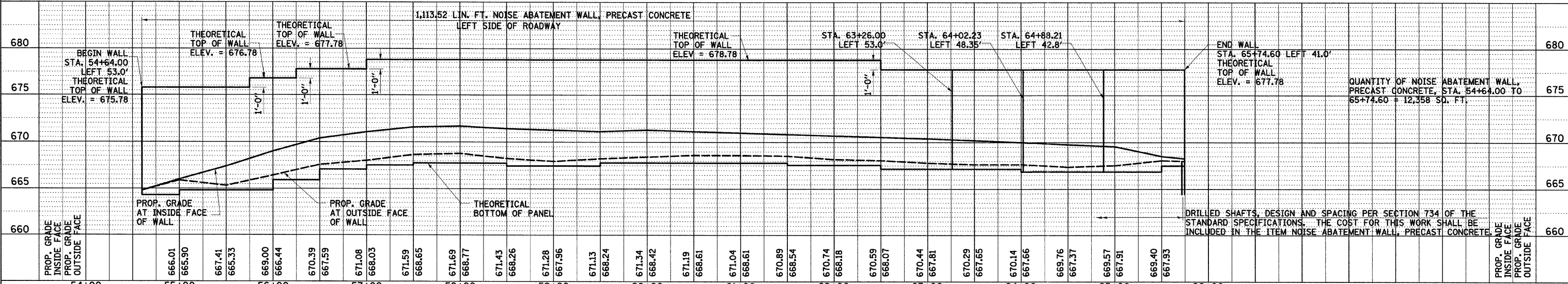
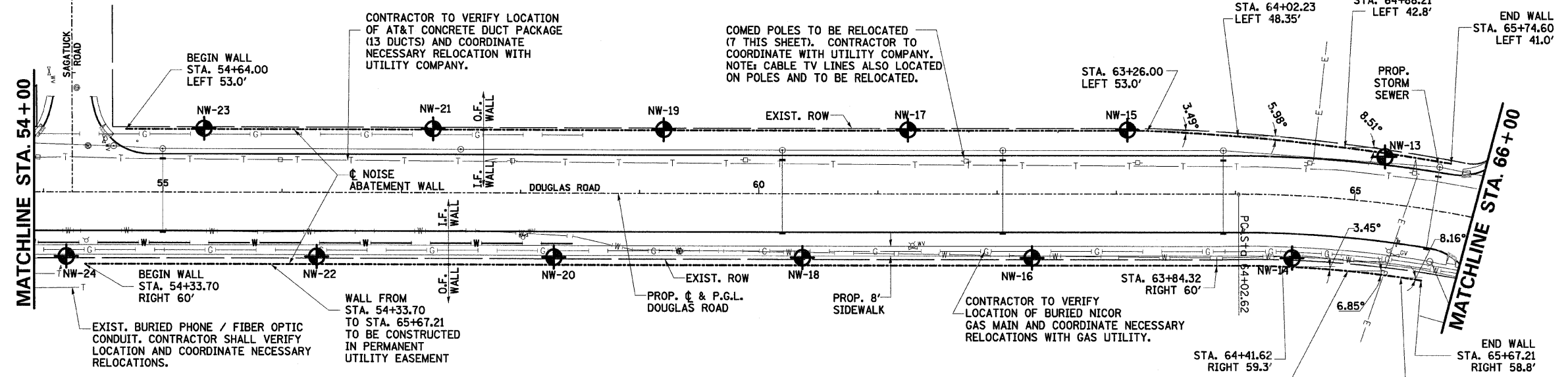
SW-03



NOISE ABATEMENT WALL NOTES:

1. OFFSETS SHOWN IN PLAN ARE TO ϕ OF WALL PANELS & ϕ OF FOUNDATION. 30" DIA. DRILLED SHAFTS ASSUMED IN LAYOUT OF WALL.
2. THEORETICAL BOTTOM OF PANEL ELEVATIONS SHALL EXTEND 6" MIN. BELOW LOWEST GRADE ELEVATION (AT INSIDE FACE OR OUTSIDE FACE OF WALL, WHICHEVER CONTROLS).
3. SEE NOISE ABATEMENT WALL, PRECAST CONCRETE SPECIAL PROVISION FOR WALL DESIGN CRITERIA AND REQUIREMENTS.
4. ANTI-GRAFFITI COATING QUANTITY = 39,921 SQ. FT. SEE SPECIAL PROVISIONS FOR REQUIREMENTS.

\odot = SOIL BORING LOCATION (SEE PROJECT SPECIFICATION FOR COPIES OF SOIL BORING LOGS).
 I.F. = INSIDE FACE
 O.F. = OUTSIDE FACE



DOUGLAS ROAD STA. 54+00 TO 66+00 - NOISE WALL DETAILS

SMITH ENGINEERING CONSULTANTS, INC.
 CIVIL/STRUCTURAL ENGINEERS AND SURVEYORS
 1111 S. WASHINGTON ST., SUITE 200
 CHICAGO, ILL. 60605
 TEL: 312.587.1100 FAX: 312.587.1101
 WWW.SMITHENGINEERS.COM

DATE: _____ BY: _____
 CHECKED: _____
 DATE: _____ BY: _____
 CHECKED: _____

DATE: _____ BY: _____
 CHECKED: _____
 DATE: _____ BY: _____
 CHECKED: _____

DATE: _____ BY: _____
 CHECKED: _____
 DATE: _____ BY: _____
 CHECKED: _____