

1-18-13 LETTING ITEM 019

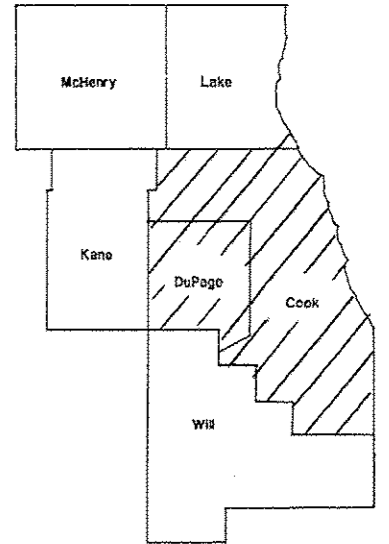
ROUTE	SECTION	COUNTY	TOTAL SHEETS	SHEET NUMBER
VARIOUS	2012-081-DTR	COOK/DUPAGE	6	1

CONTRACT 60V91
D-91-104-13

STATE OF ILLINOIS
DEPARTMENT OF TRANSPORTATION
DIVISION OF HIGHWAYS
DISTRICT ONE

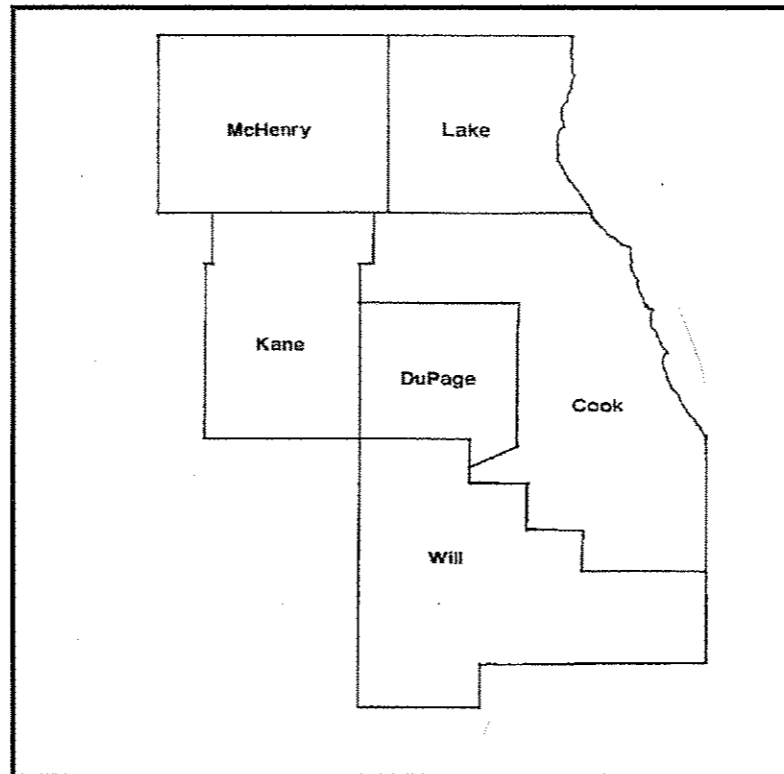
PROPOSED HIGHWAY PLANS

ROUTE: VARIOUS
SECTION 2012-081-DTR
DEAD TREE REMOVAL
COOK & DUPAGE COUNTIES
C-91-104-13



LOCATION OF IMPROVEMENT INDICATED THUS: 

**IMPROVEMENT IS IN VARIOUS
LOCATIONS WITHIN COOK &
DUPAGE COUNTIES**



STATE OF ILLINOIS
DEPARTMENT OF TRANSPORTATION
DIVISION OF HIGHWAYS

SUBMITTED: November 2, 2012
John F. Turman
DEPUTY DIRECTOR OF HIGHWAYS, REGION ENGINEER

Dec 7, 2012
John D. Baranzelli, P.E.
acting ENGINEER OF DESIGN AND ENVIRONMENT

Dec 7, 2012
William R. Frey, Jr.
acting DIRECTOR OF HIGHWAYS, CHIEF ENGINEER

**PRINTED BY THE AUTHORITY
OF THE STATE OF ILLINOIS**

J.U.L.I.E.: JOINT UTILITY LOCATION
INFORMATION FOR EXCAVATION
(800) 892-0123 OR 811

DISTRICT ONE BUREAU OF MAINTENANCE: J. STUMPNER
MAINTENANCE LANDSCAPE DESIGNER: R. WANNER / T. JACKSON (847) 705-4171

CONTRACT 60V91

ROUTE	SECTION	COUNTY	TOTAL SHEETS	SHEET NUMBER
VARIOUS	2012-081 DTR	COOK/DUPAGE	6	2

CONTRACT 60V91

INDEX OF SHEETS

- 1) COVER SHEET
- 2) INDEX OF SHEETS, STATE STANDARDS, GENERAL NOTES
- 3) SUMMARY OF QUANTITIES
- 4) SAMPLE STANDARD WORK ORDER
- 5) SAMPLE EXPEDITED WORK ORDER
- 6) TC-17 TRAFFIC CONTROL DETAIL FOR FREEWAY SHOULDER CLOSURES AND PARTIAL RAMP CLOSURES

STATE STANDARDS

701001-02 701006-04 701101-03 701106-02 701201-04

701301-04 701421-05 701501-06 701601-08 701901-03

GENERAL NOTES

TREE REMOVAL, ACRE includes removal of trees, shrubs, bushes, saplings, logs, other vegetation, and stumps of a diameter less than 6 inches. All trees and other stumps within the Right of way shall be removed to a depth of not less than **6 inches** below the elevation of the subgrade, the finished earth surface, or the ground line.

TREE REMOVAL 6-15 & over 15 inches will not require removal of stumps.

ILLINOIS DEPARTMENT OF TRANSPORTATION

INDEX OF SHEETS

DEAD TREE REMOVAL

ROUTE	SECTION	COUNTY	TOTAL SHEETS	SHEET NUMBER
VARIOUS	2012-081 DTR	COOK/DUPAGE	6	3

CONTRACT 60V91

SUMMARY OF QUANTITIES

PAY ITEM	DESCRIPTION	UNIT	0031		TOTAL
			COOK CO.	DuPage Co.	
20100110	TREE REMOVAL (6 TO 15 UNITS DIAMETER)	UNIT	3000	3000	6000
20100210	TREE REMOVAL (OVER 15 UNITS DIAMETER)	UNIT	3750	3750	7500
20100500	TREE REMOVAL, ACRES	ACRE	2	2	4
20101300	TREE PRUNING (1 TO 10 INCH DIAMETER)	EACH	15	15	30
20101350	TREE PRUNING (OVER 10 INCH DIAMETER)	EACH	15	15	30
67100100	MOBILIZATION	L SUM	0.5	0.5	1
X0325222	WEED CONTROL, BASAL TREATMENT	GALLON	25	25	50
X2010100	TREE LIMB REMOVAL (4 TO 10 INCHES DIAMETER)	EACH	30	30	60
X2010200	TREE LIMB REMOVAL (OVER 10 INCHES DIAMETER)	EACH	30	30	60
X2010310	TREE REMOVAL (SPECIAL)	UNIT	200	200	400
X2010400	STUMP REMOVAL ONLY	UNIT	250	250	500
Z0064800	SELECTIVE CLEARING	UNIT	20	20	40

FORMAL CONTRACTS FUND


100% STATE

ILLINOIS DEPARTMENT OF TRANSPORTATION
 SUMMARY OF QUANTITIES
 DEAD TREE REMOVAL

Rev.

ROUTE	SECTION	COUNTY	TOTAL SHEETS	SHEET NUMBER
VARIOUS	2012-081 DTR	COOK/DUPAGE	6	5

CONTRACT 60V91

 Illinois Department of Transportation	Tree Removal Work Order Number:
	ID Number:

EXPEDITED REMOVAL

Date: _____ Time: _____ Contract: **60V91**

Cook	DuPage		Work Order Prepared By	Team Section

Marked Route: _____ Municipality: _____ Side of Road: _____

Location: _____

Tree tape was used to measure the diameter of the trees.

PAY ITEM	TREE #	QUANTITY	24 HOUR	48 HOUR	TOTAL
			3X	2.5X	
LIMB REMOVAL (EACH) 4"-10"					
			3X	2.5X	
LIMB REMOVAL (EACH) >10"					
			2X	1.5X	
TREE REMOVAL (UNITS) 6"-15"					
			2X	1.5X	
TREE REMOVAL (UNITS) >15"					

Special Instructions _____

Reason for removal: _____

AUTHORIZATION OF WORK	
Resident Engineer/Technician Signature	
Date/Time work order issued	Contractor Initials

CERTIFICATION OF COMPLETED WORK	
Contractor Signature	
Date/Time work order completed	

OFFICE USE ONLY		
Measured in Place by:	Initials(s)	Date
Calculated by:	_____	_____
Checked by:	_____	_____

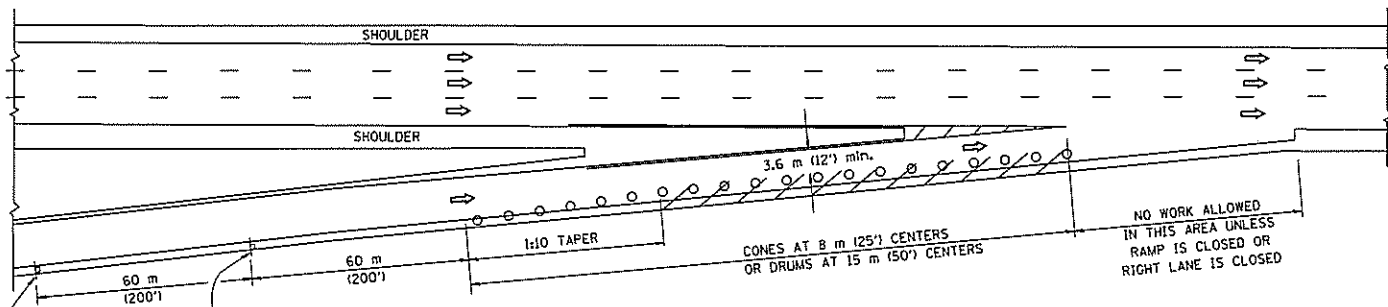
INSPECTION AND ACCEPTANCE OF COMPLETED WORK	
Inspector Signature	
Date work order Inspected and Accepted	
This is to certify that the work order has been completed.	

ILLINOIS DEPARTMENT OF TRANSPORTATION
SAMPLE EXPEDITED WORK ORDER
 DEAD TREE REMOVAL

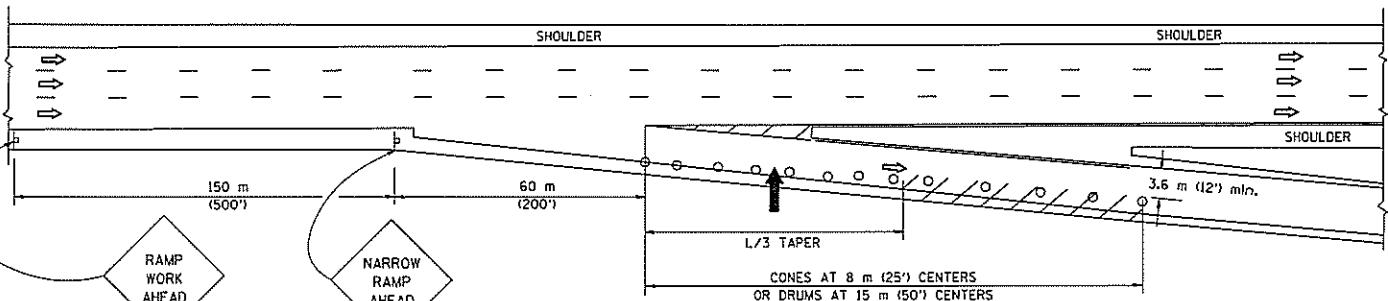
PARTIAL RAMP CLOSURE DETAILS

SHOULDER CLOSURE DETAILS

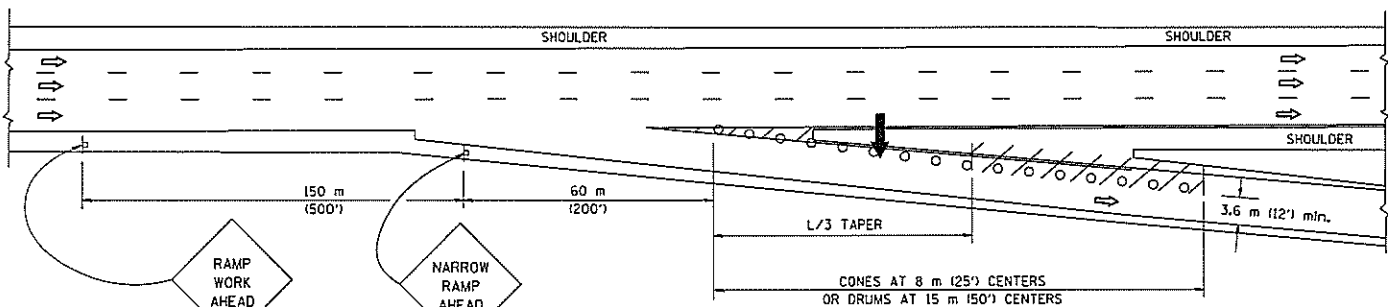
F.A. RTE.	SECTION	COUNTY	TOTAL SHEETS	SHEET NO.
2012-05101-48	VAR	6	6	6
STA.	TO STA.			
FED. ROAD DIST. NO.	ILLINOIS	FED. AID PROJECT		



TYPICAL ENTRANCE RAMP



TYPICAL EXIT RAMP



TYPICAL EXIT RAMP

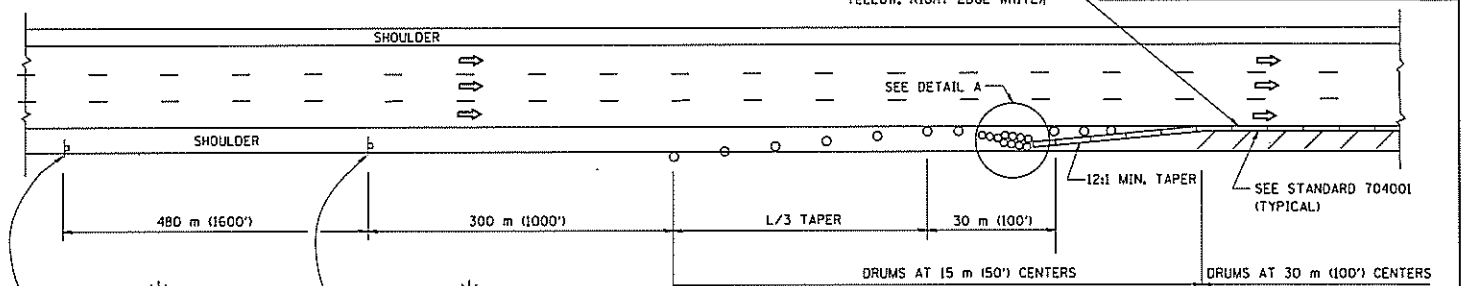
SYMBOLS

- ARROWBOARD
- WORK AREA
- SIGN ON PORTABLE OR PERMANENT SUPPORT
- FLAGGER WITH CONTROL SIGN
- DRUM WITH MONO-DIRECTIONAL STEADY BURNING LIGHT
- CONES - 700 (28) IN HEIGHT

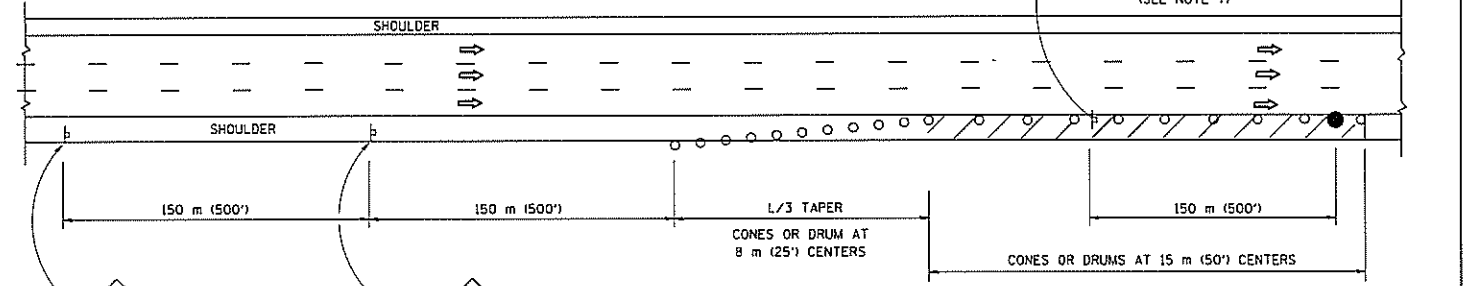
GENERAL NOTES

- THE "L" DISTANCE EQUALS:

SPEED LIMIT	FORMULAS
80 km/h (45 mph) OR GREATER:	METRIC: $L=0.65(W/S)$ ENGLISH: $L=(W/S)$
W = WIDTH OF OFFSET IN METERS (FEET)	S = NORMAL POSTED SPEED KM/H (MPH)
- PLASTIC DRUMS WITH HIGH PERFORMANCE REFLECTIVE SHEETING AND STEADY BURNING LIGHTS ARE REQUIRED FOR ALL NIGHTTIME CLOSURES.
- ALL SIGNS SHALL BE POST MOUNTED IF THE CLOSURE TIME EXCEEDS FOUR DAYS.
- FLASHING LIGHTS SHALL BE USED DURING THE HOURS OF DARKNESS AND SHALL BE INSTALLED ABOVE THE FIRST TWO SETS OF SIGNS.



PERMANENT SHOULDER CLOSURE



DAYTIME SHOULDER CLOSURE

THIS DETAIL IS USED WHERE:
 1. VEHICLES, EQUIPMENT, WORKERS OR THEIR ACTIVITIES ENCROACH IN AN AREA CLOSER THAN 4.5 m (15') TO THE EDGE OF PAVEMENT FOR A PERIOD IN EXCESS OF 15 MINUTES.

ARRAY DESIGN PER MANUFACTURER TO BE NCHRP 350 COMPLIANT FOR POSTED SPEED.

DETAIL "A"
 IMPACT ATTENUATOR, TEMPORARY
 (SEE NOTE 5)

REVISIONS	
NAME	DATE
DWS	11/96
JAF	12/02
NCHRP 350	04/03
JAF	2/06

ALL DIMENSIONS ARE IN MILLIMETERS (INCHES) UNLESS OTHERWISE SHOWN.

ILLINOIS DEPARTMENT OF TRANSPORTATION
 TRAFFIC CONTROL DETAILS
 FOR FREEWAY
 SHOULDER CLOSURES
 PARTIAL RAMP CLOSURES

SCALE: NONE
 DATE: 3/1/2006
 DESIGNED BY: DWS
 DRAWN BY:
 CHECKED BY:
 TC-17