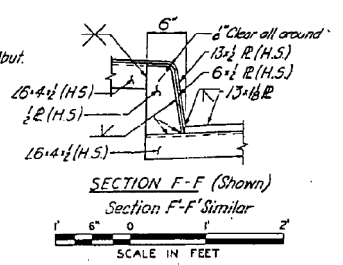
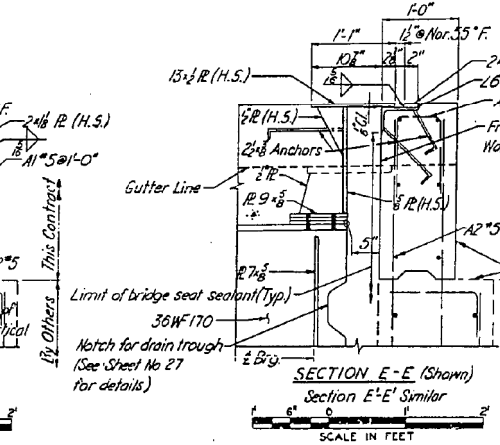
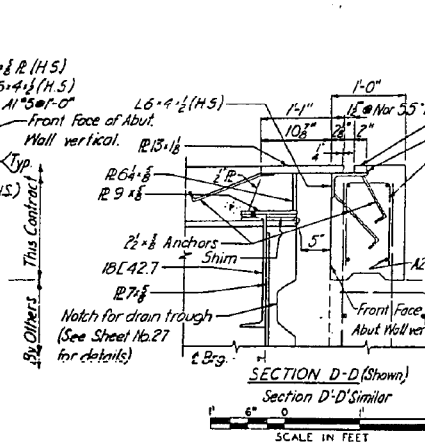
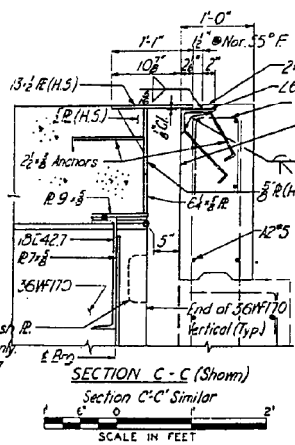


NOTES:
 For General Notes and Design Criteria, see Sheet No. 3.
 Expansion Dam shall be shop assembled to correct grade and slope and match marked.
 Details not shown for Illinois Abutment are similar to those of the Iowa Abutment.
 For Drainage Trough Details, see Sheet No. 27.
 Material noted as 'H.S.' shall be Low Alloy High Strength Steel, A.S.T.M. A441-63T. Material not otherwise noted shall conform to A.S.T.M. A36-62T.



IOWA STATE HIGHWAY COMMISSION
 AND ILLINOIS DIVISION OF HIGHWAYS
 INTERSTATE BRIDGE
 OVER MISSISSIPPI RIVER AT LE CLAIRE, IOWA
 CONTRACT NO. 2 - SUPERSTRUCTURE
 ABUTMENT EXPANSION DAMS

SCALE IN FEET
 MODJESKI & MASTERS, ENGINEERS
 MAY 1964 SHEET NO. 22 OF 41

0221 601 13374 13042 17745

Project No. I-80-B(31) 310 Design No. 163A Scott County File No. 21704

DESIGNED VHV	EXAMINED Timothy A. Dredt	DATE OCTOBER 12, 2012
CHECKED DAB	ACTING ENGINEER OF STRUCTURAL SERVICES	
DRAWN baliva	PASSED Carl Kruger	
CHECKED VHV DAB	ACTING ENGINEER OF BRIDGES AND STRUCTURES	

STATE OF ILLINOIS
 DEPARTMENT OF TRANSPORTATION

FOR INFORMATION ONLY
 SN 081-0011

SHEET 19 OF 42 SHEETS

F.A. RTE.	SECTION	COUNTY	TOTAL SHEETS	SHEET NO.
80 D2	BRIDGE PAINTING 2012-2	ROCK ISLAND	46	23
CONTRACT NO. 64H81			ILLINOIS FED. AID PROJECT	