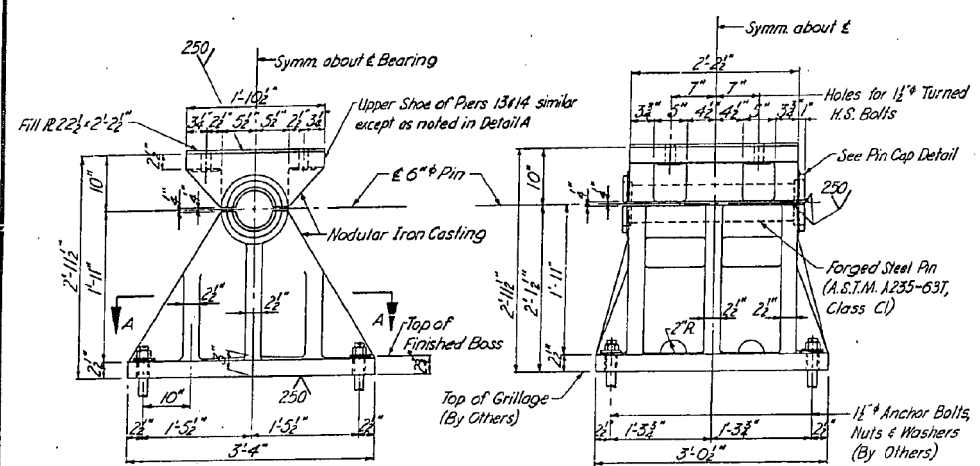
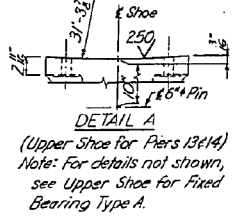
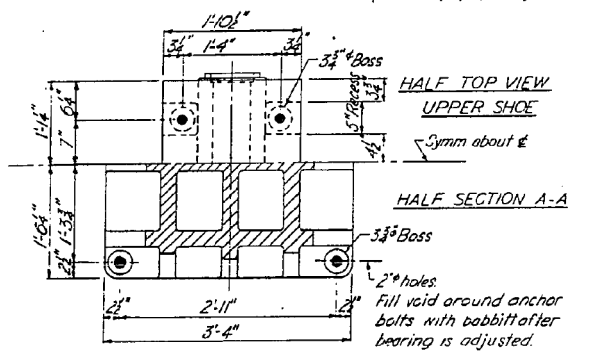


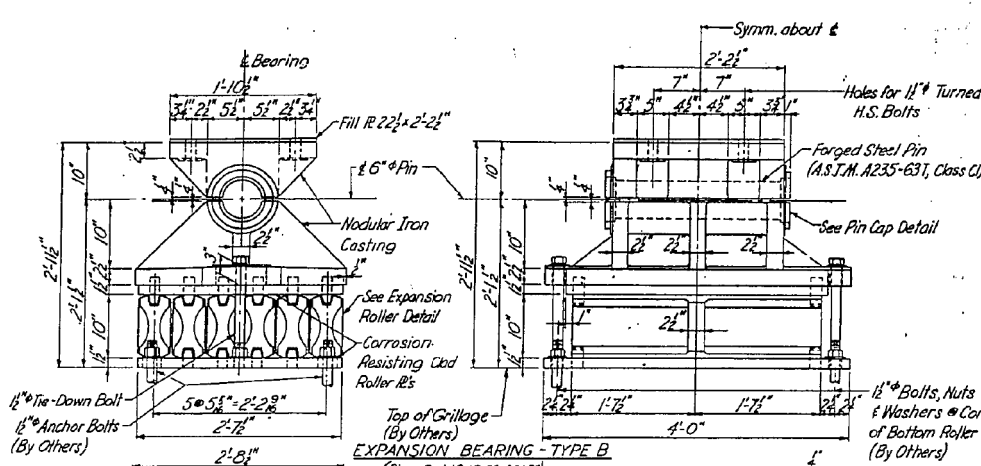
DATE	BY	NO.	DATE	BY	NO.	TOTAL SHEETS
5	IOWA	4008330	24		41	



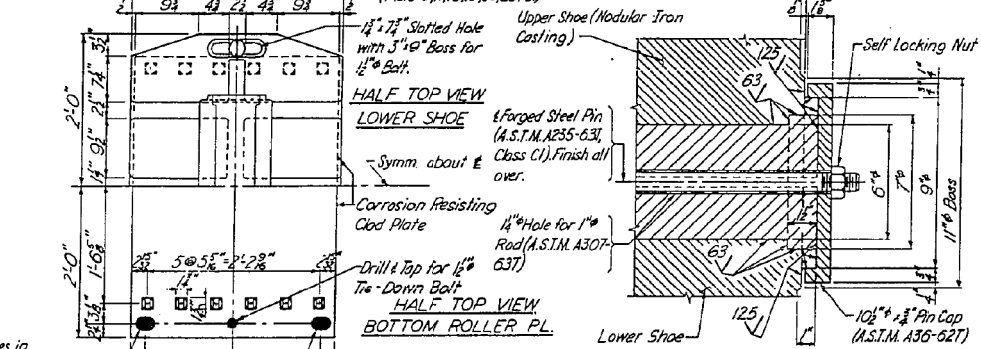
FIXED BEARING - TYPE A
(Piers 10, 13, 14, 17 & 21)



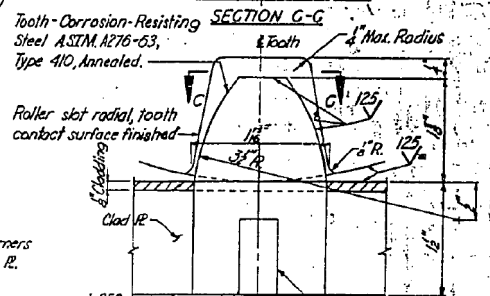
DETAIL A
(Upper Shoe for Piers 13,14)
Note: For details not shown, see Upper Shoe for Fixed Bearing Type A.



EXPANSION BEARING - TYPE B
(Piers 9, 11, 15, 19, 20, 22 & 23)

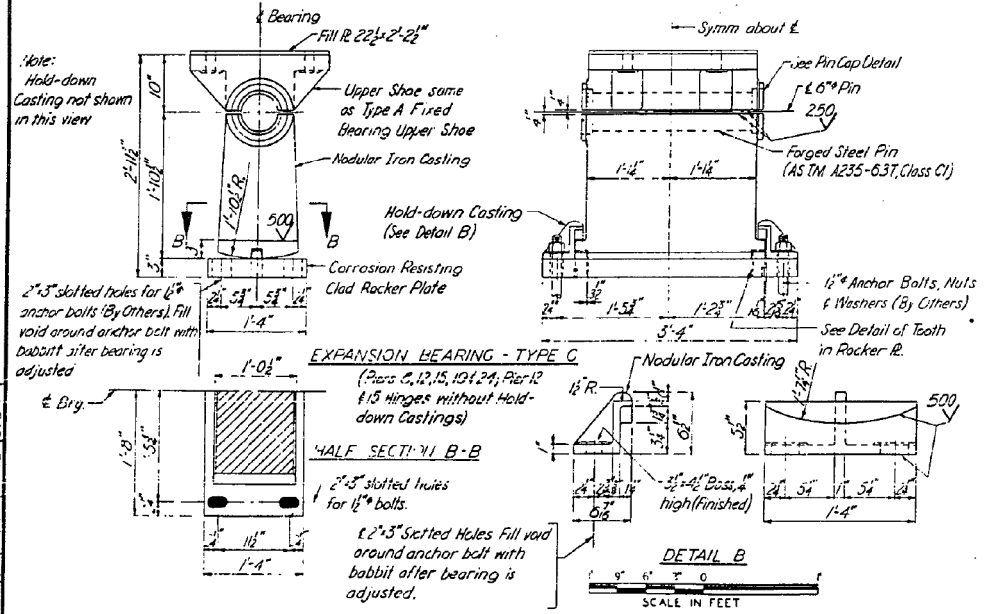


2\"/>



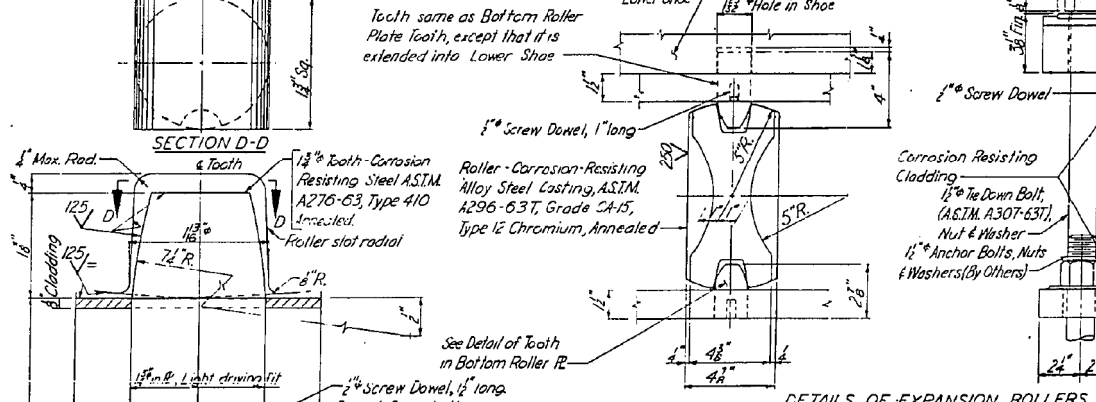
DETAILS OF TOOTH IN BOTTOM ROLLER PLATE

SCALE IN INCHES



EXPANSION BEARING - TYPE C
(Piers 2, 12, 15, 19 & 24; Pier 12 & 15 Hinges without Hold-down Castings)

Note: Hold-down Casting not shown in this view



DETAILS OF EXPANSION ROLLERS

NOTES

For General Notes see Sheet No. 3
 Roller plates and top and bottom roller plates shall conform to A.S.T.M. A263-63 for corrosion-resisting chromium steel clad plate. Cladding shall be 1/8\"/>

IOWA STATE HIGHWAY COMMISSION AND ILLINOIS DIVISION OF HIGHWAYS
 INTERSTATE BRIDGE OVER MISSISSIPPI RIVER AT LE CLAIRE, IOWA
 CONTRACT NO. 2 - SUPERSTRUCTURE

BEARINGS - I

SCALE IN FEET, UNLESS NOTED
 MODJESKI & MASTERS, ENGINEERS

MAY 1964

SHEET NO. 24 OF 41

Project No: I-80-B(31)310 Design No: 163A Scott County File No: 21704

DESIGNED	VHV	EXAMINED	Timothy A. [Signature]	DATE	OCTOBER 12, 2012
CHECKED	DAB	PASSED	[Signature]		
DRAWN	baliva				
CHECKED	VHV DAB				

STATE OF ILLINOIS
 DEPARTMENT OF TRANSPORTATION

FOR INFORMATION ONLY
 SN 081-0011

SHEET 21 OF 42 SHEETS

F.A. RTE.	SECTION	COUNTY	TOTAL SHEETS	SHEET NO.
80	D2 BRIDGE PAINTING 2012-2	ROCK ISLAND	46	25
CONTRACT NO. 64H81			ILLINOIS FED. AID PROJECT	