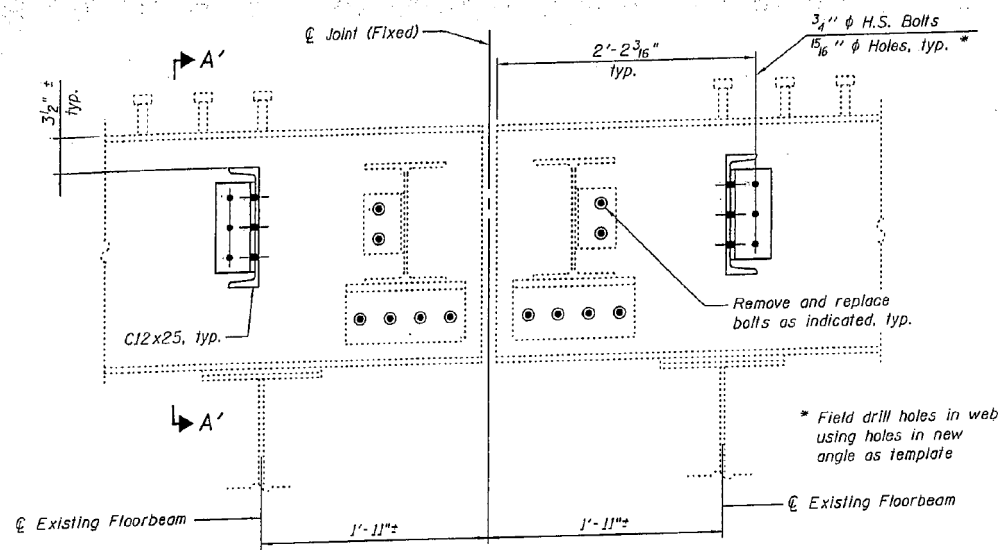
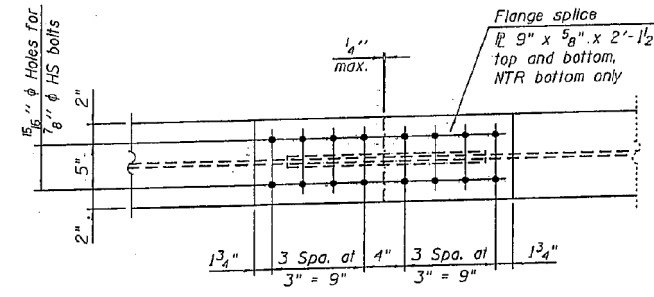


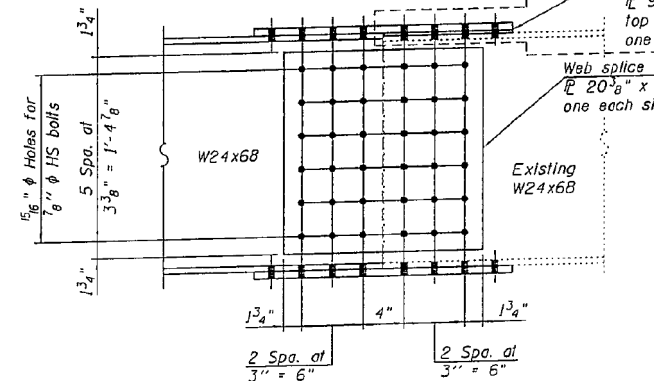
STATE OF ILLINOIS
DEPARTMENT OF TRANSPORTATION



DIAPHRAGM AT PIER 14 HINGE
STRINGER LINES 3 AND 6

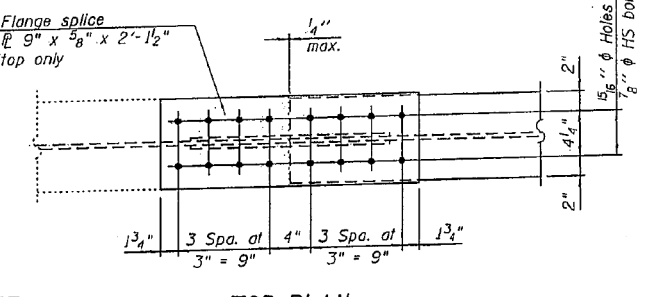


PLAN

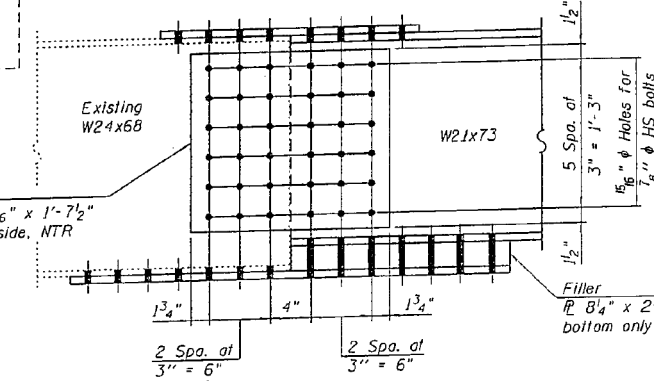


ELEVATION

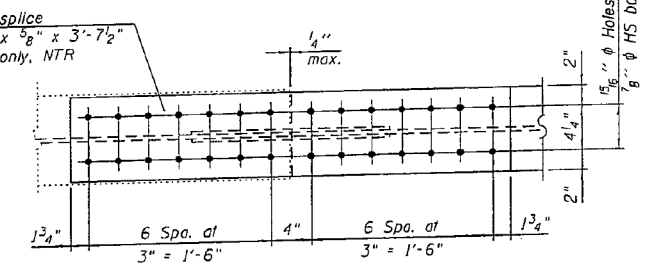
SPLICE S1 DETAIL
148 Required



TOP PLAN

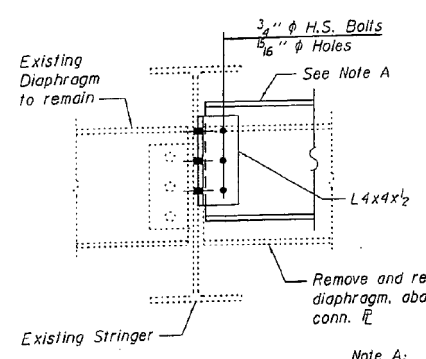


ELEVATION

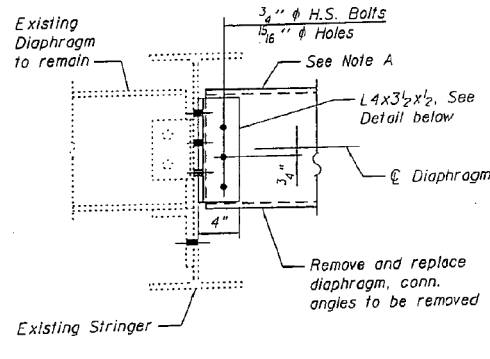


BOTTOM PLAN

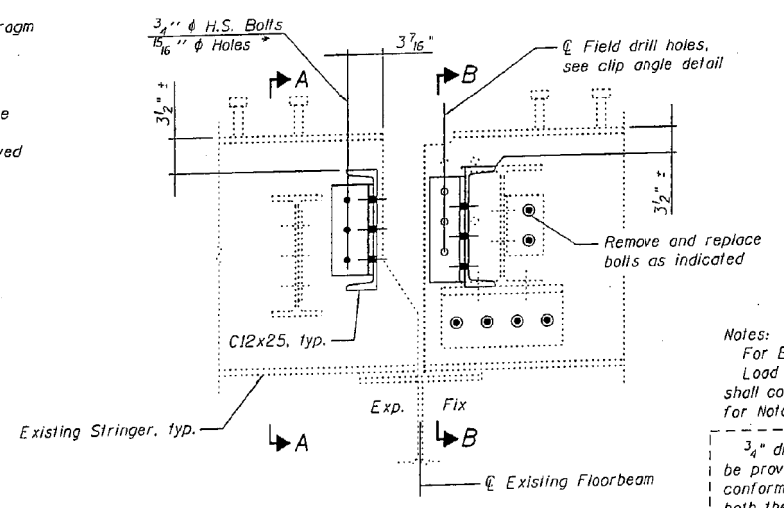
SPLICE S2 DETAIL
100 Required



SECTION A-A
Shown
SECTION A'-A'
Similar



SECTION B-B



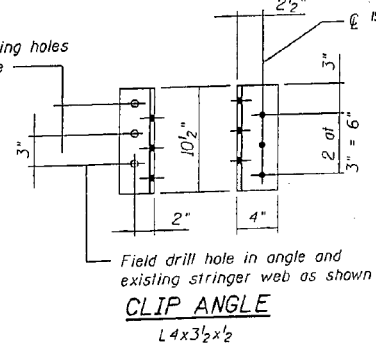
DIAPHRAGM CONNECTION AT RELIEF JOINT
STRINGER LINES 3 AND 6

Detail does not include the following locations:
Span 13, Floorbeam FB3, Stringer Line 6
Span 13, Floorbeam FB7, Stringer Line 6
Span 16, Floorbeam FB5, Stringer Line 6
For these locations see Sheet No. 14A for detail.

Notes:
For Bill of Material, see Sheet No. 11 of 33.
Load carrying components designated "NTR" shall conform to the supplemental requirement for Notch Toughness, Zone 2.
3/4" dia. H.S. bolts (in 1 5/16" dia. holes) shall be provided with two hardened washers conforming to ASTM F436 installed under both the head and the nut.

STRINGER END REPAIR DETAILS - 4
I-80 OVER
MISSISSIPPI RIVER
STRUCTURE NO. 081-0011

DESIGNED	YSS
CHECKED	ACK
DRAWN	PRC
CHECKED	YSS



CLIP ANGLE

SHEET NO. 14 33 SHEETS	F.A.I. RTE.	SECTION	COUNTY	TOTAL SHEETS	SHEET NO.
	80	(81-18)M-4	ROCK ISLAND	46	34
SN 081-0011			CONTRACT NO. 64F31		
FED. ROAD DIST. NO. 7 ILLINOIS FED. AID PROJECT					

Construction Change 02/17/11 P.R.C.

DESIGNED	VHV	EXAMINED	Timothy A. [Signature]	DATE	OCTOBER 12, 2012
CHECKED	DAB	PASSED	[Signature]		
DRAWN	baliva				
CHECKED	VHV DAB				

STATE OF ILLINOIS
DEPARTMENT OF TRANSPORTATION

FOR INFORMATION ONLY
SN 081-0011

SHEET 30 OF 42 SHEETS

F.A.I. RTE.	SECTION	COUNTY	TOTAL SHEETS	SHEET NO.
80	D2 BRIDGE PAINTING 2012-2	ROCK ISLAND	46	34
ILLINOIS FED. AID PROJECT			CONTRACT NO. 64H81	