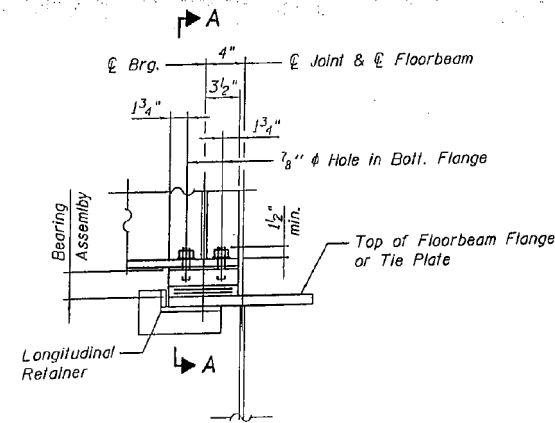


STATE OF ILLINOIS
DEPARTMENT OF TRANSPORTATION

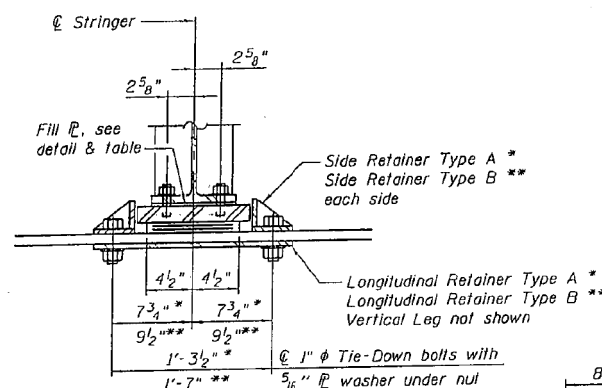


ELEVATION AT RELIEF JOINT

Adjacent stringer and fixed bearing not shown for clarity.

TABLE OF FILL P's

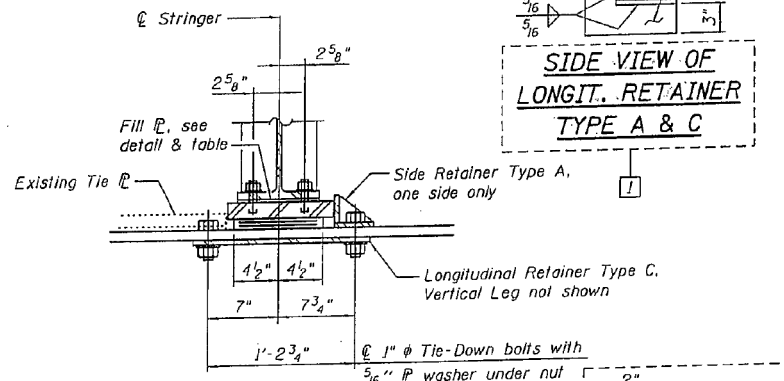
LOCATION	GDR. SPAN	STRINGER NO.	"#"	NOMINAL SHIM
Relief Joint Exp. Side	Single	1, 2, 7 & 8	3/16"	---
	Double	1 & 8	1/8"	Req'd.
	Double	2 & 7	3/16"	---



SECTION A-A

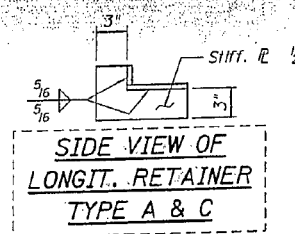
* Stringer Lines 1 and 8 - All Girder Spans
** Stringer Lines 2 and 7 - Double Girder Spans only

TYPE I ELASTOMERIC EXP. BRG.

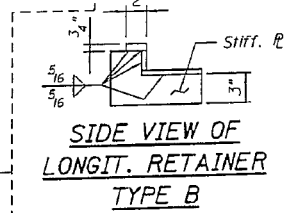


SECTION A-A

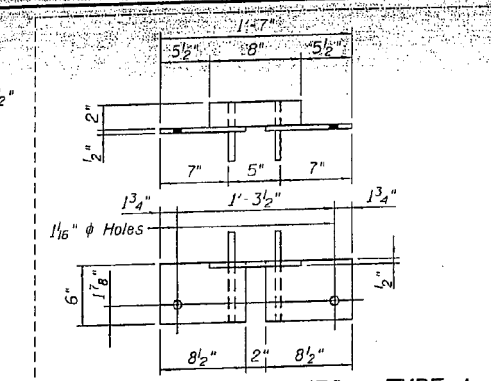
Stringer Lines 2 and 7 - Single Girder Spans only



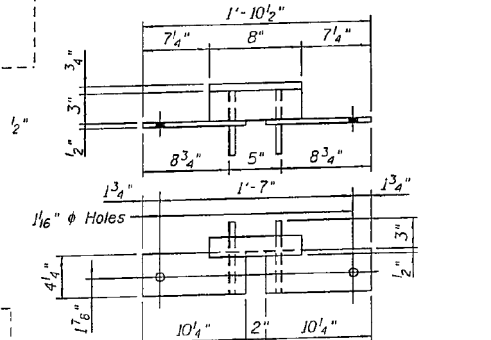
**SIDE VIEW OF
LONGIT. RETAINER
TYPE A & C**



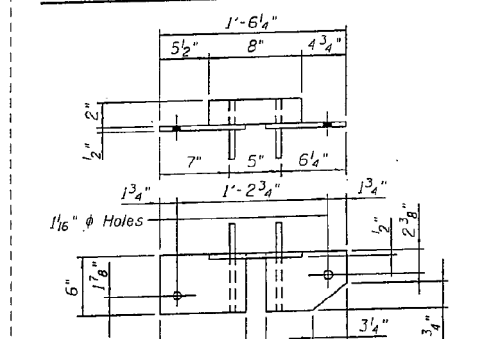
**SIDE VIEW OF
LONGIT. RETAINER
TYPE B**



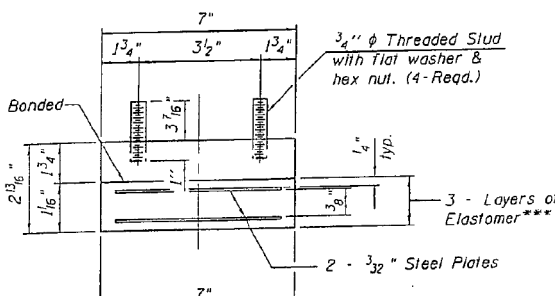
LONGITUDINAL RETAINER - TYPE A



LONGITUDINAL RETAINER - TYPE B



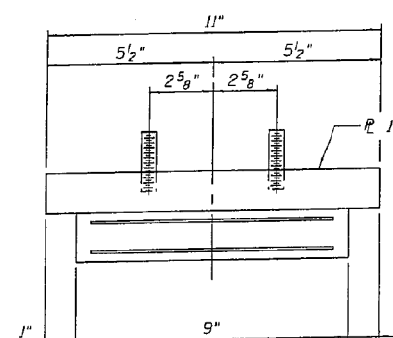
LONGITUDINAL RETAINER - TYPE C



SIDE VIEW

*** Elastomer shall have a specified shear modulus equal to 0.175ksi. The measured shear modulus shall lie with 15% of the specified value. Elastomer with minimum low-temperature Grade 3 is required.

Note:
Shim plates shall not be placed under Bearing Assembly.

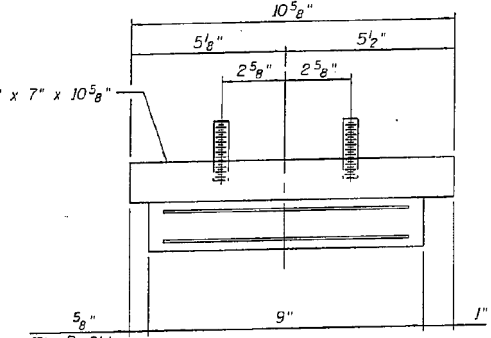


ELEVATION

Stringer Lines 1 and 8 - All Girder Spans
Stringer Lines 2 and 7 - Double Girder Spans only

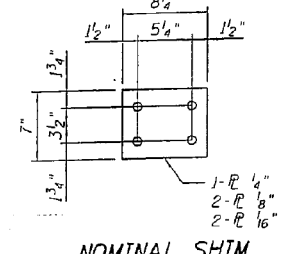
BEARING ASSEMBLY DETAILS

Note: Not to scale.



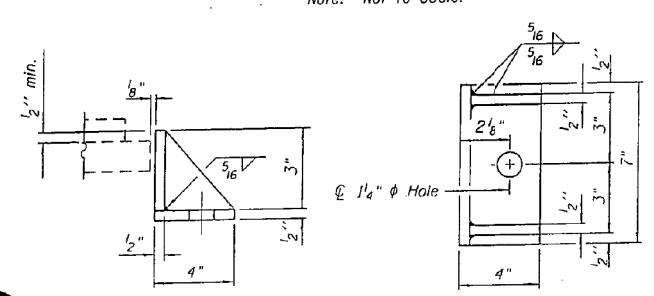
ELEVATION

Stringer Lines 2 and 7 - Single Girder Spans only



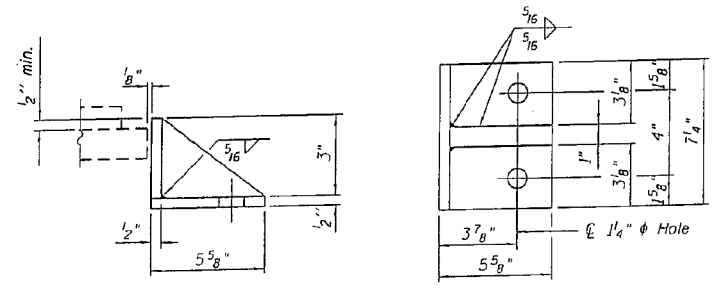
NOMINAL SHIM

Notes:
Side and longitudinal retainers and steel plates required for the bearing assembly shall be included in the cost of Elastomeric Bearing Assembly, Type I, Special.
Two 1/8" adjusting shims shall be provided for each bearing in addition to all other plates or shims and placed as shown on bearing details.



SIDE RETAINER - TYPE A

Equivalent rolled angle with stiffeners will be allowed in lieu of welded plates.



SIDE RETAINER - TYPE B

Equivalent rolled angle with stiffeners will be allowed in lieu of welded plates.

BILL OF MATERIAL

Item	Unit	Total
Elastomeric Bearing Assembly, Type I (Special)	Each	100

**ELASTOMERIC BEARING ASSEMBLY
I-80 OVER
MISSISSIPPI RIVER
STRUCTURE NO. 081-0011**

DESIGNED	YSS
CHECKED	ACK
DRAWN	PRC
CHECKED	YSS

09/17/09



EXAMINED	<i>Timothy A. Daulton</i>	DATE	OCTOBER 12, 2012
PASSED	<i>Carl Berger</i>		

STATE OF ILLINOIS
DEPARTMENT OF TRANSPORTATION

FOR INFORMATION ONLY
SN 081-0011

SHEET NO. 16	F.A.I. RTE. 80	SECTION (81-18)M-4	COUNTY ROCK ISLAND	TOTAL SHEETS 46	SHEET NO. 36
33 SHEETS	SN 081-0011		CONTRACT NO. 64F31		
FED. ROAD DIST. NO. 7 ILLINOIS FED. AID PROJECT					

Construction Change 02/17/11 P.R.C.

DESIGNED	VHV
CHECKED	DAB
DRAWN	baliva
CHECKED	VHV DAB

F.A.I. RTE. 80	SECTION D2 BRIDGE PAINTING 2012-2	COUNTY ROCK ISLAND	TOTAL SHEETS 46	SHEET NO. 36
CONTRACT NO. 64H81				
ILLINOIS FED. AID PROJECT				