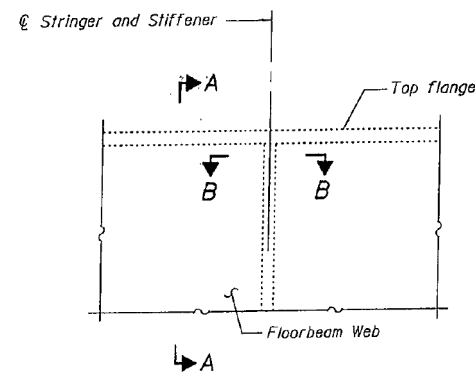
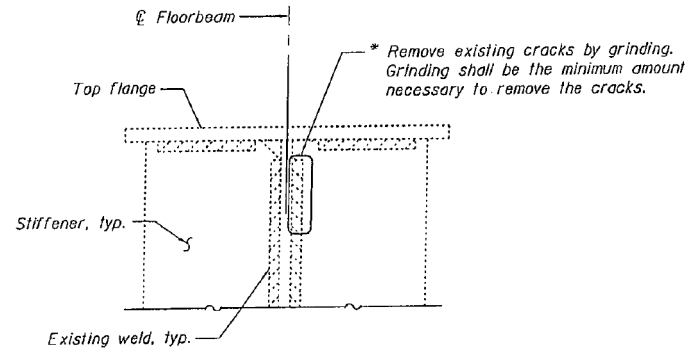


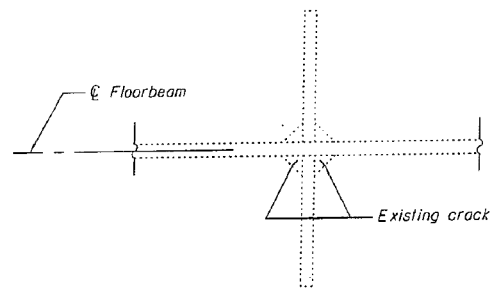
STATE OF ILLINOIS  
DEPARTMENT OF TRANSPORTATION



**ELEVATION**  
Looking North, stringer not shown.



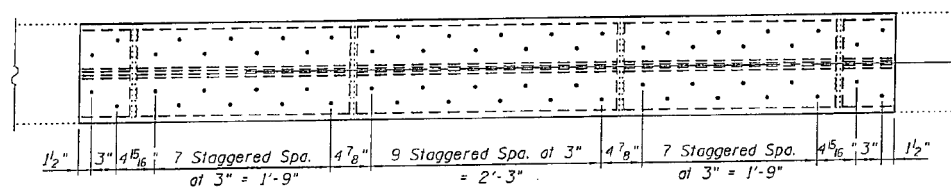
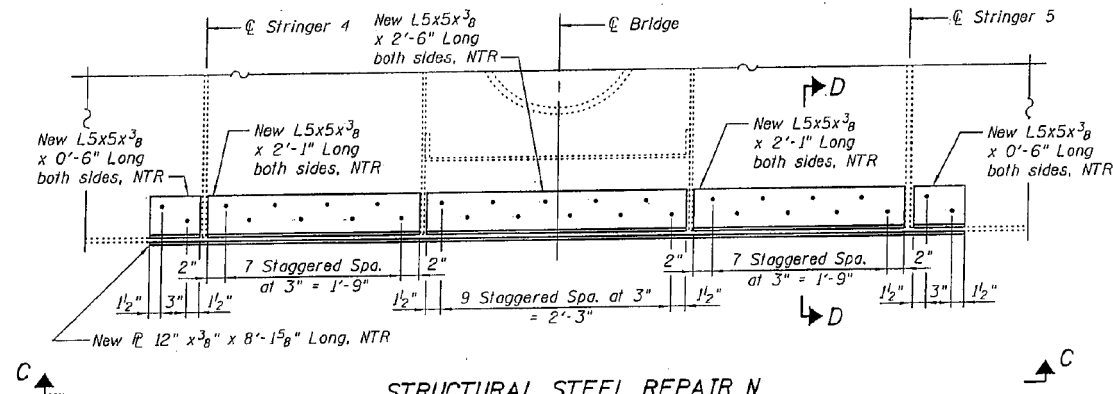
**SECTION A-A**  
Stringer not shown.



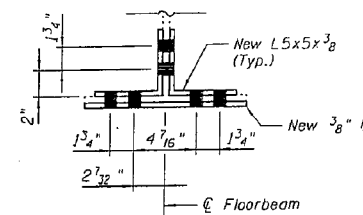
**SECTION B-B**

**STRUCTURAL STEEL REPAIR M**  
**SPAN 14, FLOORBEAM 10, STRINGER 3**

\* Grinding shall be done parallel to the longitudinal axis of the weld. Welds shall be removed by grinding the same distance on either side of the stiffener with the maximum distance required to remove the crack governing. Ground surfaces shall be inspected for cracks using dye penetrant or magnetic particle testing. Any cracks that can not be removed by grinding approximately 1/4" deep into the floorbeam web or 1/8" deep into the stiffener shall be identified and reported to the Bureau of Bridges and Structures for further disposition. Ground surfaces shall meet ANSI surface roughness of 125 or better and be spot cleaned and painted with an aluminum epoxy mastic primer followed by a final coat to match the color of the existing beam. Contractor shall submit his removal procedure to the Engineer for approval prior to beginning work.



**VIEW C-C**



**SECTION D-D**

Notes:  
Gaps between the existing steel and the new steel angles and/or cover plates shall be sealed with an approved polyurethane sealant. The sealant shall be compatible with the proposed paint system and shall be submitted to the Engineer for approval prior to use.  
Grind heels of angles as required for installation.  
Field drill holes in existing floorbeams and new plates using new angles as templates.  
Load carrying components designated "NTR" shall conform to the supplemental requirement for Notch Toughness, Zone 2.

**MISCELLANEOUS STEEL**  
**REPAIR DETAILS - 9**  
**I-80 OVER**  
**MISSISSIPPI RIVER**  
**STRUCTURE NO. 081-0011**

DESIGNED	YSS
CHECKED	DWP
DRAWN	PRC
CHECKED	YSS



02/17/11

SHEET NO. 210	F.A.I. RTE.	SECTION	COUNTY	TOTAL SHEETS	SHEET NO.
33 SHEETS	80	(81-1B)M-4	ROCK ISLAND		
		SN 081-0011	CONTRACT NO. 64F31		
	FED. ROAD DIST. NO. 7 ILLINOIS FED. AID PROJECT				

New Sheet

Construction Change 02/17/11 P.R.C.

DESIGNED	VHV	EXAMINED	Timothy A. [Signature]	DATE	OCTOBER 12, 2012
CHECKED	DAB	PASSED	[Signature]		
DRAWN	baliva				
CHECKED	VHV DAB				

STATE OF ILLINOIS  
DEPARTMENT OF TRANSPORTATION

FOR INFORMATION ONLY  
SN 081-0011

SHEET 40 OF 42 SHEETS

F.A.I. RTE.	SECTION	COUNTY	TOTAL SHEETS	SHEET NO.
80	D2 BRIDGE PAINTING 2012-2	ROCK ISLAND	46	44
			CONTRACT NO. 64H81	
ILLINOIS FED. AID PROJECT				