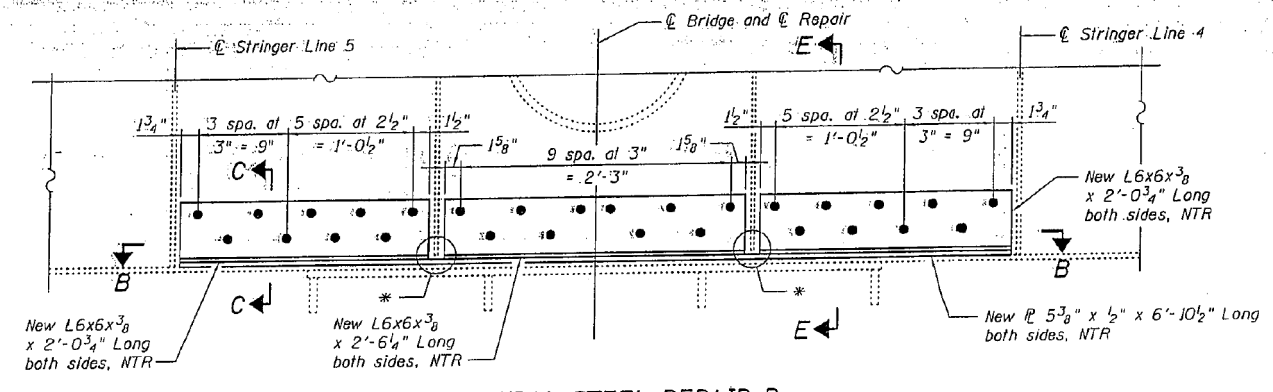
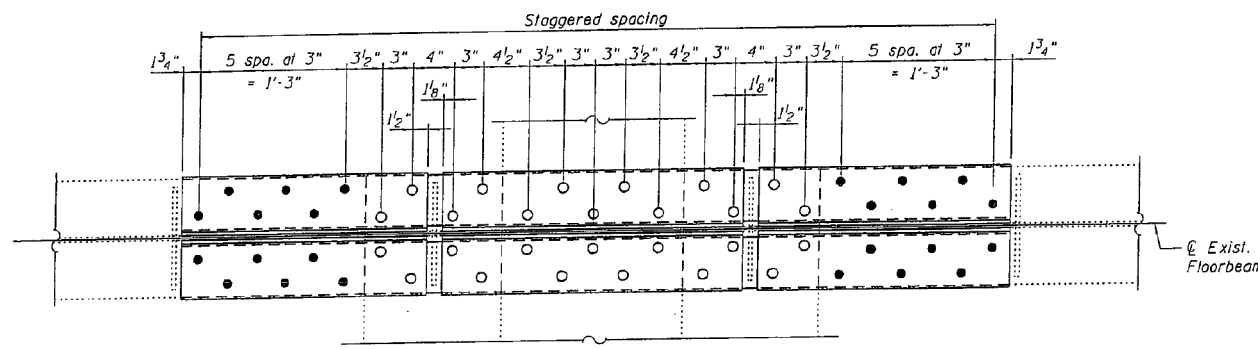


**STRUCTURAL STEEL REPAIR Q**  
**BOTTOM FLANGE - FLOORBEAM 6 AT HINGE 12**  
(Looking South)

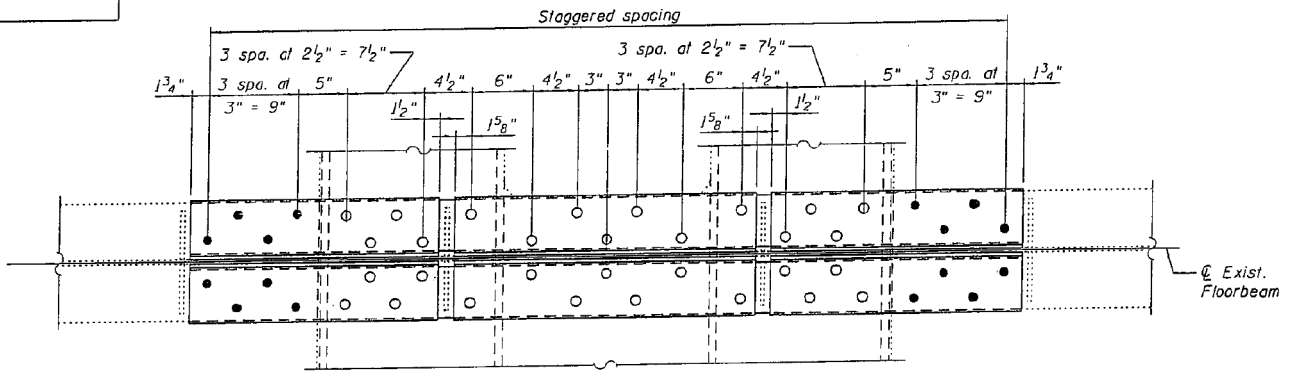


**STRUCTURAL STEEL REPAIR R**  
**BOTTOM FLANGE - FLOORBEAM 7 AT HINGE 12**  
(Looking North)

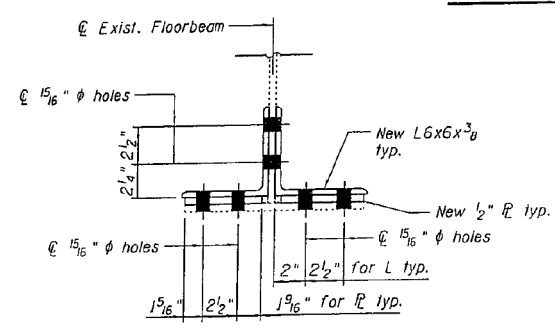
\* Trim existing stiffeners as required to install new plates.



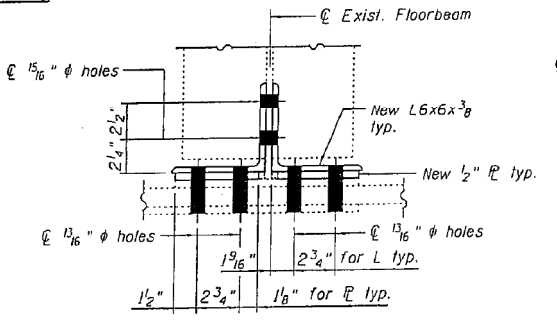
**SECTION A-A**



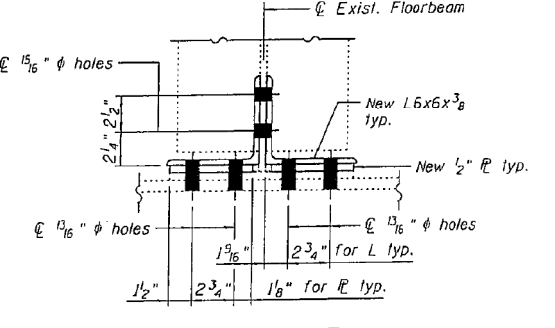
**SECTION B-B**



**SECTION C-C**



**SECTION D-D**



**SECTION E-E**

**LEGEND**

- Bolt for connecting new material and requiring a field drilled hole. Field drill holes in existing material using hole in new material as template to locate.
- Bolt for connecting new material to existing material using existing/new hole. Holes for new material shall be shop drilled 13/16 inch diameter and reamed to 15/16 inch diameter in field.

Notes:  
Staggered ball spacing as shown.  
Install 7/8 inch diameter H.S. A325 bolts.  
Gaps between the existing steel and the new steel angles and/or cover plates shall be sealed with an approved polyurethane sealant. The sealant shall be compatible with the proposed paint system and shall be submitted to the Engineer for approval prior to use.  
Load carrying components designated "NTR" shall conform to the supplemental requirement for Notch Toughness, Zone 2.

**MISCELLANEOUS STEEL REPAIR DETAILS - 12**  
**I-80 OVER**  
**MISSISSIPPI RIVER**  
**STRUCTURE NO. 081-0011**

DESIGNED	YSS
CHECKED	DWP
DRAWN	PRC
CHECKED	YSS



02/17/11

SHEET NO. 216 33 SHEETS	F.A.I. RTE.	SECTION	COUNTY	TOTAL SHEETS	SHEET NO.
	80	(81-1B)M-4	ROCK ISLAND		
SN 081-0011			CONTRACT NO. 64F31		
FED. ROAD DIST. NO. 7 ILLINOIS FED. AID PROJECT					

Construction Change 02/17/11 P.R.C.

DESIGNED	VHV	EXAMINED	Timothy A. [Signature]	DATE	OCTOBER 12, 2012
CHECKED	DAB	PASSED	[Signature]		
DRAWN	baliva				
CHECKED	VHV DAB				

F.A.I. RTE.	SECTION	COUNTY	TOTAL SHEETS	SHEET NO.
80	D2 BRIDGE PAINTING 2012-2	ROCK ISLAND	46	46
ILLINOIS FED. AID PROJECT			CONTRACT NO. 64H81	