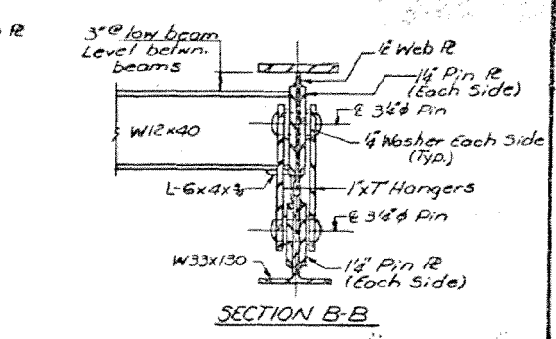
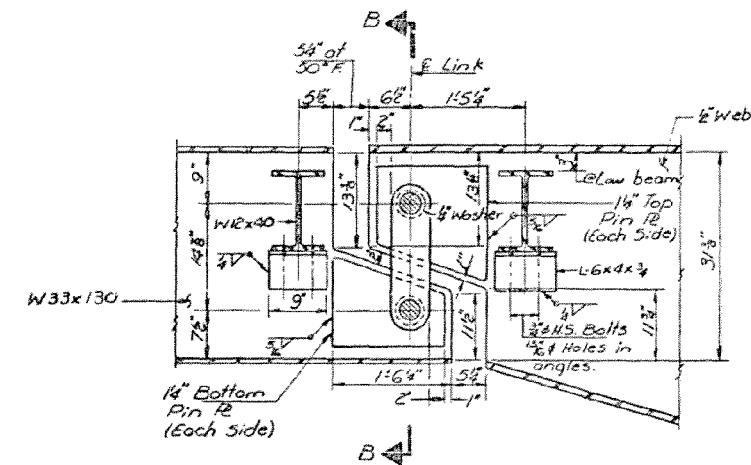
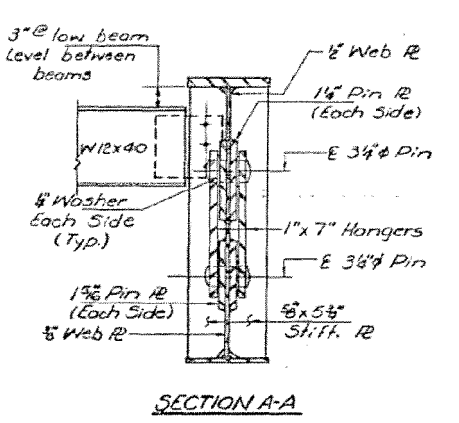
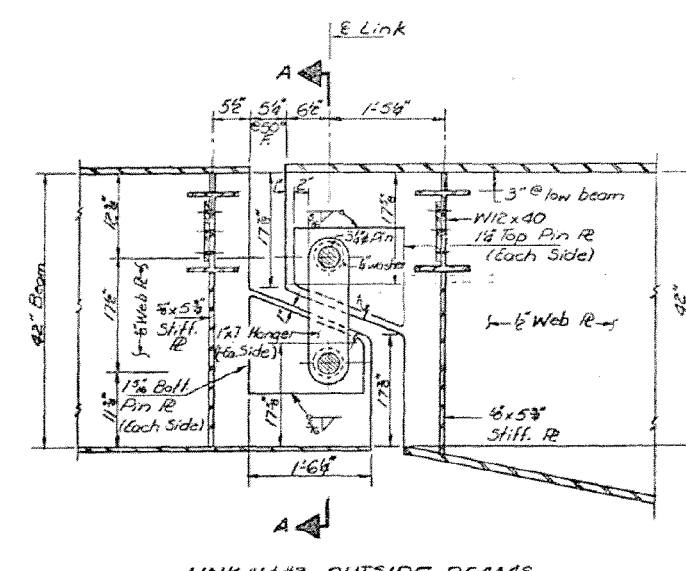
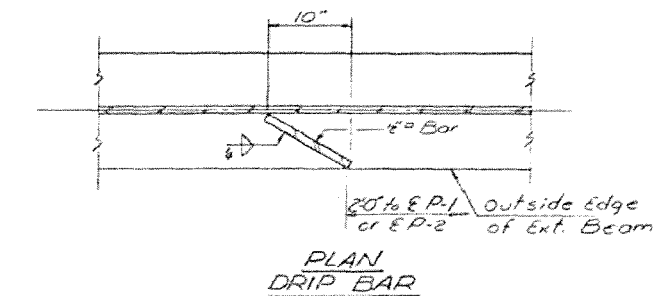
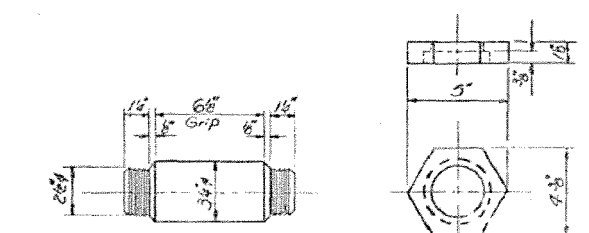
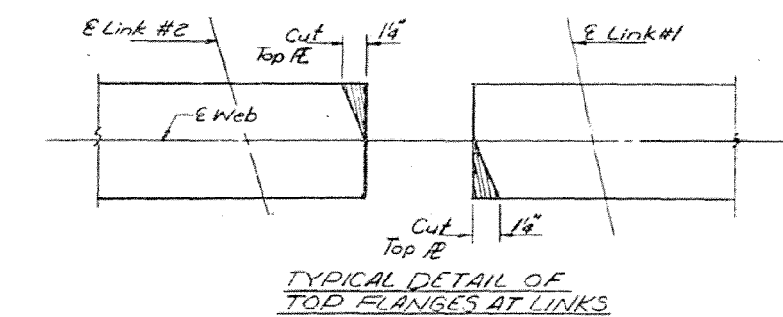
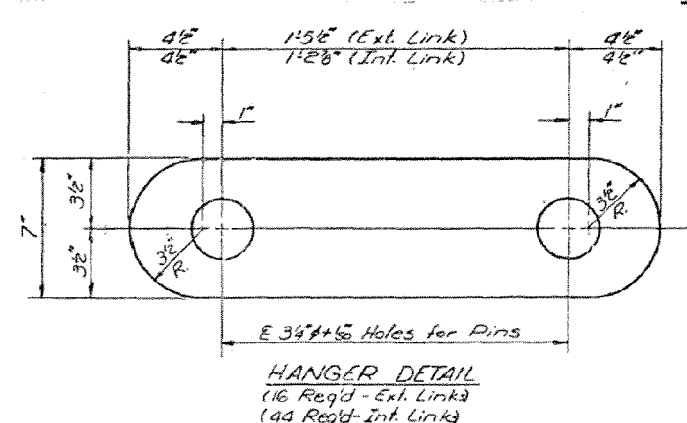
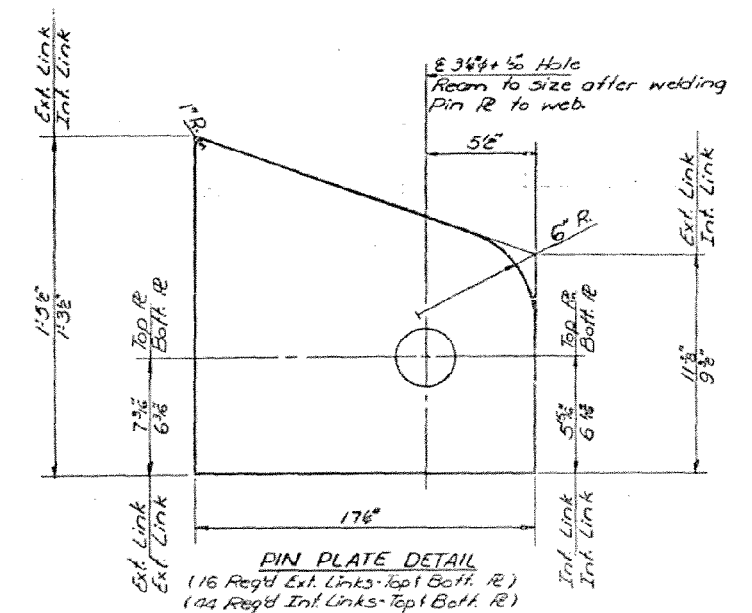


STATE OF ILLINOIS  
DEPARTMENT OF TRANSPORTATION

PROJECT NO.	DISTRICT	COUNTY	TOTAL SHEETS	SHEET NO.	SHEET NO. 21 33 SHEETS
412	58-20 HNB	Macon	75	57	
PROJ. ENG. DATE, REV. 1	DESIGNED BY	DATE			



Note:  
All longitudinal dimensions are given along E Beam.



DESIGNED	Suresh Desai	EXAMINED	[Signature]
CHECKED	John A. Marcus	PASSED	[Signature]
DRAWN	R. Doty	APPROVED	[Signature]
CHECKED	[Signature]		

**PIN DETAIL**  
(60 Required)  
Pin shall be SAE 0620 Steel.  
Heat Treated:  
Case harden except threads.  
Case Depth: .12-.15 inches  
Surface Hardness: 58 HRC

**STRUCTURAL STEEL DETAILS**  
I.A. RT. 412 SEC. 58-20HNB  
MACON COUNTY  
STA. 133+62.06